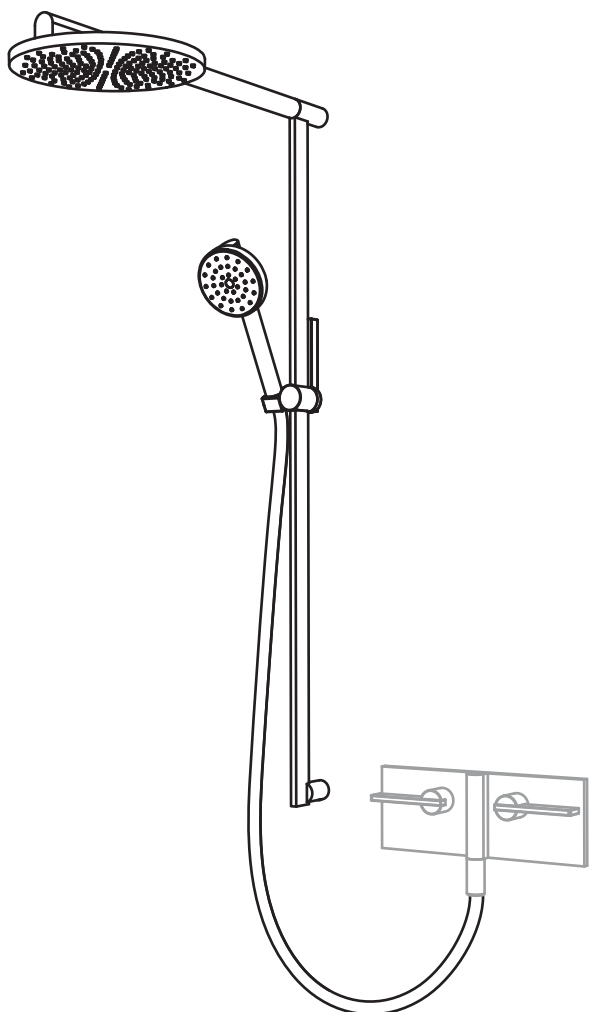


matki | SHOWERING

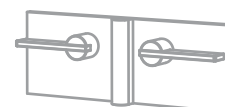
BLADE DESIGN EX29/EX28

INSTALLATION

PARTS LIST



EX29



EX28

MATKI PLC, CHURCHWARD ROAD, YATE, BRISTOL, BS37 5PL
TELEPHONE:01454 322 888 FAX:01454 315 284 EMAIL:techsupport@matki.co.uk

IMPORTANT

TOOLS REQUIRED

Masonry Drill Bit 6mm, Taper Measure, Screw Drivers, Safety Glasses, Electric Drill, Spirit Level, Pencil, Spanner.

Before disposing of carton and/or commencing assembly, please check all the parts to ascertain that none are missing and they are all undamaged. No claim for missing/damaged parts will be accepted once the packing carton has been disposed of and/or assembly has commenced.

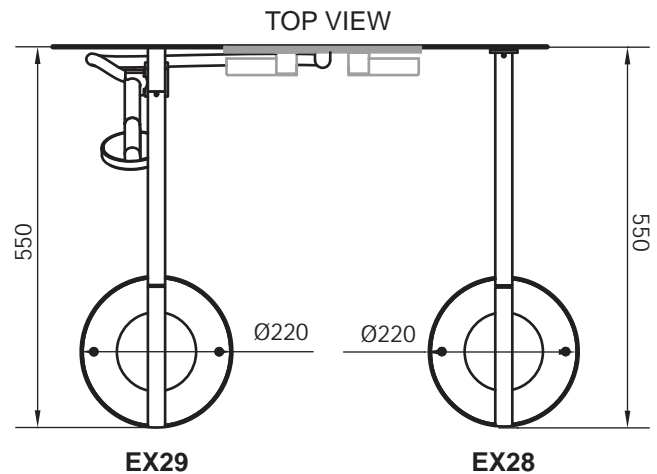
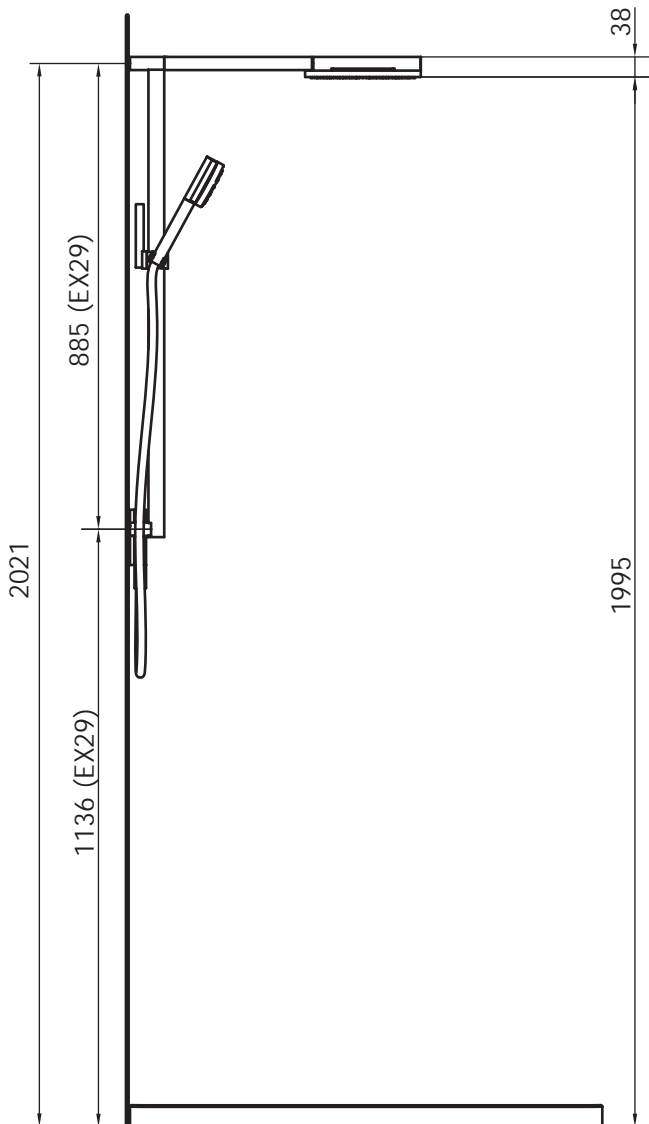
In case of query contact your Stockist with details of model number and details of serial number.

PREPARATION

Please read complete installation instructions before fitting.

CAUTION: POLISHED METAL AND CHROME CAN BE SCRATCHED.

DIMENSIONS



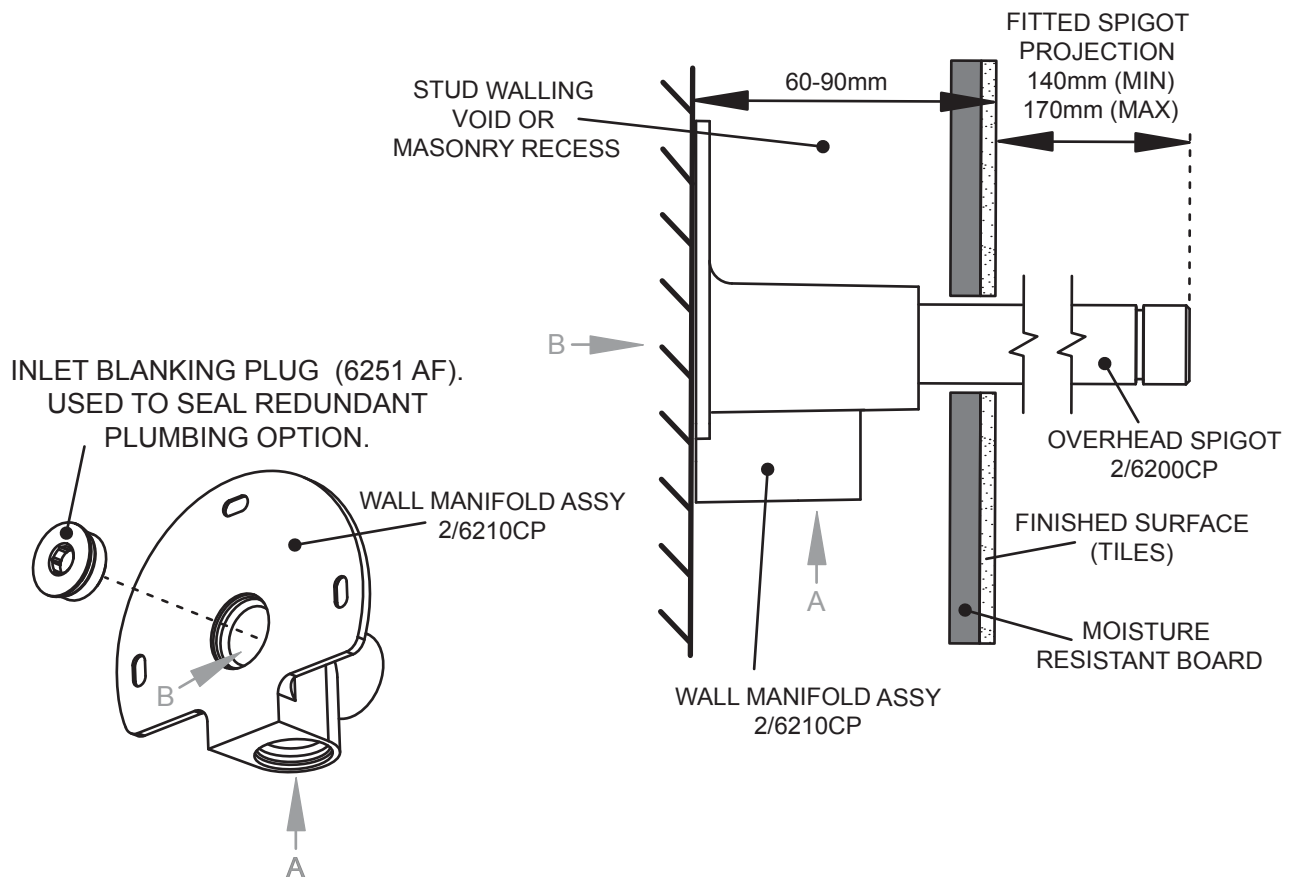
Before plumbing the outlets for the Matki Elixir product you will need to determine the height of the Deluge Shower Head. As a guide the height from the underside of the Shower Head should be approx 1995mm from the floor surface or in line with the top of the Shower Enclosure. Important, for inward opening shower doors ensure the doors do not collide with the Showerheads!

The Deluge Showerhead/Overhead Support Tube and outlet position may need to be raised for a taller person. Ensure that any spray from the Deluge Head will be contained by the Shower Enclosure.

Dimensions are approximate. All dimensions are in mm.

STAGE 1

MANIFOLD SIDE VIEW - MIN/MAX MOUNTING DEPTHS

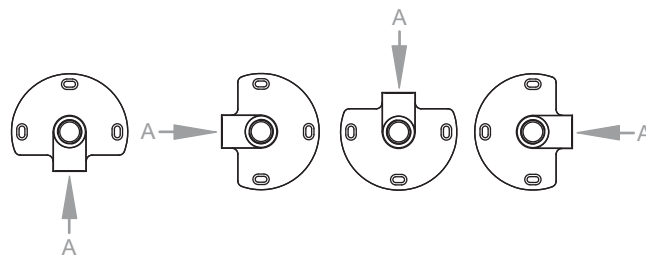


1/2" BSP FEMALE FITTING (PARALLEL)
OPTIONS;

A (FROM BELOW)

B (FROM BEHIND)

ALTERNATIVELY THE MANIFOLD CAN BE
ROTATED 360° FOR PLUMBING FROM
LEFT, RIGHT AND FROM ABOVE.



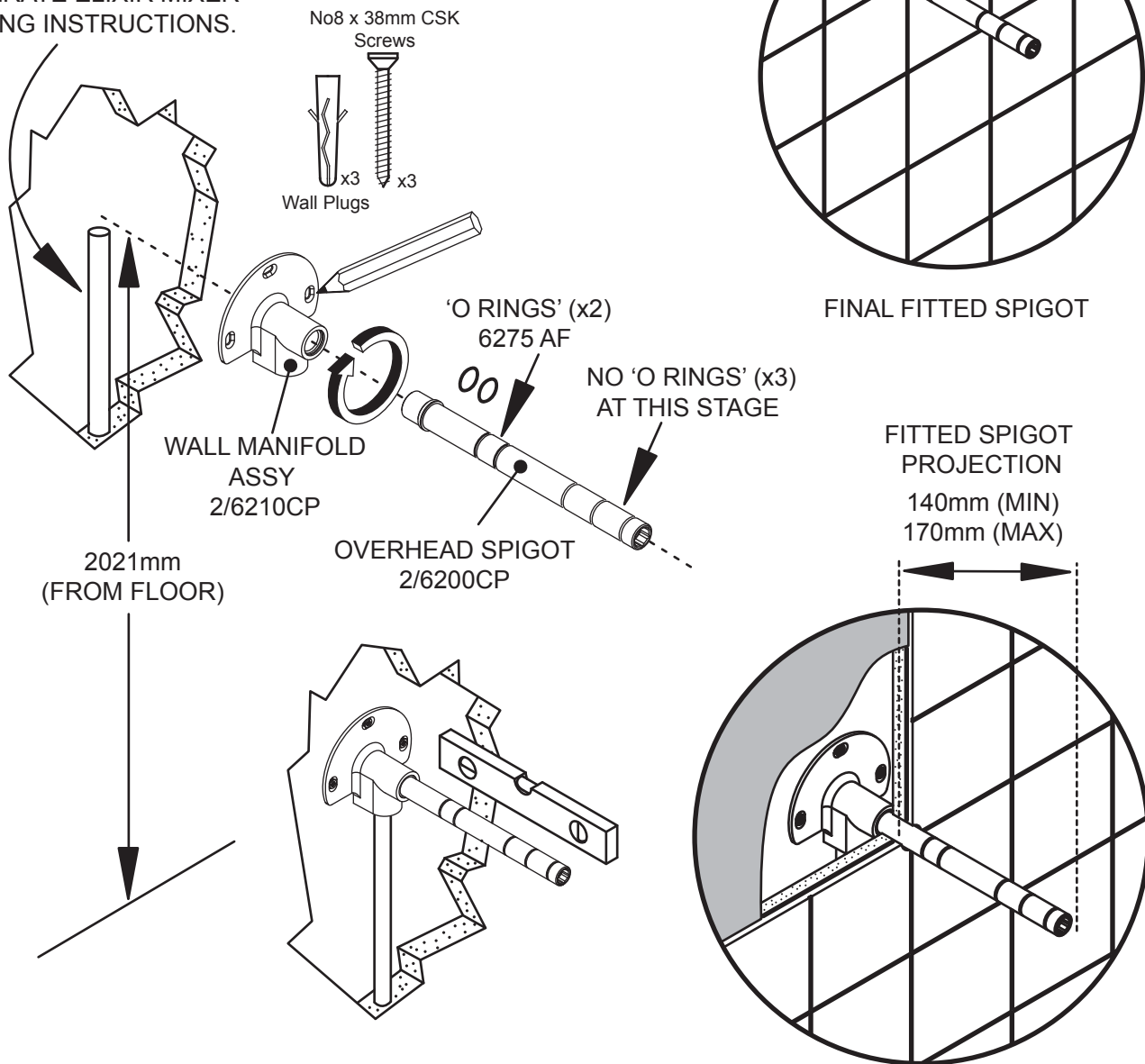
This stage describes plumbing options for the Wall Manifold (for Deluge Shower Head).

- Wall Manifold Assy 2/6210CP can be plumbed to from underneath (A) or behind (B) using a standard 1/2" BSP male connector. Manifold may also be rotated 360° if required. Always use PTFE tape on threaded connectors. NEVER use taper threaded connectors.
- The Inlet Blanking Plug (6251 AF) seals the redundant plumbing option.
- Wall Manifold Assy 2/6210CP can be mounted in the same depth of recess as the Elixir Mixer - from 60mm to 90mm (see separate Elixir Mixer fitting instructions).

STAGE 2

Ø20mm HOLE INSURES DELUGE SHOWER HEAD TUBE (Ø25mm FOR EX26, Ø40mm FOR EX28) WILL COVER HOLE.

MIXED WATER INLET. SEE SEPERATE ELIXIR MIXER FITTING INSTRUCTIONS.



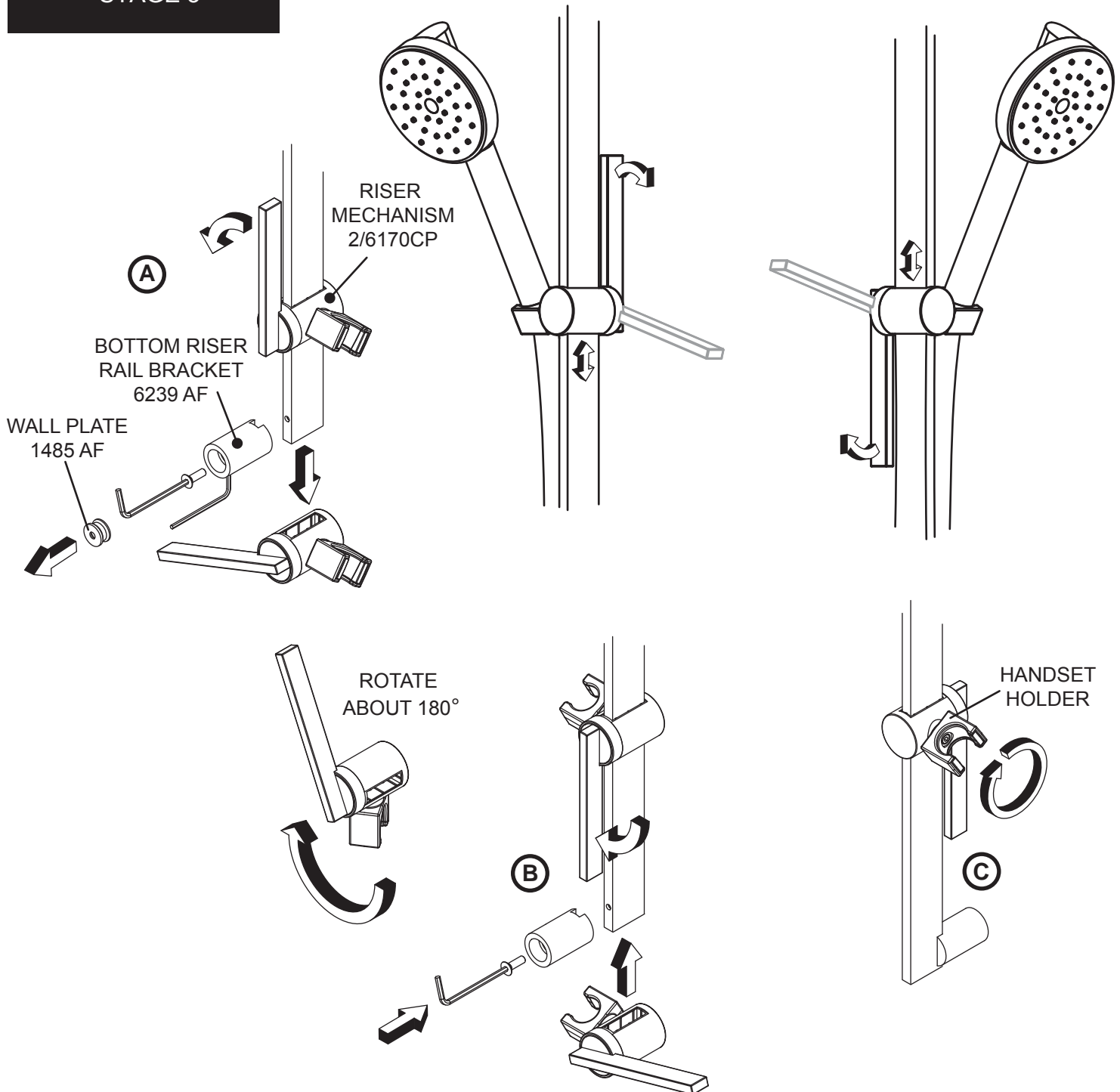
This stage describes fixing of the Wall Manifold & Overhead Spigot

- We recommend a mounting height of 2021mm (from floor to **centre** of Overhead Spigot 2/6200CP) for the Deluge Shower Head (1995mm from floor to underside of the Shower Head - as described on Page 1).
- Make sure the Wall Manifold 2/6210CP is mounted on a structurally solid, leveled surface - check with a spirit level once Overhead Spigot 2/6200CP has been fully screwed in, this will ensure the Deluge Shower Head will be level once assembled.
- Overhead Spigot 2/6200CP should project from the final finished surface between 140mm-170mm depending on the depth Wall Manifold 2/6210CP has been mounted.

STAGE 3

FACTORY FITTED
LEFT HAND HANDSET
HOLDER

CUSTOMER ALTERED
RIGHT HAND HANDSET
HOLDER



This stage describes changing the Riser Mechanism, Hand Shower holder from Left Hand to Right Hand.

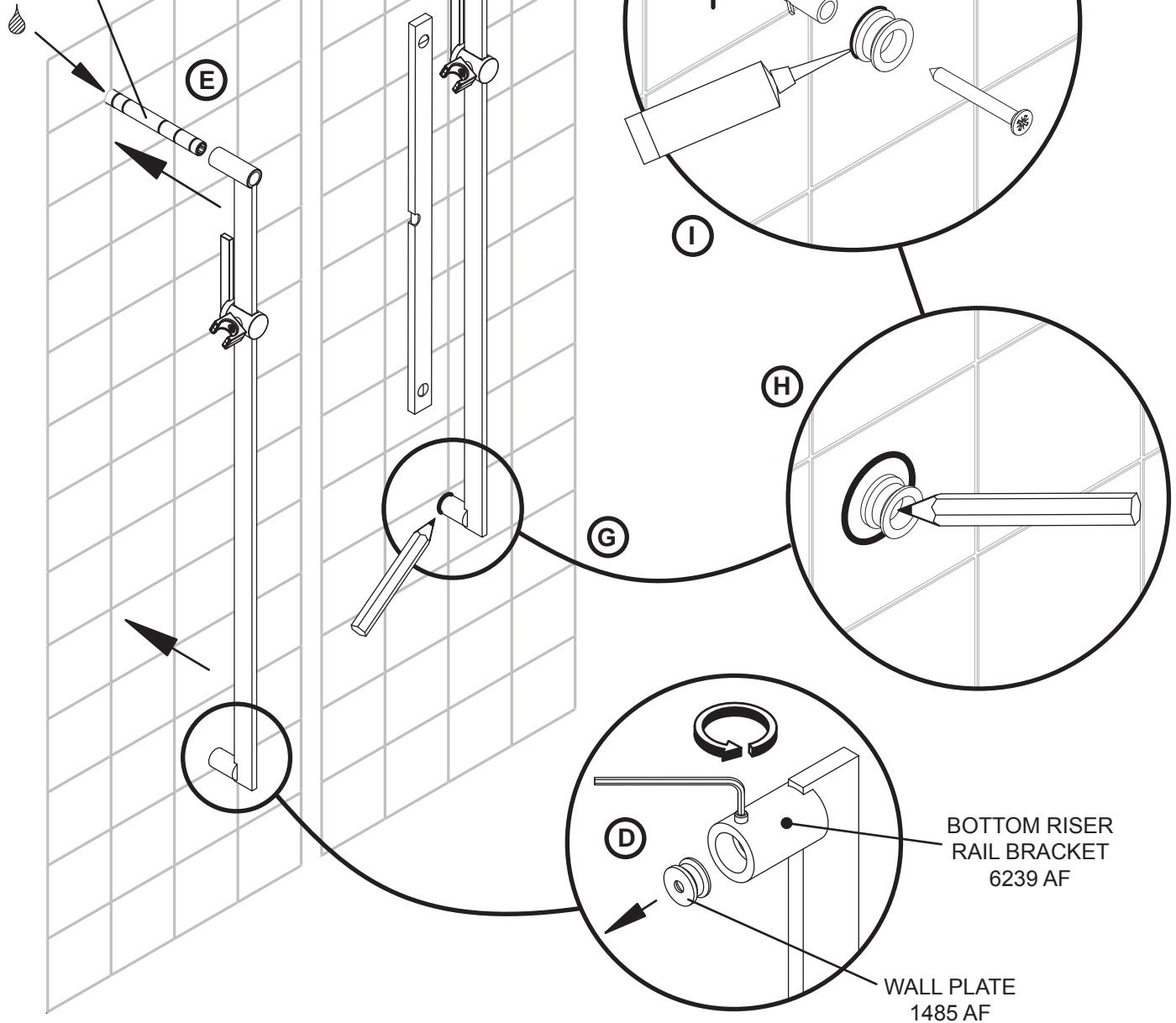
Depending on customer preference, the Hand Shower can be mounted either side of the riser rail, to do this;

- Remove the Bottom Riser Rail Bracket, slide off the Riser Mechanism 2/6170CP and rotate about 180° (A).
- Slide the Riser Mechanism 2/6170CP back onto the Riser Rail (making sure the handle remains at the back of the Riser Rail) and replace the Wall Bracket - leaving the Wall Plate 1485 AF off for Stage 4 (B).
- Twist the Hand Shower Holder around, ready to accept the Hand Shower (C).

STAGE 4

FOR MODEL EX29 ONLY

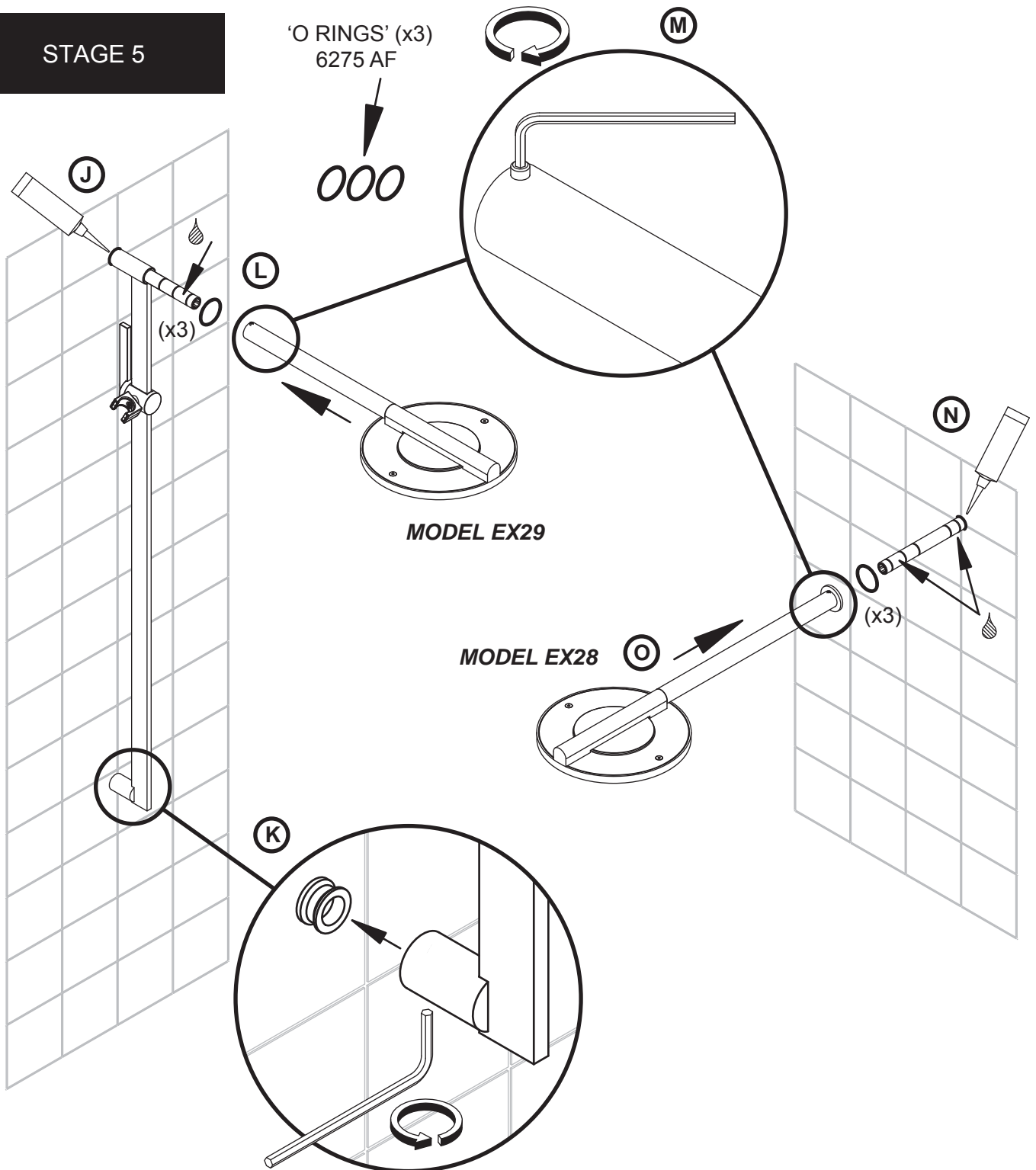
OVERHEAD SPIGOT
2/6200CP



This stage describes the fitting of the Riser Rail & Overhead Support Tube for model EX29.

- Remove the Wall Plate 1485 AF (D).
- Moisten with water the 2x 'O Rings' located at the back of the Overhead Spigot 2/6200CP (E) - this aids assembly. Once moistened, push the Riser Rail over the Overhead Spigot 2/6170CP onto the 'O rings' (E) and back to the wall, then level Riser Rail (F).
- Once levelled, mark around the Bottom Riser Rail Bracket 6239 AF (G). Remove Riser Rail and carefully put to one side. Centre the Wall Plate 1485 AF in this marked area and make a second, central mark through the Wall Plate 1485 AF - this defines the location for the wall plug (H). Once drilled, place wall plug and fix the Wall Plate 1485 AF, applying silicon to the back face (I).

STAGE 5



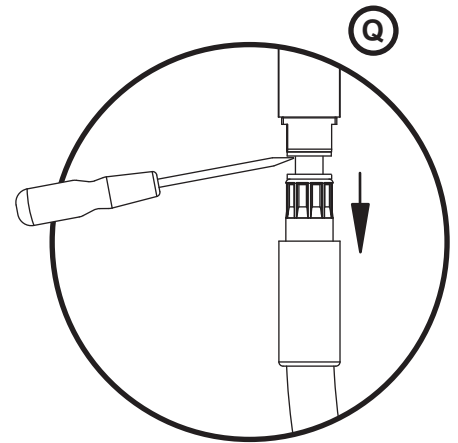
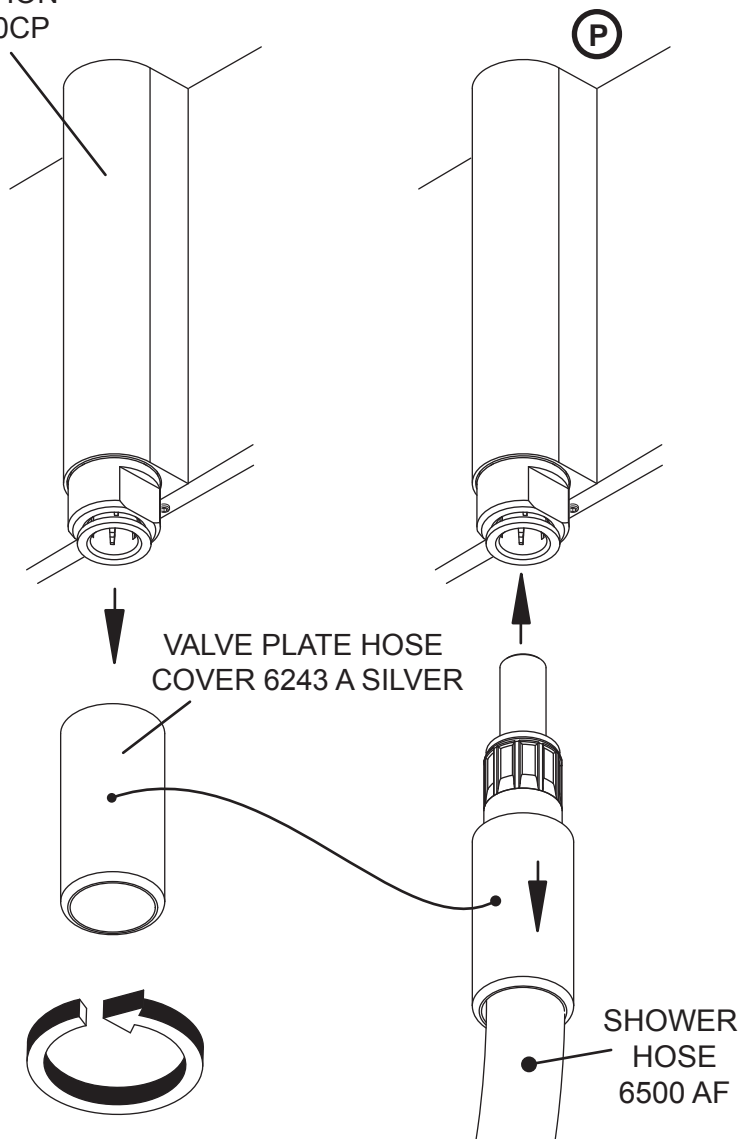
This stage describes the fitting of the Deluge Shower Head For both models EX29 and EX28.

- EX29: Silicon the base of the Overhead Spigot 2/6200CP and replace Riser Rail (J). Push the Bottom Riser Rail Bracket 6239 AF onto Wall Plate 1485 AF - and fasten from underneath (K). Then fit the 3x remaining 'O Rings' (6275 AF from the Kit of Parts) to the Overhead Spigot 2/6200CP, and moisten as before. Push the Deluge Shower Head onto Overhead Spigot 2/6200CP (L), orientate the fixing so it is not visible from below and tighten (M), finally level the Deluge Shower Head if required.
- EX28: Silicon the base of the Overhead Spigot 2/6200CP, fit the 3x remaining 'O Rings' (6275 AF from the Kit of Parts) to the Overhead Spigot 2/6200CP and moisten with water - this aids assembly (N). Push the Deluge Shower Head onto Overhead Spigot 2/6200CP (O), orientate the fixing so it is not visible from below and tighten (M), finally Level the Deluge Shower Head if required.

STAGE 6

NOTE* SEE SEPARATE ELIXIR MIXER FITTING INSTRUCTIONS.

VALVE PLATE
JUNCTION
2/6040CP



This stage describes fitting the Push-Fit Hose to the fitted Valve Plate for model EX29.

- Unscrew the Valve Plate Hose Cover 6243 A Silver from the fitted Valve Plate Junction (see separate Shower Mixer instructions).
- Slide the Valve Plate Hose Cover 6243 A Silver onto the Shower Hose 6500 AF (threaded end up) and push the Shower Hose end all the way into the Push-Fit Fitting (P), finally screw the Valve Plate Hose Cover 6243 A Silver back on.
- The Push-Fit system can easily be released by holding the white plastic part of the push-fit assembly up against the stainless-steel body, and pulling out the hose (Q).

STAGE 7

HIGH FLOW
ECO

(S)

(R)

(T)

SHOWER
HOSE
6500 AF

This stage describes the fitting and operation of the Hand Shower for model EX29.

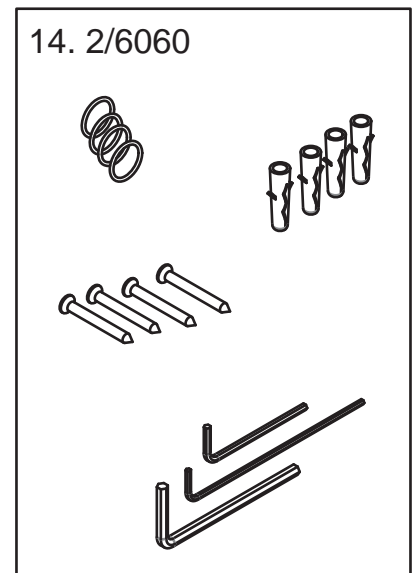
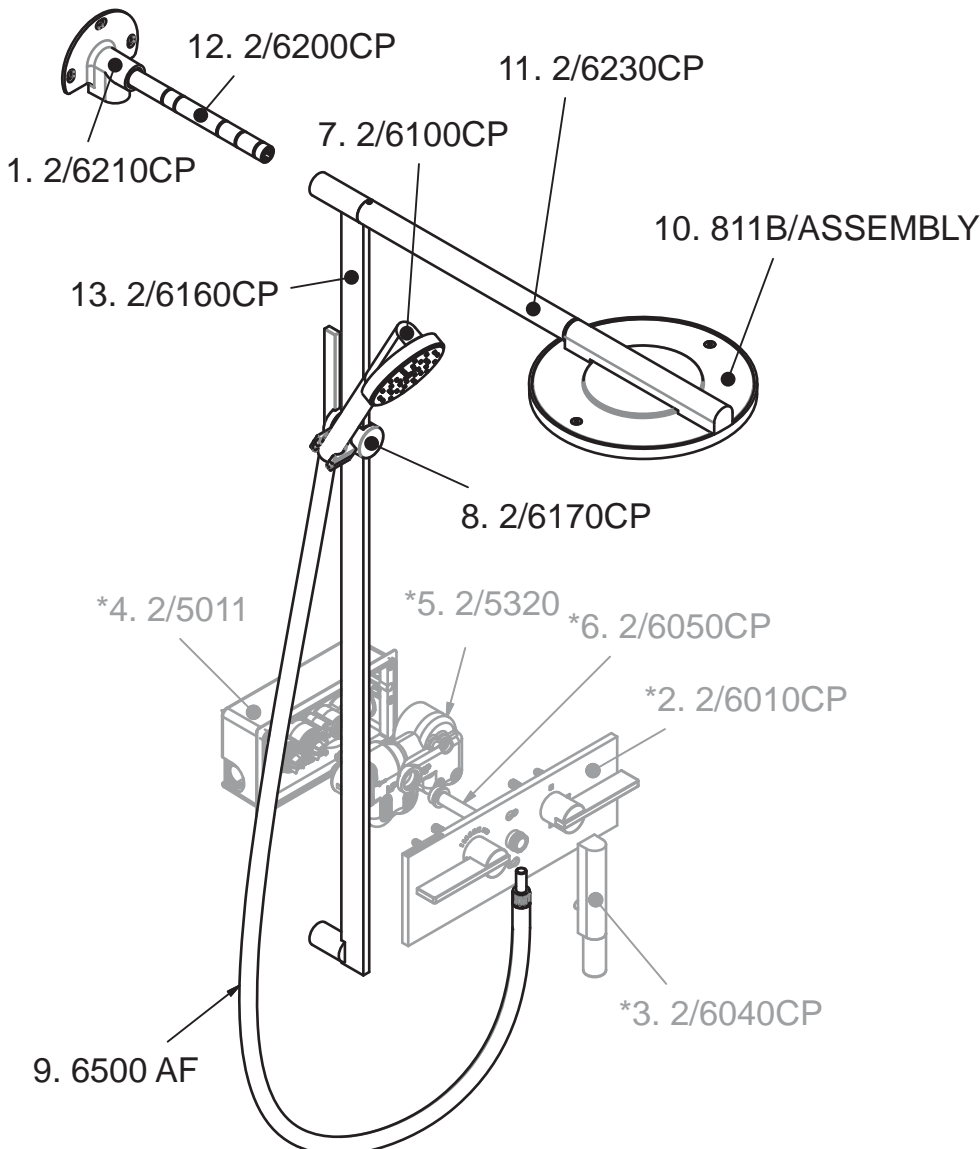
- Slot the Hand Shower into the Riser Mechanism (R). High Flow and Eco settings can be achieved by rotating the shower head left/right respectively (S).
- To remove the Hand Shower from the shower hose, unscrew the handle from the body. The Push-Fit system can easily be released by holding the white plastic part of the push-fit assembly up against the stainless-steel body, and pulling out the hose (T).

PARTS LIST

MODEL EX29

SUB-ASSEMBLY PARTS LIS FOR MODEL EX29			
ITEM	DESCRIPTION	PART No.	QTY
1	WALL MANIFOLD ASSY	2/6210CP	1
*2	EX26/29 BLADE VALVE PLATE ASSY	2/6010CP	1
*3	EX26, EX29 BLADE VALVE JUNCTION	2/6040CP	1
*4	CONCEALED MANIFOLD AND WALL BOX	2/5011	1
*5	BASIN CONCEALED VALVE BODY ASSEMBLY	2/5320	1
*6	FLEX OUTLET ADAPTER ASSEMBY	2/6050CP	1
7	BLADE HANDSET ASSEMBLY	2/6100CP	1
8	EX26, EX29 RISER MECHANISM ASSY	2/6170CP	1
9	140 PUSH-FIT FOILED HOSE	6500 AF	1
10	BLADE-ROUND SHOWER HEAD	811B/ASSEMBLY	1
11	BLADE EX29 OVERHEAD TUBE ASSY	2/6230CP	1
12	EX28, EX29 OVERHEAD SPIGOT	2/6200CP	1
13	BLADE RISER RAIL ASSY (EX29)	2/6160CP	1
14	BLADE GENERIC PARTS KIT	2/6060	1

*GREY ILLUSTRATION/TEXT INDICATES ELIXIR MIXER/BLADE DESIGN COMPONENTS - SEE SEPARATE FITTING INSTRUCTIONS.

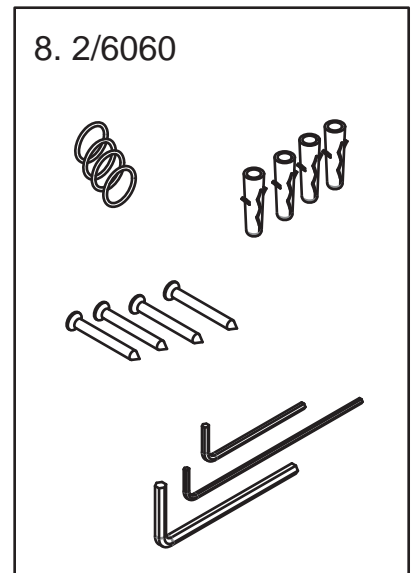
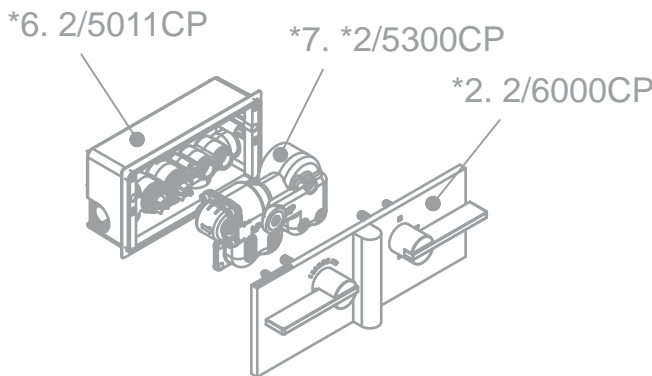
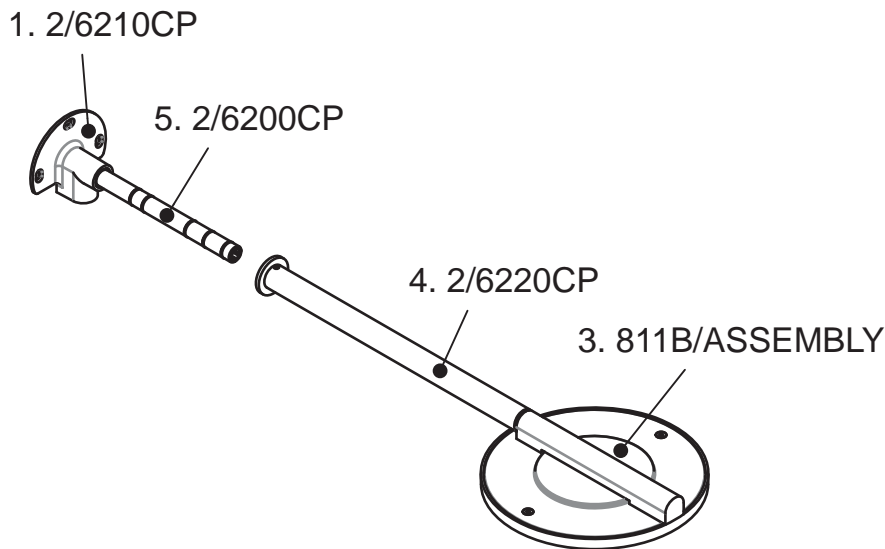


PARTS LIST

MODEL EX28

SUB-ASSEMBLY PARTS LIST FOR MODEL EX28			
ITEM	DESCRIPTION	PART No.	QTY
1	WALL MANIFOLD ASSY	2/6210CP	1
*2	EX20/28 BLADE VALVE PLATE ASSY	2/6000CP	1
3	BLADE-ROUND SHOWER HEAD	811B/ASSEMBLY	1
4	BLADE EX28 OVERHEAD TUBE ASSEMBLY	2/6220CP	1
5	EX28, EX29 OVERHEAD SPIGOT	2/6200CP	1
*6	CONCEALED MANIFOLD AND WALL BOX	2/5011CP	1
*7	CONCEALED VALVE BODY	2/5300CP	1
8	BLADE GENERIC PARTS KIT	2/6060	1

* GREY ILLUSTRATION/TEXT INDICATES ELIXIR MIXER/BLADE DESIGN COMPONENTS - SEE SEPARATE FITTING INSTRUCTIONS.



matki | S H O W E R I N G

MAINTENANCE

General Cleaning Instructions

All Chrome parts should be cleaned with a mild non scratch household cleaner and a soft cloth or sponge.

Do not use acidic-based descaler products or products which are unsuitable for cleaning enamelled surfaces, including abrasive cleaners or cleaners containing bleach or solvents, as the products will effect the anodised framework. Under no circumstances use cleaners with a pH level exceeding 8.

We recommend that these instructions are handed to the user with a note of date of purchase, model details. To order replacements quote: Part Number, Model, Part Description.

Flash Bathroom Spray or Cif Bathroom Spray can be used on Matki Brassware Products. Read manufacturers label before using any cleaning materials.

MATKI PLC, CHURCHWARD ROAD, YATE, BRISTOL, BS37 5PL

TELEPHONE:01454 322 888 FAX:01454 315 284 EMAIL:techsupport@matki.co.uk