

matki

SHOWERING MODEL ECC900 MIRAGE CURVED CORNER INSTALLATION INSTRUCTIONS

IMPORTANT

Before disposing of carton and/or commencing assembly, please check all the parts to ascertain that none are missing and they are all undamaged. No claim for missing/damaged parts will be accepted once the packing carton has been disposed of and/or assembly has commenced.

In case of query contact your Stockist with details of model number, finish and details of quality control slip. Due to the weight of the surround and shower tray we recommend that two people are available for assembly.

PREPARATION

Please read complete installation instructions before fitting. **Ensure top of tray is level**, tray should be let into wall with tiling lip face flush with wall to allow tiling to overlap tiling lip. The door assembly should be installed onto waterproof wall covering and installed after the tray and wall coverings are in place.

Carefully remove door from carton, **do not** place glass on hard floor or expose edges to impact.

Ensure top of tray is level. Seal between tray and tiles. Remove any excess sealant from the area/joint between the tray and tiles where the wall frame will be fitted this will ensure the wall frame fits correctly to the wall and tray.

CAUTION: TEMPERED GLASS CANNOT BE CUT, POLISHED METAL AND CHROME CAN BE SCRATCHED.

TOOLS REQUIRED

Masonry Drill bit 6mm
Electric Drill
19mm Spanner
Tape Measure
Level
Screw Drivers
Pencil
Safety Glasses

KIT OF PARTS CURVED CORNER DOOR

Part Description	QTY	
Recess Wall Jamb Cap LH	1870	1
Recess Wall Jamb Cap RH	1871	1
Fixed Glass Panel Bush	2183	8
Wall Jamb Foot Curved LH	2189	1
Wall Jamb Foot Curved RH	2190	1
Button Cap	2199	8
Wall Jamb Foot Bush	2200	2
Wall Jamb Door Stop	2206	2
Guide Roller Assembly		2
Glass Clamp Front (L-Shaped brackets)	2618 A	2
Glass Clamp Buffer (Black)	1815	2
M5 x 16mm Csk Socket Screws	1495 A	2
M5 x 25mm Csk Socket Screws	1508 A	2
No. 6 x 20mm Csk Head Screws	1451	2
No. 8 x 32mm Pan Head Screws	1471	8
Washer	1942	2
Plastic Wall Plugs	1818	8
Alan Key 2.5mm, 3mm and 4mm	1166 /1167/1168	1
Tube of Sealant	1967	1
Guarantee Card	1061	1
Door Stop Screw	1514AF	2

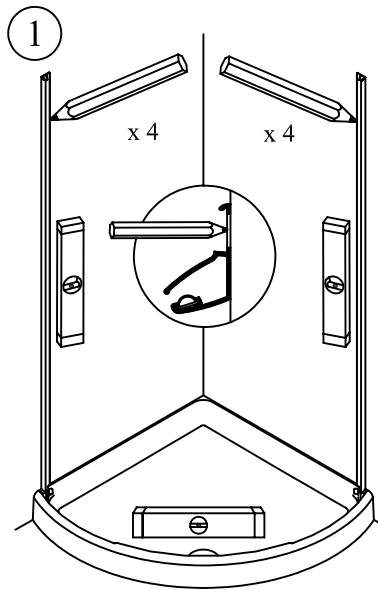
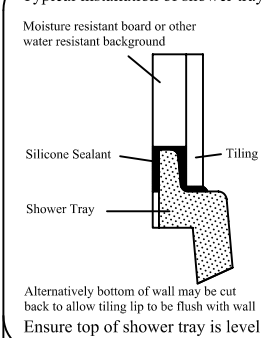
HOW TO CARE FOR YOUR MATKI SURROUND

Never use scouring powder or pads or sharp instruments when cleaning the surround. Wipe the surround after use. Occasionally wipe the surround with a mild detergent diluted with water and polish with a soft cloth. If you live in a hard water area, periodically clean with a 50/50 solution of white vinegar and hot water. Soak for 5 minutes and remove any limescale residue with a household glass cleaner. This is all that is needed to keep the glass and anodised aluminium parts looking new.

Do not use acidic-based descaler products or products which are unsuitable for cleaning enamelled surfaces, including abrasive cleaners or cleaners containing bleach or solvents, as the products will effect the anodised framework. Under no circumstances use cleaners with a pH level exceeding 8.

We recommend that these instructions are handed to the user with a note of date of purchase, model details and finish. To order replacements quote: Part Description, Model Number and Colour.

Typical installation of shower tray



Stage 1

Locate the Wall Jamb Feet in the front corners of the tray with the countersunk holes in the feet facing into the shower tray. (see 3b). Position the Wall Jamb Feet on top of the Wall Jamb Feet so that the opening in the Wall Jamb Feet is central to the slot in the Wall Jamb Feet. (1a)

Plumb the Wall Jamb Feet for upright and mark the fixing holes on the wall in the centre of the slots.

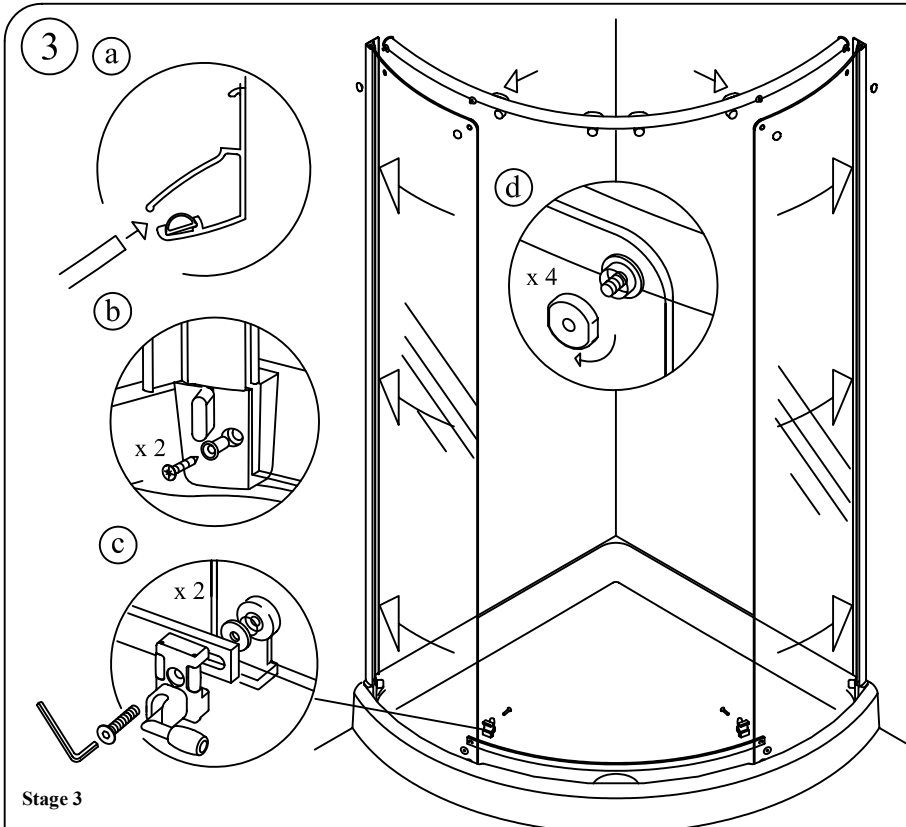
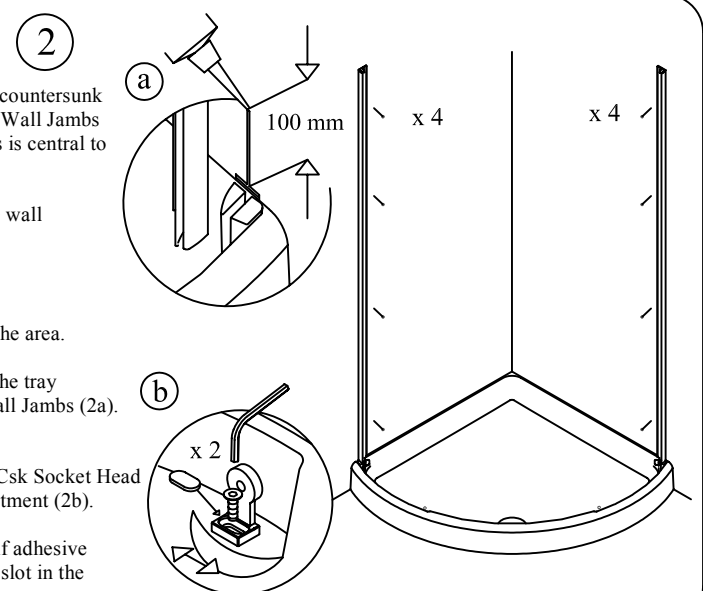
Stage 2

Drill the fixing holes in the wall and insert the Wall Plugs. Clean the area.

Apply Silicon Sealant to the area behind the Wall Jamb Feet between the tray and the tiles and 100mm up the wall, central to the width of the Wall Jamb Feet (2a).

Fit the Wall Jamb Feet with the No. 8 x 32mm Pan Head Wall Screws. Fit the L-Shaped Glass Clamps into the tray with the M5 x 16mm Csk Socket Head Screws. Do not fully tighten to allow for left to right bracket adjustment (2b).

After the adjustments have been completed, fit the black rubber self adhesive Glass Clamp Buffers over the top of the Socket Head Screw in the slot in the L-Shaped Bracket (2b).



Stage 3

The Curved Fixed Glass Panels are handed. The top of both panels have a rounded corner which should face into the Door aperture.

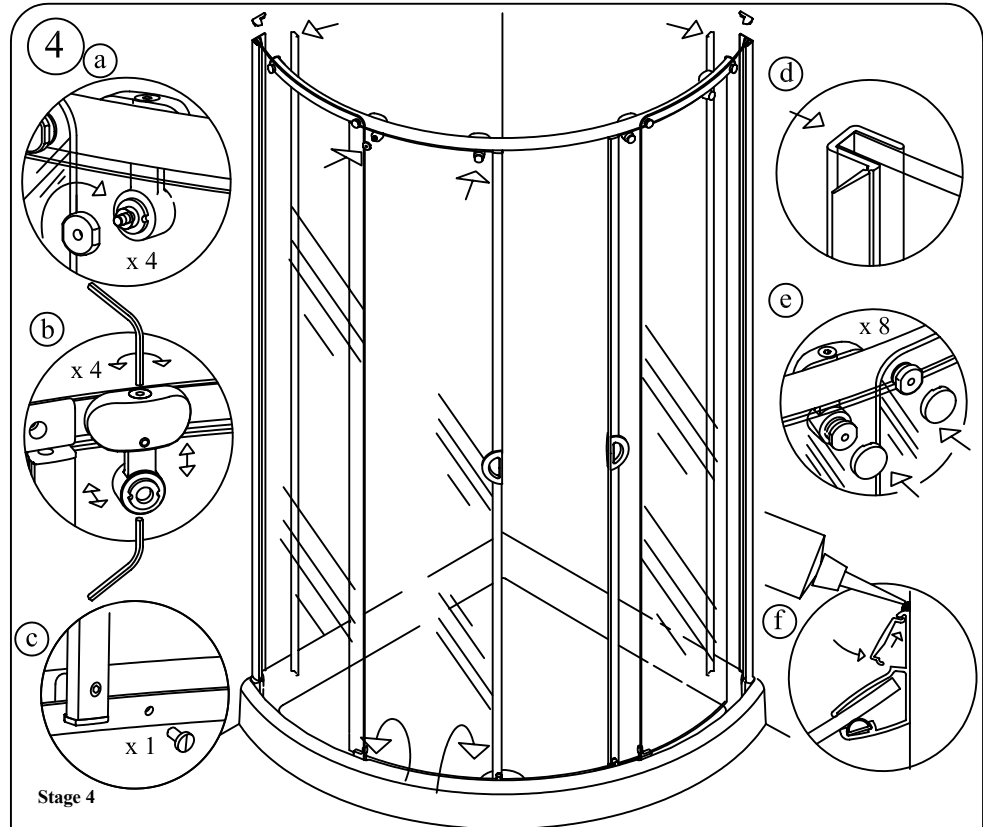
Before fitting the Fixed Glass Panels into the Wall Jamb Feet wet the vertical wall side edge of the glass panel with a sponge or cloth to help glass slide into seal inside Wall Jamb.

Carefully lower the Fixed Panel Glass down into the tray and onto the L-Shaped Brackets and push the Glass Panel into the Wall Jamb and Wall Jamb Foot.(3a) Repeat for the opposite panel.

Secure the Fixed Glass Panels to the Wall Jamb Feet by inserting the Wall Jamb Feet Bushes into the Wall Jamb feet and through the holes in the Glass Panels. Secure the Bushes with the No.6 x 20mm Csk Head Screw. (3b)

The Fixed Glass Panels are secured to the L- Shaped Brackets with the Guide Rail and Roller Guides. Carefully position the Guide Rail on the inside face of the Fixed Glass Panels. Align the Guide Rail with the holes in the panels and the fixing holes in the L-Shaped Brackets. Adjust the brackets and Glass Panels as required. Pull out and rotate the Single Roller Guide in the Roller Guide Housing so you can access the Csk fixing hole. Secure the Roller Guide, Guide Rail and washer to the inside face of the panels with the M5 x 25mm Csk Head Socket Screws into the L- Shaped Brackets. (3c) Rotate the Single Roller Guide back into the vertical position **before** fitting the Door Panels.

Carefully fit the Top Track to the Fixed Glass Panels and align the Track with the holes in the Panels. Adjust the Panels as required. Secure the Top Track to the Curved Panels by fitting the Glass Panel Bushes through the holes in the glass and threading onto the studs on the Track. (3d)



Stage 4

Carefully lift the Door Glass panel through the door aperture and gently rest the bottom of the door glass into the Guide Rollers and hook the centre door guide onto the Guide Rail. Align the Roller blocks in the Top Track with the holes in the top edge of the Door Glass. Fit the Glass Bushes through the holes in Door Glass and screw onto threaded stud in the Roller Blocks. (4a)

Adjust the vertical height of the Door glass by rotating the M6 Socket Screw in the top of the Roller Blocks. Clockwise to raise, anti-clockwise to lower. We recommend that the door is raised to the top of the adjustment then lowered as required to align with the opposite Door Panel. (4b)

Lock the vertical adjustment with the Set Screw on the back of the Roller Block. Repeat the procedure for the opposite Door Panel. Fit the Centre Door Stop Screw into the central hole on the inside face of the Guide Rail, (4c)

Test the door running. Check the vertical and handle alignment of the door panels. The door panels can be adjusted in and out at the top as required by releasing the Socket Set Screw on the bottom of the Roller Block arm. Tighten the Set Screw when adjustment is finished.

Fit the Door Vertical Gaskets to the Door Glass with the fins facing the fixed panels.(4d) Fit the Chrome Glass Bush Caps.(4e) Fit the Wall Jamb Covers. (4f) Fit the Wall Jamb Top Caps.

Apply a bead of Silicon on the inside between the Wall Jamb and the tiles. Masking tape can be used to achieve a tidy edge to the sealant. Remove the masking tape immediately and allow the silicon to cure for 24 hours **before** using the shower. (4f)

Sealing between the glass panels and tray is not normally necessary. However if you do experience problems due to higher pressure shower systems a clear Glazing Wedge can be fitted between the tray and the bottom edge of the glass. If you require the Glazing Wedge, please contact Matki quoting part no. 2167.

matki
SHOWERING

MATKI PLC CHURCHWARD ROAD YATE BRISTOL BS37 5PL

TELEPHONE: 01454 328816 (Aftersales) FAX: 01454 328821 E-MAIL: techsupport@matki.co.uk