

# matki | S H O W E R I N G

## EAUZONE PLUS

EPI - HINGED DOOR WITH HINGE PANEL AND INLINE PANEL FOR RECESS

INSTALLATION

PARTS LIST

BRITISH PATENT NO:2470778



EPI

**MATKI PLC, CHURCHWARD ROAD, YATE, BRISTOL, BS37 5PL**  
TELEPHONE:01454 328816 (AFTER SALES) FAX:01454 328821 EMAIL: techsupport@matki.co.uk

## IMPORTANT

### TOOLS REQUIRED

Masonry Drill bit 6mm, Tape Measure, Screw Drivers, Safety Glasses, Electric Drill, Level, Pencil, Adjustable Spanners, Non Slip Gloves

Before disposing of carton and/or commencing assembly, please check all the parts to ascertain that none are missing and they are all undamaged. No claim for missing/damaged parts will be accepted once the packing carton has been disposed of and/or assembly has commenced.

In case of query contact your Stockist with details of model number and details of serial number.

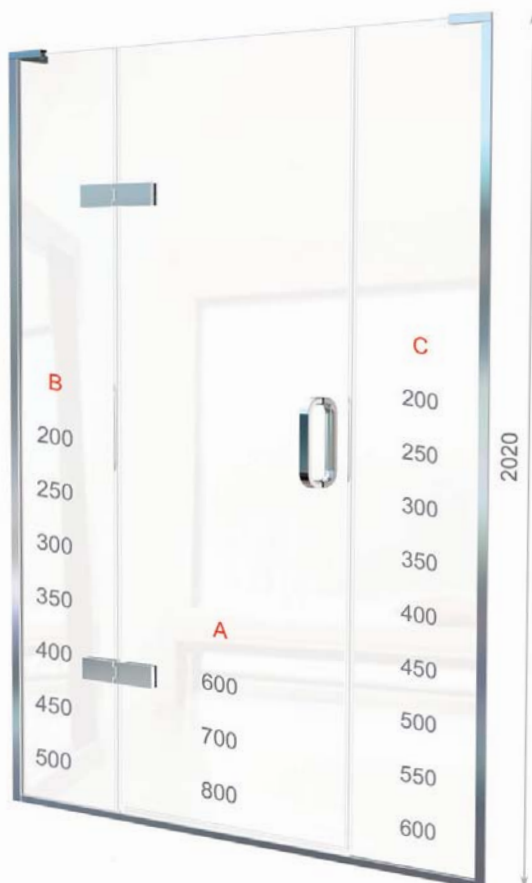
### PREPARATION IMPORTANT

1. Please read complete installation instructions before fitting for Enclosure and Tray (if fitting).
2. We recommend that two people are available for fitting of Door, Stage 6. The **Eauzone Plus** range is **10mm Glass** construction. Large glass panels are very heavy. We recommend the use of Safety glasses and Non slip gloves when handling the glass panels.
3. Ensure that the product can be **fixed** to a **solid masonry wall** or suitable **timber stud work grade C16/C24** in the area behind the Wall frames and Panel fixing brackets.
4. Shower trays or tiled floors **must be absolutely level** where enclosures are fitted
5. If fitting a tray we recommend a **drainage test** is carried out before the tray is tiled in position.
6. The assembly should be installed onto a waterproof wall covering and installed after the Tray and wall coverings are in place. Where Tiling lips are provided Trays should be let into the Wall with the Tiling lip flush with the wall to allow the Tiling to overlap the Tiling lip.
7. Seal between tray and tiles. Remove any excess sealant from the area/joint between the tray and the tiles where the Wall Mount is to be fitted. This will ensure the Wall mount fits correctly to the wall and tray/or tiled floor.

**CAUTION: TEMPERED GLASS CANNOT BE CUT, POLISHED METAL AND CHROME CAN BE SCRATCHED. CAREFULLY REMOVE ASSEMBLY FROM CARTON, DO NOT PLACE GLASS ON HARD FLOOR OR EXPOSE EDGES TO IMPACT.**

## DIMENSIONS

Dimensions are approximate



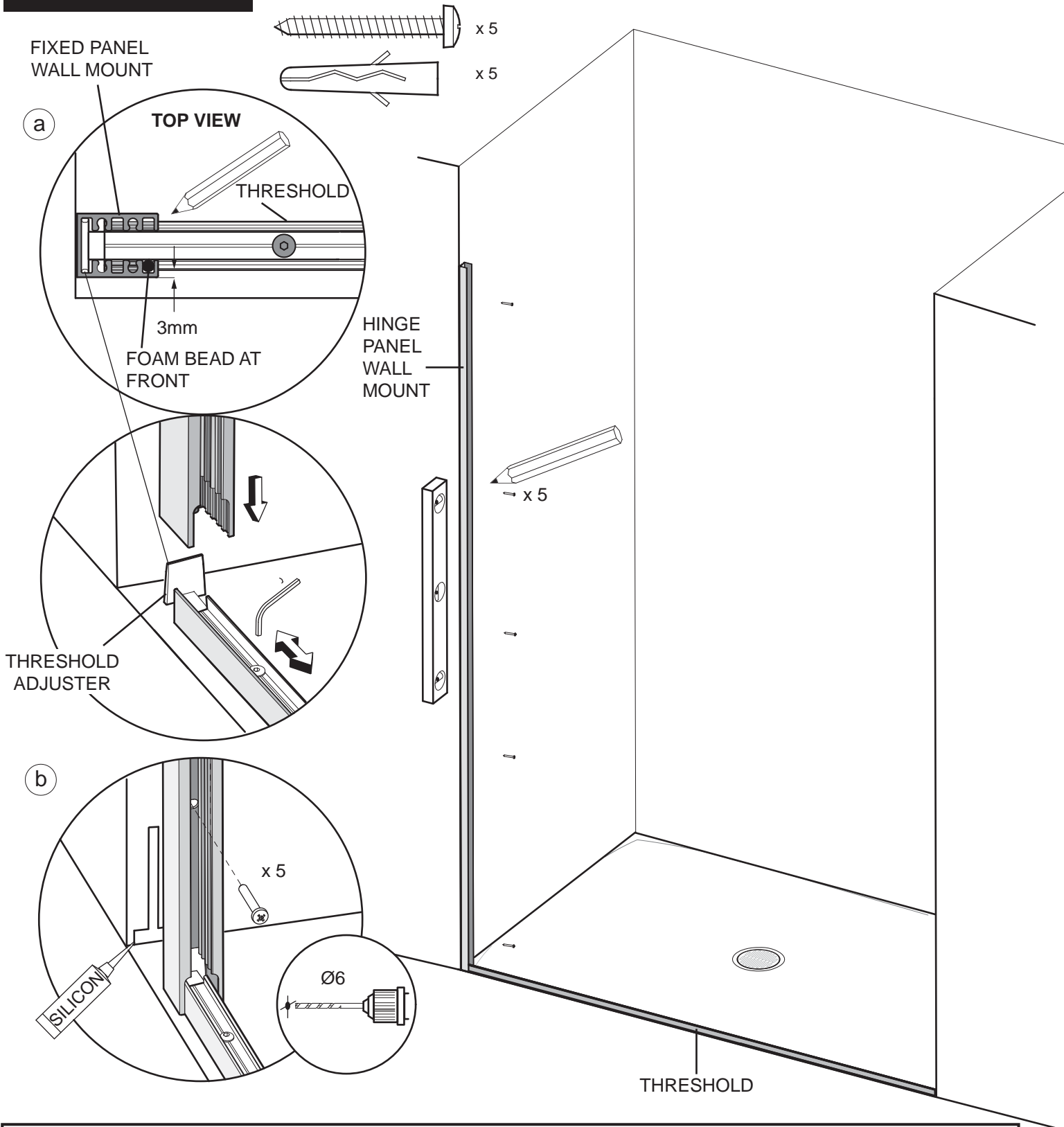
MODEL RECESS	A + B + C	A	B	C
EPI1000	965 – 995	600	200	200
EPI1100	1065 – 1095	700	200	200
EPI1150	1115 - 1145	700	250	200
EPI1200	1165 – 1195	800	200	200
EPI1250	1215 - 1245	800	250	200
EPI1300	1265 – 1295	700	200	400
EPI1350	1315 - 1345	800	250	300
EPI1400	1365 – 1395	800	200	400
EPI1450	1415 - 1445	800	250	400
EPI1500	1465 – 1495	700	400	400
EPI1550	1515 - 1545	800	400	350
EPI1600	1565 – 1595	800	400	400
EPI1650	1615 - 1645	800	450	400
EPI1700	1665 – 1695	800	450	450
EPI1750	1715 - 1745	800	500	450
EPI1800	1765 – 1795	800	500	500
EPI1850	1815 - 1845	800	500	550
EPI1900	1865 – 1895	800	500	600

**Please note:** The Standard Panel and Door options are only listed above. If you have a unit with a different mix and match combination of panels, please refer to the Model size and total width e.g. See below other combinations for Model 1200 all have same total width.

	A + B + C	A	B	C
<b>EPIC1200</b>	1165 – 1195	800	200	200
<b>EPIC1200</b>	1165 – 1195	600	400	200
<b>EPIC1200</b>	1165 – 1195	600	200	400

# STAGE 1

IMAGES SHOW LH HINGED DOOR INSTALLATION REVERSE FOR RH.

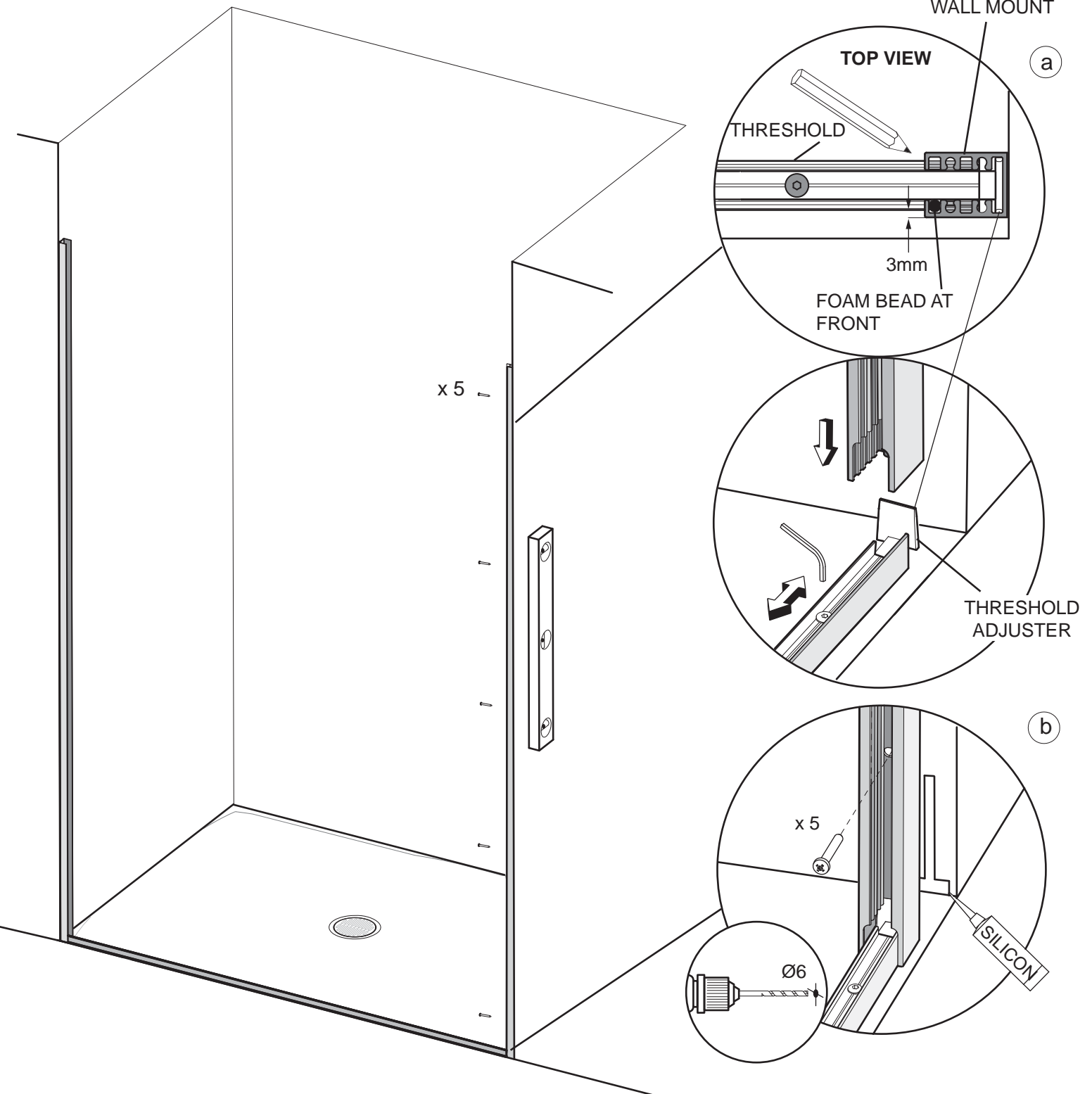
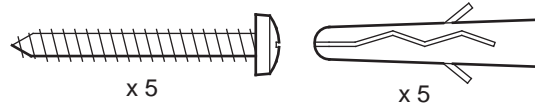


## This stage is describing the fitting of the Hinge panel wall mount

**a.** Place the Horizontal Threshold into position on tray. (If fitting close to the front edge of the tray take into account that the front face of the Hinge panel wall mount sits 3mm in front of the Threshold). Position the Hinge panel wall mount on to the Wall over Threshold (Wall Mount has a top and bottom, Threshold cut-out should be at bottom). Ensure the Threshold adjuster fits up into the back of the Wall mount extrusion in the recess as shown. Adjust position of Threshold adjuster as required, to adjust loosen screw only 1/2 a turn, re-tighten after adjustment, do not over tighten. Plumb the Wall Mount for Upright and mark the fixing holes in the centre of the slots.

**b.** Drill 5 x fixing holes in the wall and insert Wall plugs. Clean area and apply Silicon Sealant to the area behind the Wall mount between the tray and tiles and 100mm up the Wall, central to the width of the Wall mount. Fit the Wall mount using the No.8 x 32mm Pan Head Screws

## STAGE 2

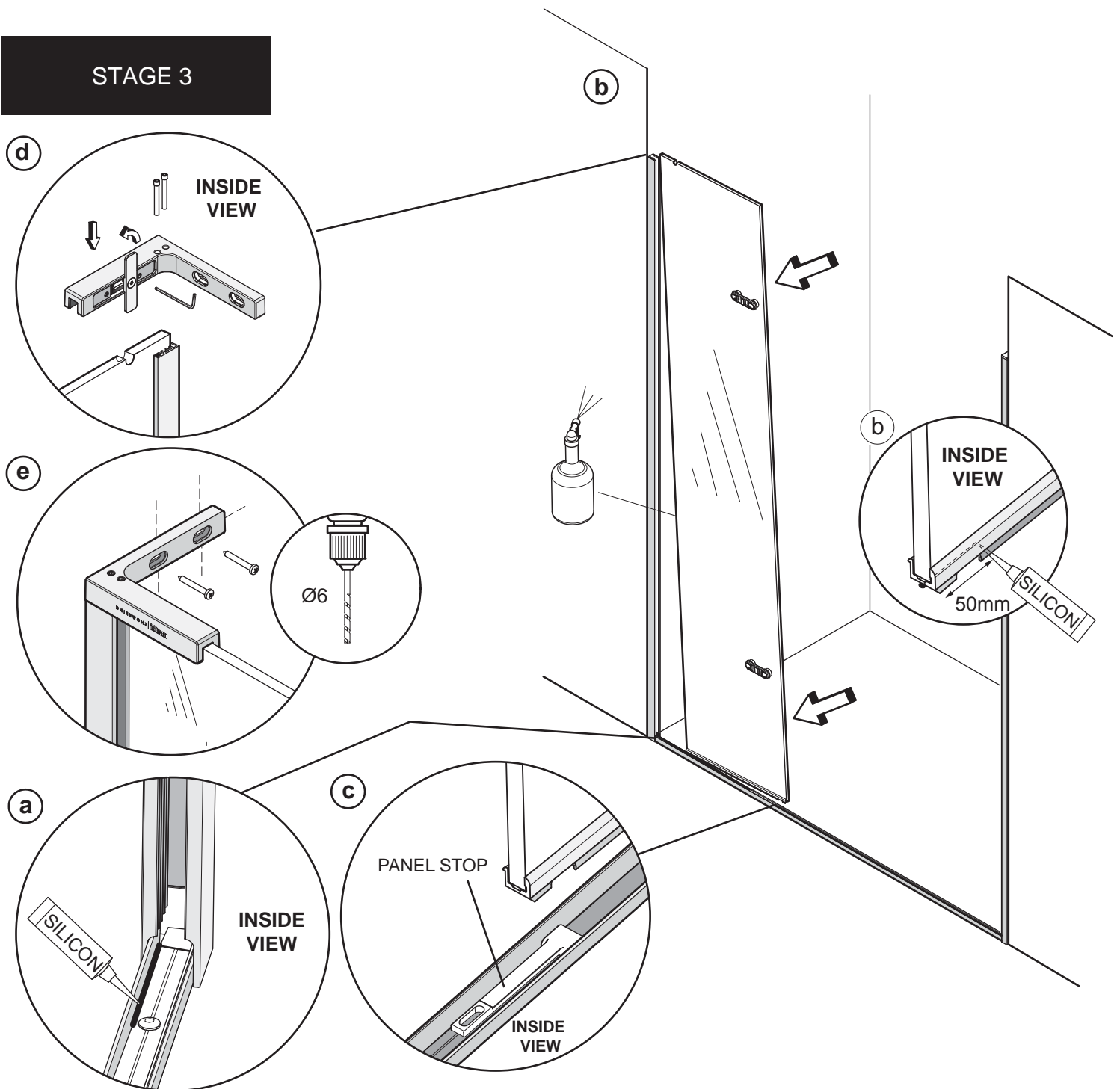


### This stage is describing the fitting of the Fixed panel wall mount.

**a.** Position the Fixed panel wall mount over the Threshold and ensure the Threshold adjuster fits up into the back of the Wall mount extrusion in the recess as shown. Adjust position of Threshold adjuster as required to ensure the Threshold extends under the Hinge wall mount. To adjust loosen screw only 1/2 a turn, re-tighten after adjustment, do not over tighten. Plumb the Wall Mount for upright and mark the fixing holes in the centre of the slots.

**b.** Drill 5 x fixing holes in the wall and insert Wall plugs. Clean the area and apply Silicon Sealant to the area behind the Wall mount between the tray and tiles and 100mm up the Wall, central to the width of the Wall mount. Fit the Wall mount using the No.8 x 32mm Pan Head Screws

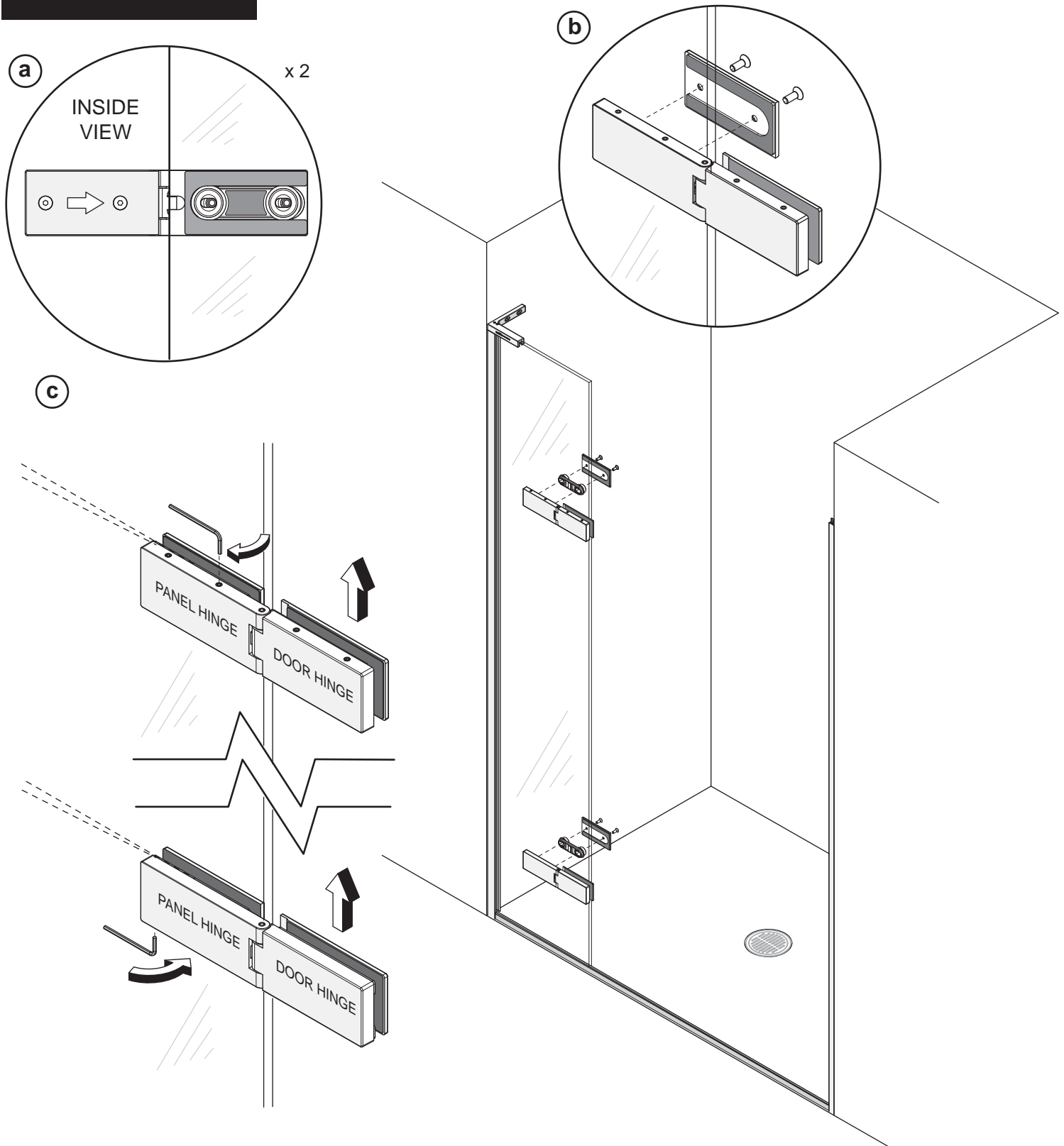
## STAGE 3



**This stage is describing the fitting of the Hinge panel.**

- a.** Apply a bead of Silicon along the front inside edge of the Threshold up to the adjuster screw. .
- b. IMPORTANT - Before fitting the Hinge panel, at the hinge side of the panel apply a 50mm bead of Silicon sealant central to the underside of the extrusion.** Lightly wet the edge of the Hinge panel with soapy water and gently lower the panel into the Wall mount and Threshold extrusion. Push the top of the panel into the Wall mount first, followed by the bottom.
- c.** Before the Panel is fully fitted into the Threshold extrusion, place the Panel Stop under the section bonded to the Hinge panel aligning the larger end of the stop, rounded face up, with the cut out in the extrusion.
- d. Fitting of Hinge panel top bracket:** Loosen the Countersunk socket screw in the Top bracket back plate until the Back plate can be rotated. Rotate the Back plate 180° to vertical. The plate should now adjust left to right, moving the Glass stop and Glass gasket with it. Carefully fit the Top Bracket over the glass panel, the Glass stop should fit into the notch in the top of the Hinge panel.
- e.** Mark the centre of the slotted holes in the Top bracket onto the Wall, remove the Top Bracket and drill and fix the wall plugs.
- d.** Re fit the Top Bracket. Fit the 2 x Socket cap screws through the Top Bracket into the extrusion. Tighten the 2 off M5 x 4 Socket set screws (do not over tighten). Rotate the Back plate to fit into the Top bracket recess and re fit the Countersunk socket screw (do not over tighten).
- e.** Fix the Top Bracket to the Wall using the No.8 x 32 Pan Head screws.

## STAGE 4



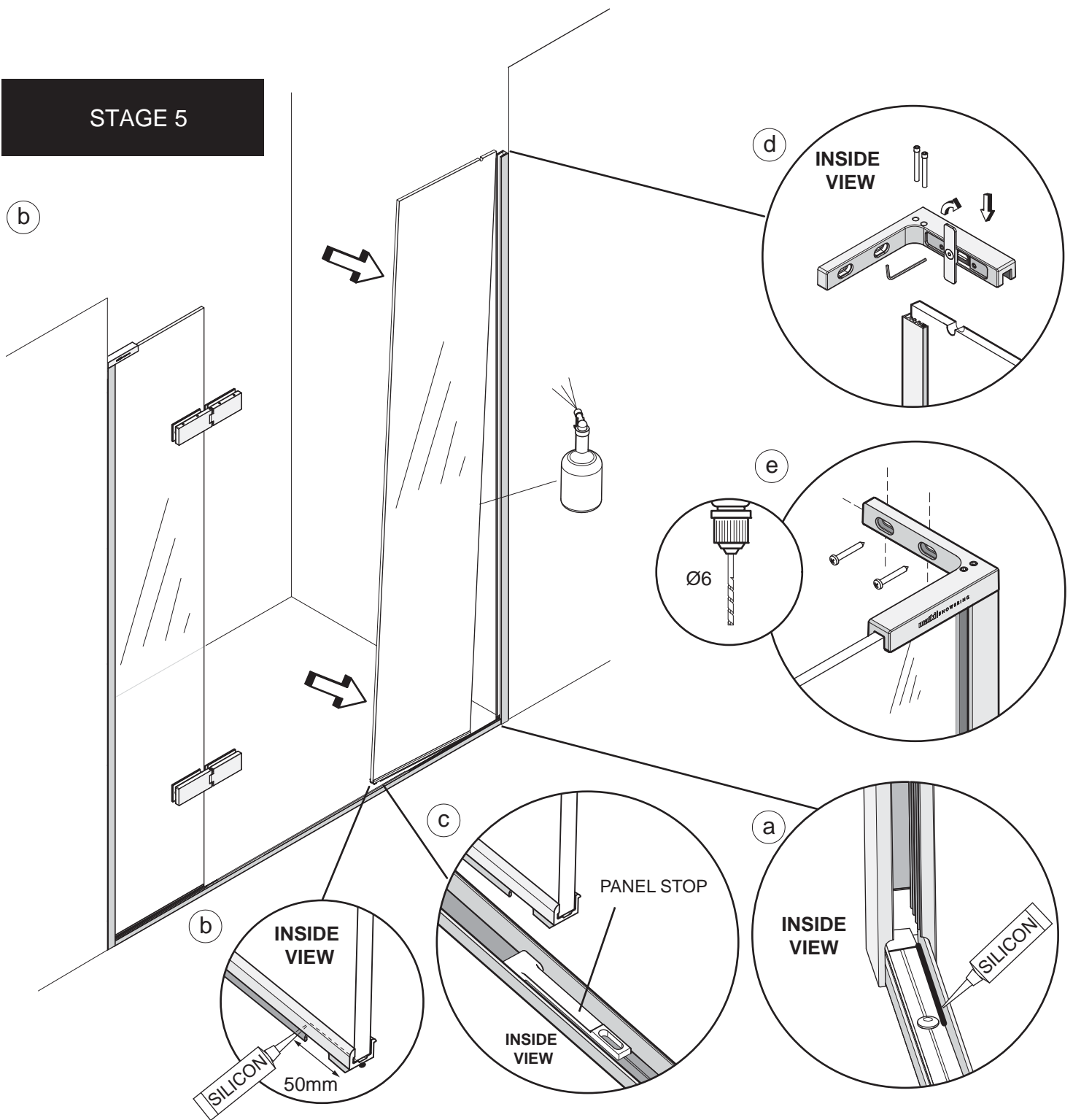
### This stage is describing the fitting of the Hinges to the Hinge panel.

**a.** Remove and set aside the Hinge panel back plates from the Hinge assemblies (**Hinge panel = female side of the Hinges, Door = male**). Place the upper Hinge assembly on to the face of the Hinge panel glass over the Adjuster block (factory fitted). (The Hinges are handed top and bottom, ensure the Socket set screws are visible on the top of the top Hinge and on the underside of the lower Hinge). Push the Hinge assembly so that it is fully adjusted over towards the Hinge panel wall side.

**b.** Re-fit the Back plate to fix the Hinge assembly to Hinge panel glass. Repeat for the Lower hinge assembly.

**c.** On the Hinge panel side of the Hinge assemblies - Tighten down the top inner Socket set screw on the upper Hinge and the underside outer Socket set screw on the lower hinge to lift the Hinge upwards. **We recommend that you angle the Hinges slightly upwards towards the Door side to allow the Hinge to be adjusted downward to horizontal when the Door is fitted.**

## STAGE 5



**This stage is describing the fitting of the Fixed panel.**

**a.** Apply a bead of Silicon along the front inside edge of the Threshold up to the adjuster screw.

**b. IMPORTANT - Before fitting the Fixed panel, at the opening side of the panel apply a 50mm bead of Silicon sealant central to the underside of the extrusion.** Lightly wet the edge of the Inline closure panel with soapy water and gently lower the panel into the Wall mount and Threshold extrusion. Push the top of the panel into the Wall mount first, followed by the bottom.

**c.** Before the Panel is fully fitted into the Threshold extrusion, place the Panel Stop under the section bonded to the Inline panel aligning the larger end of the stop, rounded face up, with the cut out in the extrusion.

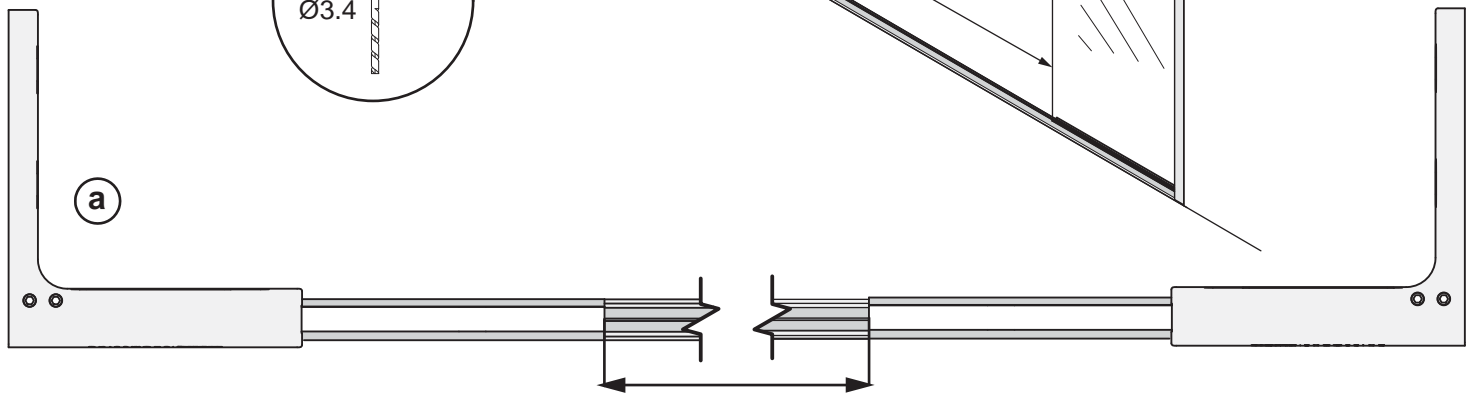
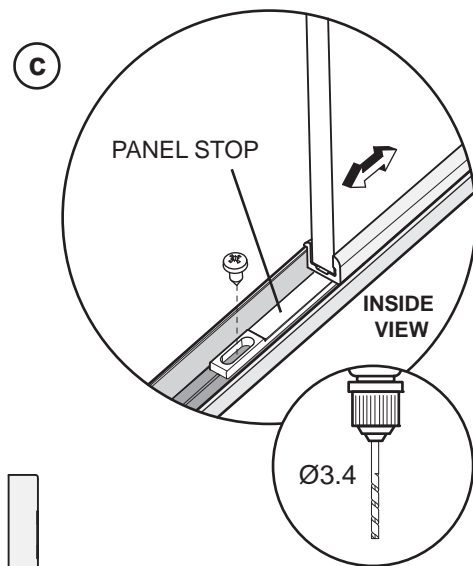
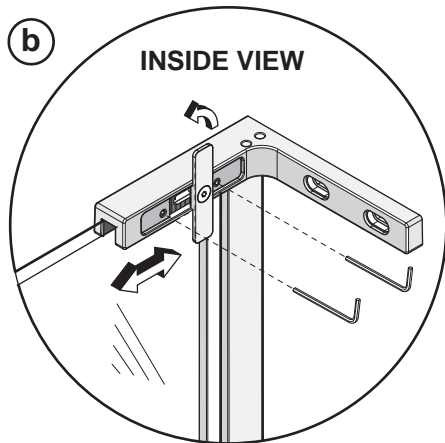
**d. Fitting of Fixed panel top bracket:** Loosen the Countersunk socket screw in the Top bracket back plate until the Back plate can be rotated. Rotate the Back plate 180° to vertical. The plate should now adjust left to right, moving the Glass stop and Glass gasket with it. Carefully fit the Top Bracket over the glass panel, the Glass stop should fit into the notch in the top of the Fixed panel.

**e.** Mark the centre of the slotted holes in the Top bracket onto the Wall, remove the Top Bracket and drill and fix the wall plugs.

**d.** Re fit the Top Bracket. Fit the 2 x Socket cap screws through the Top Bracket into the extrusion. Tighten the 2 off M5 x 4 Socket set screws (do not over tighten). Rotate the Back plate to fit into the Top bracket recess and re fit the Countersunk socket screw (do not over tighten).

**e.** Fix the Top Bracket to the Wall using the No.8 x 32 Pan Head screws.

## STAGE 6



Model 600 = 569mm +3 -0  
 Model 700 = 669mm +3 -0  
 Model 800 = 769mm +3 -0

### This stage is describing the adjusting the door opening.

**a.** Measure the distance of the door opening between the edge of the Hinge panel glass and the edge of the Closure panel glass. This dimension should be within the tolerance of the specified dimensions above. Using a level ensure the Hinge panel glass and Closure panel are upright. The clip in Infill track can be used as a guide to the door opening distance.

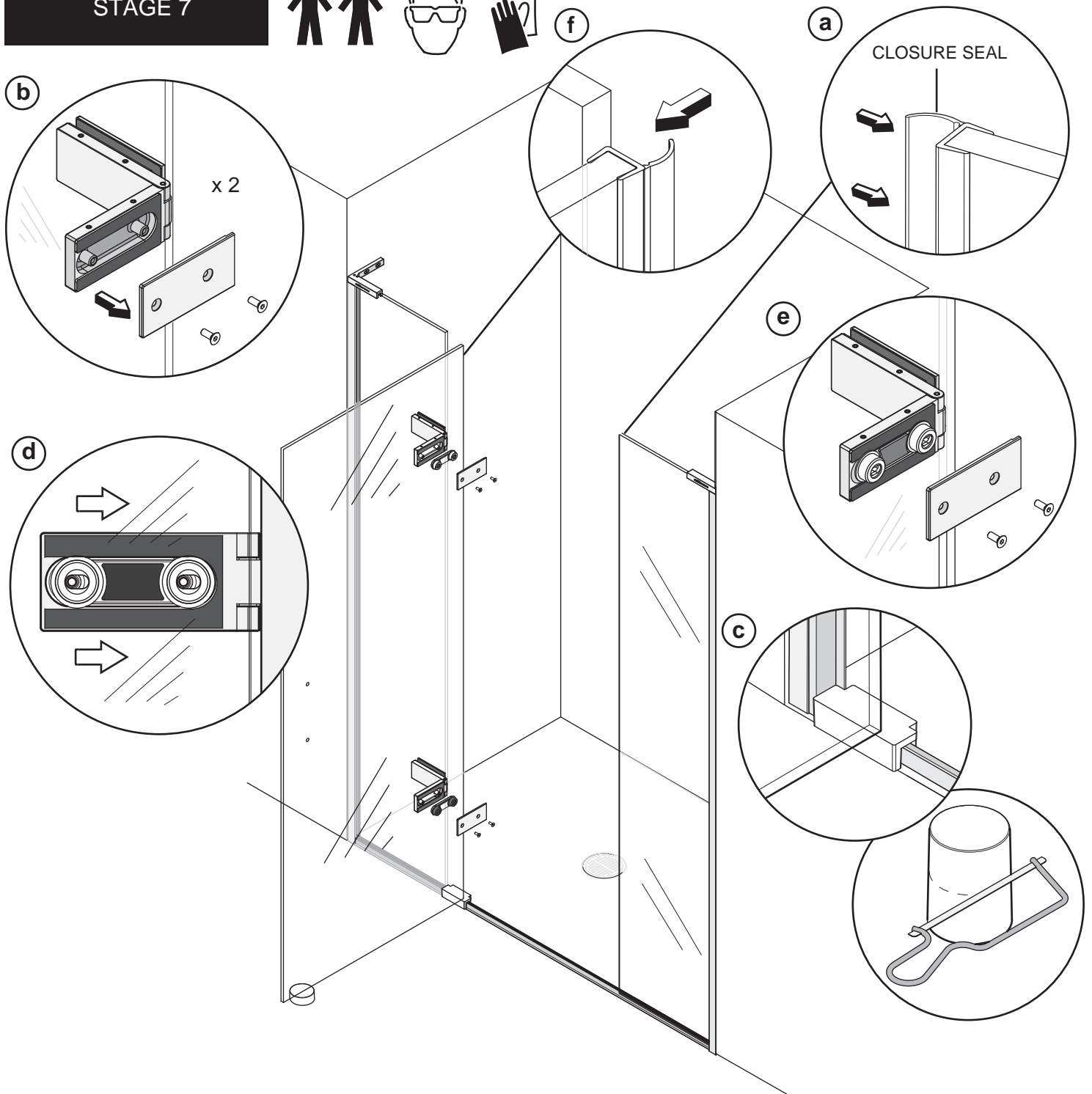
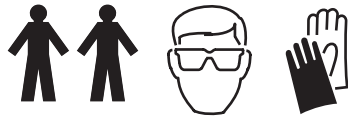
**If adjustment is needed, the Hinge panel and Closure panel can both be adjusted out by 15mm. Once the panels are in position, drill and fix the Panel stops in the centre of the slotted hole using the No.8 x 9.5 Pan head screw (e).**

**b.** To adjust out the Hinge panel/Closure panel at the top - Rotate the Top bracket back plate to vertical. Loosen the 2 M5 x 4 Socket set screws and adjust the panel. Plumb for upright, retighten the Socket sets screws and rotate the Back plate into position and tighten.

**c.** To adjust out the Hinge panel/Closure panel at the bottom - Adjust the panel, plumb for upright. Drill and fix the Panel stop in the centre of the slotted hole using the No.8 x 9.5 Pan head screw.



## STAGE 7



### This stage is describing the hanging of the Door.

**a.** Push fit the Door Closure seal to the edge of the Fixed panel.

**b.** Remove and set aside the Hinge back plates on door side of the Hinges.

**c.** Place the Door assembly block over the track on the Hinge side of the Door opening. The tubular Door support can be used to support the other end of the door. Measure and mark the Door support so that the top is parallel with the top of the Door assembly block. Cut to size as required using a Hacksaw. Note: Glass can break, please handle carefully and do not place on/against a hard surface.

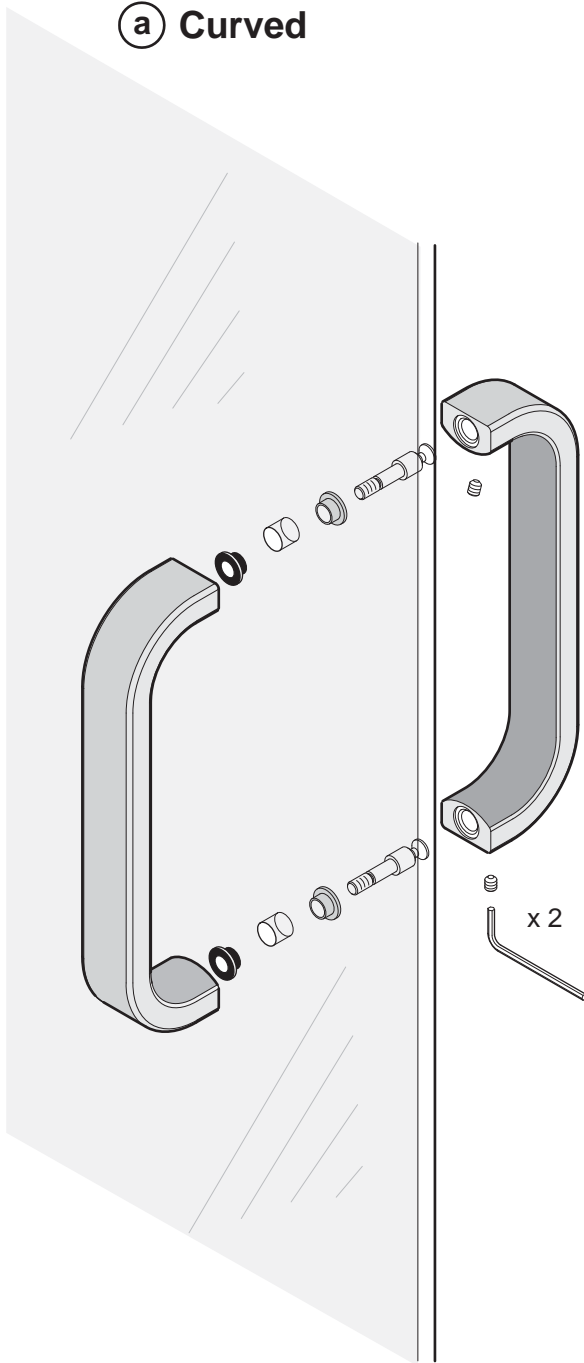
**d.** We recommend 2 people are available for this stage and the use of Safety glasses and Non slip gloves when handling glass panels - Carefully lift the Door onto the Hinges, ensuring the Adjustment blocks fitted to the glass are on the Hinge side. The Door support and assembly block will now help to align the Door glass with the Hinges. The door has left to right adjustment, push the Door glass fully towards the inside of the enclosure (on minimum adjustment)

**e.** Re-fit the back plates.

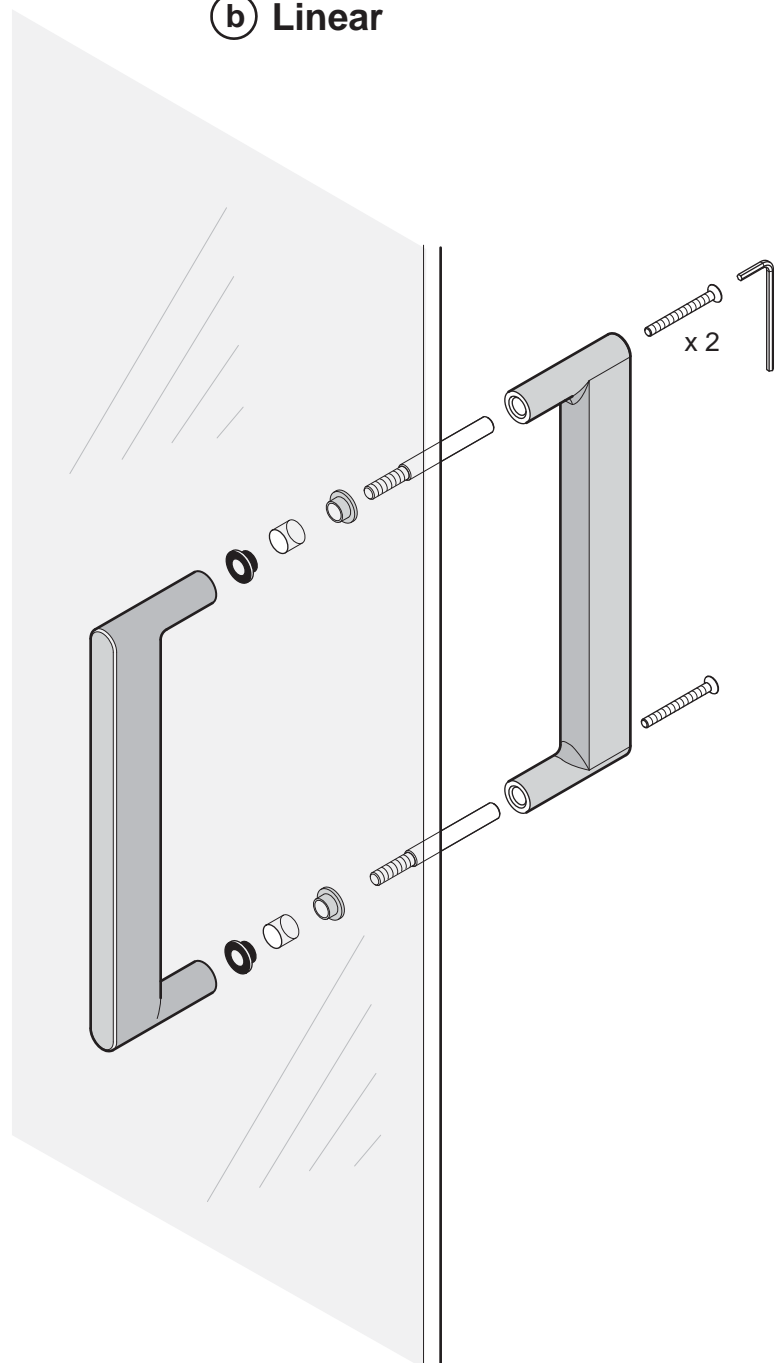
**f.** Push fit the Door seal to the Hinge side of the Door.

## STAGE 8

### a Curved



### b Linear

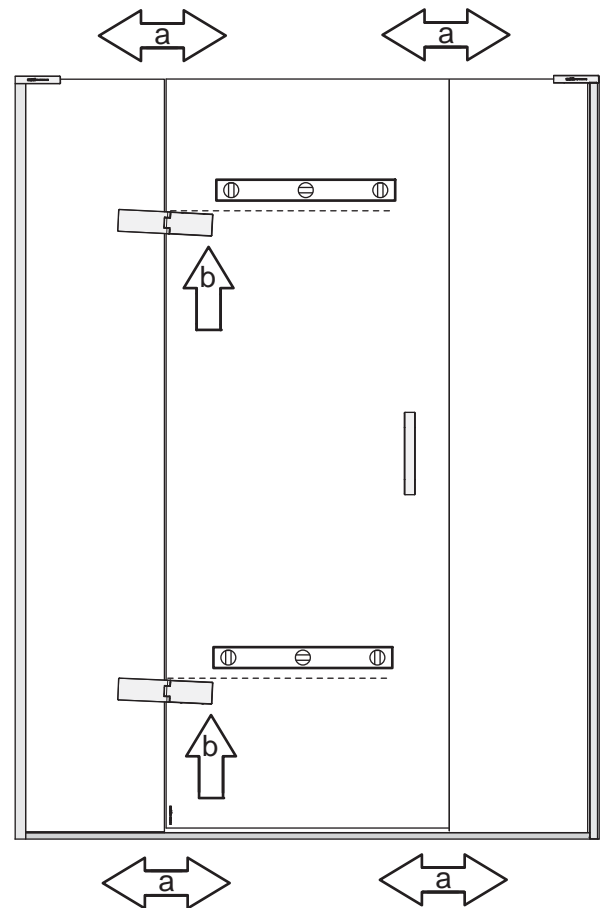
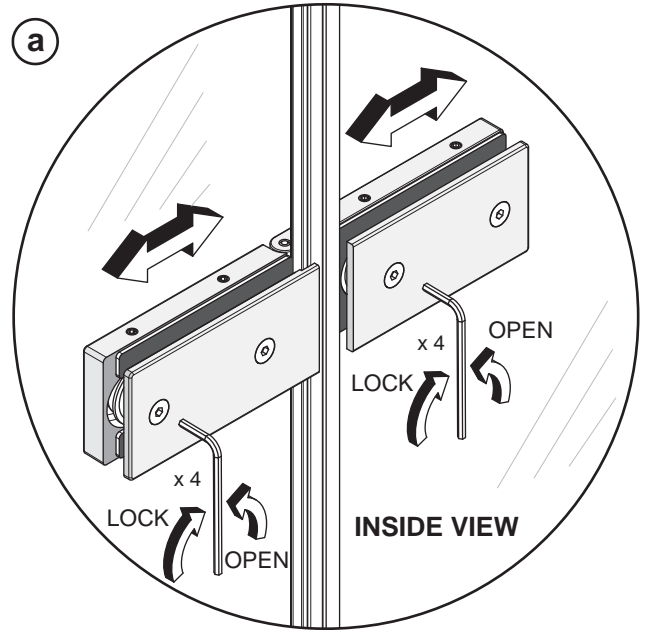
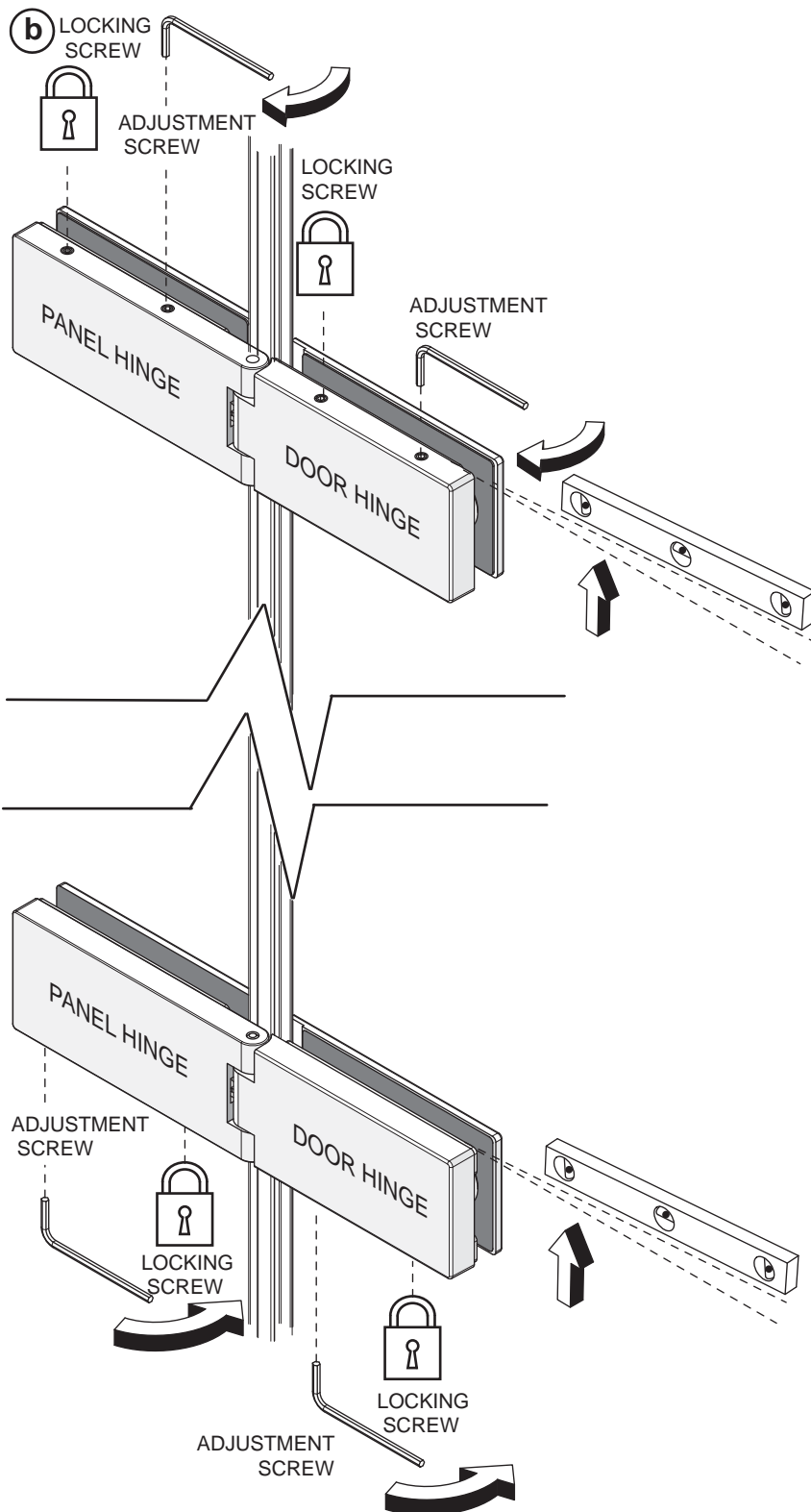


#### This stage is describing the fitting of the Door Handle

**a. Curved Handle only** - Disassemble the handle by loosening the 2 x M5 x 6 Socket set screws on the underside of the inside Handle. Unscrew the 2 x Handle connectors. Place the 4 x black glass washers either side of the 2 holes in the Door glass. Place the front Handle up to the outside of the glass screwing through the Handle connectors from the inside to hold the front Handle in position. Once the front Handle is secure, place the back Handle onto the Handle connectors, secure in position by tightening the 2 x Socket set screws on the underside of the back Handle.

**b. Linear Handle only** - Disassemble the handle by unscrewing the 2 x M4 x 40 Csk socket screws and removing the back handle. Place the 4 x black glass washers either side of the 2 holes in the Door glass. Carefully fit the front Handle and Handle connectors through the 2 holes in the Door glass. Fit the back Handle onto the Handle connectors and fix into position by fitting the 2 x M4 x 40 Csk socket screws.

## STAGE 9

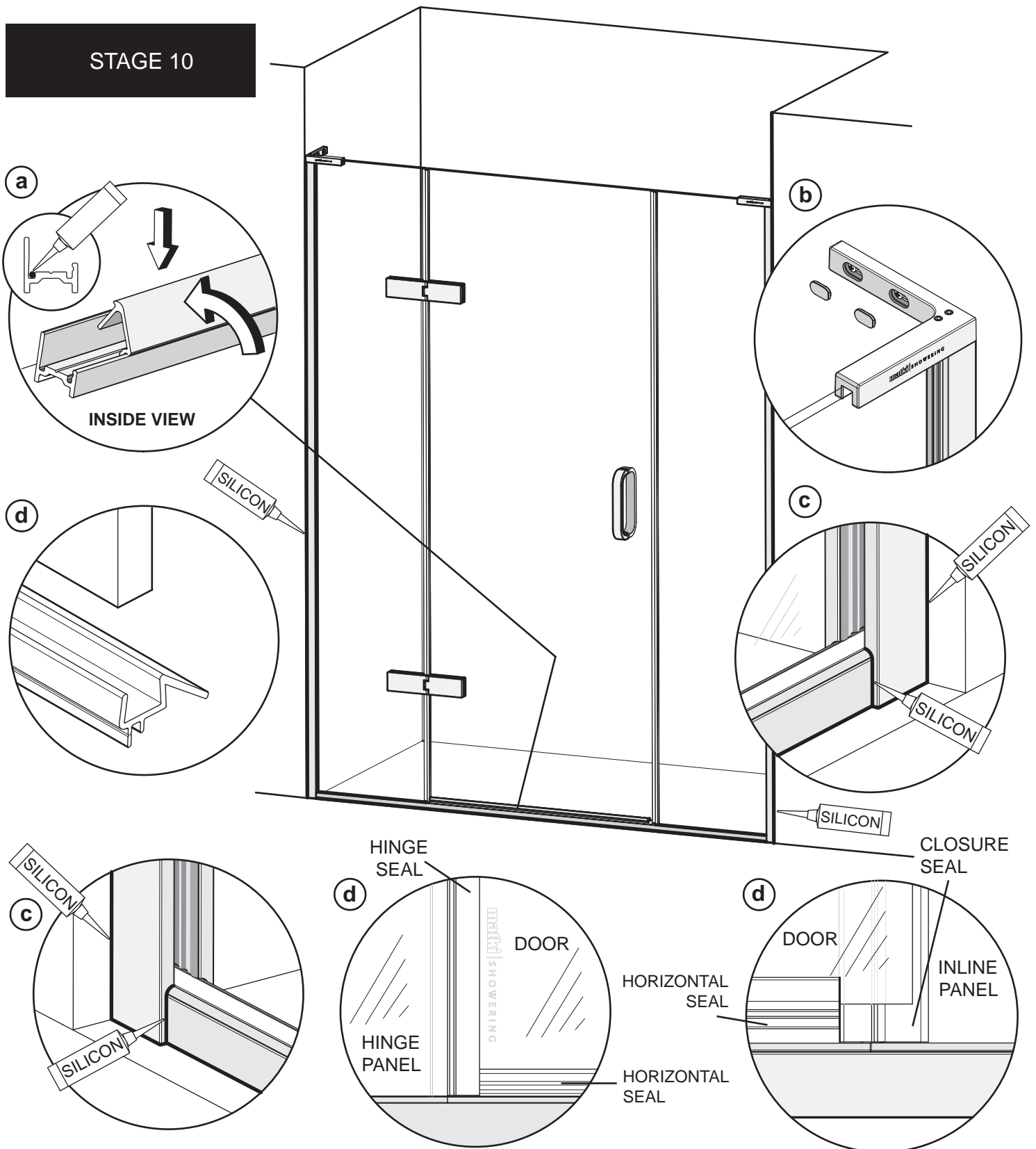


### This stage is describing the Door adjustment

**a.** The Door glass can be adjusted left to right to open/close the distance between the edge of the Door glass and the Closure seal and also the edge of the Door glass and the Hinge panel. Loosen the 4 x M6 x 16 Csk socket screws in the back of the Door side of the hinges, adjust the Door left or right. Retighten the 4 x Csk socket screws. Repeat if necessary on the Hinge panel side of the hinges.

**b.** To lift the Hinges on the Door side, tighten down the top outer Socket set screw on the upper Door hinge and the underside inner Socket set screw on the lower Door hinge. Lock the Door hinge in position by tightening the top inner Socket set screw and the underside outer Socket set screw on the lower Hinge. To lift the Hinges on the panel side, tighten down the top inner Socket set screw on the upper Panel hinge and the underside outer Socket set screw on the lower Panel hinge. Lock the Panel hinge in position by tightening the top outer Socket set screw and the underside inner Socket set screw on the lower Panel hinge.

## STAGE 10



### This stage is describing fitting the Caps and Seals

**a.** Apply a bead of Silicon along the inside length of the Threshold in the recess at the front of the track. Clip the Infill track into the threshold extrusion by hooking the inside leg down first then pushing the front until the track snaps into position. The Infill track should fit tightly between the Hinge panel glass extrusion and the Inline Panel.

**b.** Push fit the 4 x Screw covers into the adjustment holes in the Top brackets.

**c.** Apply a thin bead of silicon along the bottom edge of both the Wall Mounts and all the way up the outside of both the Wall mount extrusions between the Wall Mounts and the tiles. Apply a thin bead all the way along the Threshold between the extrusion and the Finished floor surface/tray. Continue around the joint where the Threshold joins the Wall mounts. Masking tape can be used to achieve a tidy edge to the sealant. Remove the masking tape immediately and allow the silicon to cure for 24 hours before using the shower.

**d.** Fit the Door Horizontal Seal to underside of the Door glass. Some trimming may be required. The seal should fit between the edge of the Hinge panel glass and the edge of the fin on the Door closure seal.

## NOTES

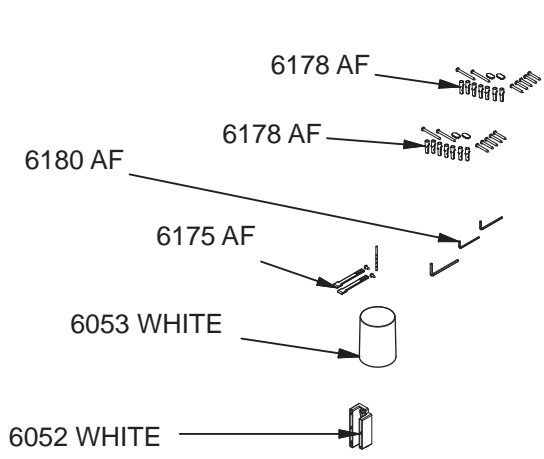
This page is left intentionally blank

# PARTS LIST

PARTS LIST				
ITEM	DESCRIPTION	PART No.	QTY	LENGTH
1*	DOOR	SPECIFY MODEL SIZE	1	
2*	HINGE PANEL	SPECIFY MODEL SIZE	1	
3	EAUZONE PLUS WALL MOUNT	5626 A SILVER	2	2000 mm
4*	FIXED PANEL HORIZONTAL	SPECIFY MODEL SIZE	1	
5*	INLINE CLOSURE PANEL	SPECIFY MODEL SIZE	1	
6*	HORIZONTAL CLIP-IN COVER	SPECIFY MODEL SIZE	1	
7*	100 RECESS LOWER HORIZONTAL	SPECIFY MODEL SIZE	1	
8*	FIXED PANEL HORIZONTAL	SPECIFY MODEL SIZE	1	
9*	100 HORIZONTAL DOOR SEAL (700)	6055 CLEAR	1	650 mm
9*	100 HORIZONTAL DOOR SEAL (800)	6056 CLEAR	1	750 mm
10	WALL PLUG	1818 AF	14	
11	WALL MOUNT EXTRUSION STOP	6049 A SILVER	2	
12	HINGE-GLASS INTERFACE(2mm)	6041 BLACK	8	
13	WALL MOUNT GASKET	1752 AF	4	1984 mm
14	HINGE CLOSURE SEAL	6062 CLEAR	2	
15	PANEL HINGE UPPER AND LOWER	6189 AF	1	
16*	CURVED BAR HANDLE	6184 AF	1	
16*	LINEAR BAR HANDLE	6185 AF	1	
17	ADJUSTMENT BLOCK	6040 A SILVER	4	
18	ADJUSTMENT BLOCK GASKET	4561 AF	4	
19	HINGE PLATE GASKET	4559 AF	4	
20	HINGE GASKET	4560 AF	4	
21	LH TOP WALL BRACKET	6183 AF	1	
22	RH TOP WALL BRACKET	6182 AF	1	
23	INLINE PARTS KIT	6175 AF	1	
24	WALL MOUNT & TOP BRACKET PARTS KIT	6178 AF	2	
25	PANEL HINGE PARTS KIT	6180 AF	1	
26	DOOR ASSEMBLY BLOCK	6052 WHITE	1	
27	DOOR ASSEMBLY SUPPORT	6053 WHITE	1	
29	PANEL EXTRUSION STOP	6048 A SILVER	1	
30	M4 x 6 SOCKET BUTTON HEAD SCREW	1518 A SILVER	2	
31	WALL MOUNT EXTRUSION TOP NUT	6085 A SILVER	2	

\* ITEM VARIES DEPENDING ON MODEL

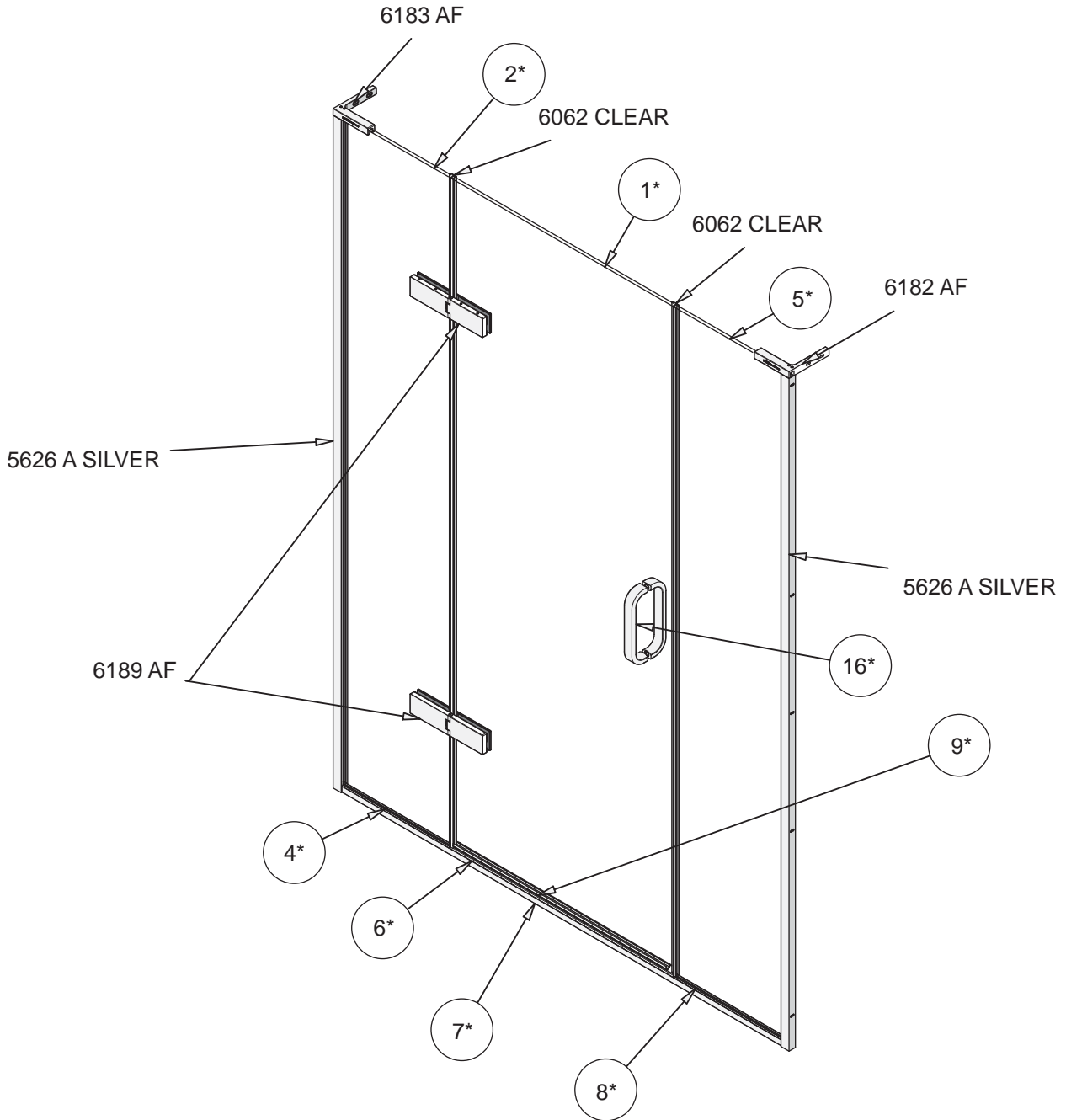
# PARTS LIST



<b>PARTS KIT 6178 AF</b>
4 x No.8 x 32 PAN HEAD S/TAP SCREW
7 x WALL PLUG
2 x No.8 x 50 PAN HEAD S/TAP SCREW
2 x BRACKET CAPS

<b>PARTS KIT 6180 AF</b>
1 x 4mm ALLEN KEY
1 x 2.5mm ALLEN KEY
1 x 3mm ALLEN KEY

<b>PARTS KIT 6175 AF</b>
2 x No.8 x 9.5 PAN HEAD S/TAP SCREW
2 x PANEL STOP
1 x 3.2mm DRILL PIECE



## MAINTENANCE

### Matki Glass Guard Easy Clean Surface Protection (optional) and General Cleaning Guide

#### Cleaning Instructions

Matki Glass Guard allows water to form minute beads which easily trickle off the surface of the glass. This makes the glass easier to clean - the glass does not need to be cleaned as frequently, but it does require occasional maintenance. As less cleaning is required the use of detergents can be minimised thus helping to protect the environment. The lifespan of the Matki Glass Guard is dependant on the frequency of use of the shower and the degree of water hardness.

The combination of alkaline materials and humidity affects glass in an extremely aggressive way. Do not use bleach, alkaline, acid-based or aggressive and abrasive glass cleaners, detergents or household cleaning products on the glass or frames.

We recommend that glass is washed down with clean water and a soft clean cloth or sponge and dried off with a microfibre cloth.

The special coating is only present on the inside of the glass.

Matki Glass Guard is guaranteed for 2 years provided that the guidelines and cleaning instructions are followed.

Aluminium and Chrome parts should be cleaned with a mild non scratch household cleaner and a soft cloth or sponge.

Do not use acidic-based descaler products or products which are unsuitable for cleaning enamelled surfaces, including abrasive cleaners or cleaners containing bleach or solvents, as the products will effect the anodised framework. Under no circumstances use cleaners with a pH level exceeding 8.

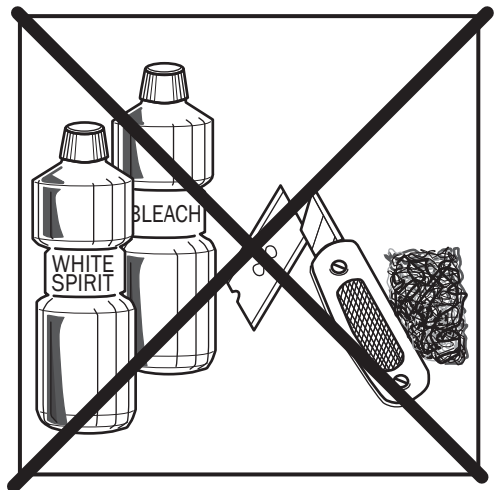
Matki does not recommend the use of 'Leave-on' shower cleaners on Matki Glass Guard Products.

**Water Softeners and Glass Guard** - Certain types of water softeners increase the alkalinity of the water due to a carry-over of Chloride during re-generation which can cause aggressive water spots on both untreated and Glass Guarded glass. If using a water softener we recommend a two-cylinder machine with automatic re-generation instead of a timer. If a single-cylinder water softener with timer is already installed it is recommended that after each shower excess water is removed from the glass with a squeegee or with a micro-fibre cloth.

**Annual recommended maintenance** - Matki recommend annually lubricating the barrel of the hinge with a lubricating spray such as WD-40 to remove dust build-up and to aid the movement of the hinge.



Wash down with clean warm water and a soft clean cloth or sponge.



Do not use bleach, alkaline or acid-based, aggressive or abrasive cleaning products.

Flash Bathroom Spray or Cif Bathroom Spray can be used on Matki Products.

Various specialist cleaning and glass dressing products are available from Ritec International Ltd Tel. 020 8344 8210 or [www.ritec.co.uk](http://www.ritec.co.uk).

Matki Plc is not connected with Ritec International Ltd in any way and the contact details are supplied for information only. Read manufacturers label before using any cleaning materials.

#### IMPORTANT

Matki Glass Guard is guaranteed for 2 years. It is essential that the cleaning instructions are followed in order to maintain the hydrophobic properties of the glass coating. In the event of the failure to comply in any way with these instructions, any warranty or guarantee will be null and void.

**MATKI PLC, CHURCHWARD ROAD, YATE, BRISTOL, BS37 5PL**  
TELEPHONE:01454 328816 (AFTER SALES) FAX:01454 328821 EMAIL: [techsupport@matki.co.uk](mailto:techsupport@matki.co.uk)



matki | SHOWERING

13

Matki PLC, Churchward Road, Yate,  
Bristol BS37 5PL

EN 14428:2008+A1