

matki

SHOWERING

EAUZONE PLUS EPSR- RECESS SLIDER

INSTALLATION

PARTS LIST



MATKI PLC, CHURCHWARD ROAD, YATE, BRISTOL, BS37 5PL
TELEPHONE:01454 328816 (AFTER SALES) FAX:01454 328821 EMAIL: techsupport@matki.co.uk



EPSR RH



EPSR LH

THE STAGES IN THIS INSTALLATION BOOKLET SHOW AN EPSR RH INSTALLATION REVERSE FOR LH

IMPORTANT

TOOLS REQUIRED

Masonry Drill bit 6mm, Tape Measure, Screw Drivers, Safety Glasses, Electric Drill, Level, Pencil, Adjustable Spanners, Non Slip Gloves

Before disposing of carton and/or commencing assembly, please check all the parts to ascertain that none are missing and they are all undamaged. No claim for missing/damaged parts will be accepted once the packing carton has been disposed of and/or assembly has commenced.

In case of query contact your Stockist with details of model number and details of serial number.

PREPARATION IMPORTANT

1. Please read complete installation instructions before fitting for enclosure and tray (if fitting).
2. We recommend that two people are available for fitting of Door, Stage 6. The **Eauzone Plus** range is **10mm Glass** construction. Large glass panels are very heavy. We recommend the use of safety glasses and non slip gloves when handling the glass panels.
3. Ensure that the product can be **fixed** to a **solid masonry wall** or suitable **timber stud work grade C16/C24** in the area behind the wall frames and panel fixing brackets.
4. Shower trays or tiled floors **must be absolutely level** where enclosures are fitted
5. If fitting a tray we recommend a **drainage test** is carried out before the tray is tiled in position.
6. The assembly should be installed onto a waterproof wall covering and installed after the tray and wall coverings are in place. Trays with tiling lips should be let into the wall with the tiling lip flush with the wall to allow the tiling to overlap the tiling lip.
7. Seal between tray and tiles. Remove any excess sealant from the area/joint between the tray and the tiles where the wall mount is to be fitted. This will ensure the wall mount fits correctly to the wall and tray/or tiled floor.

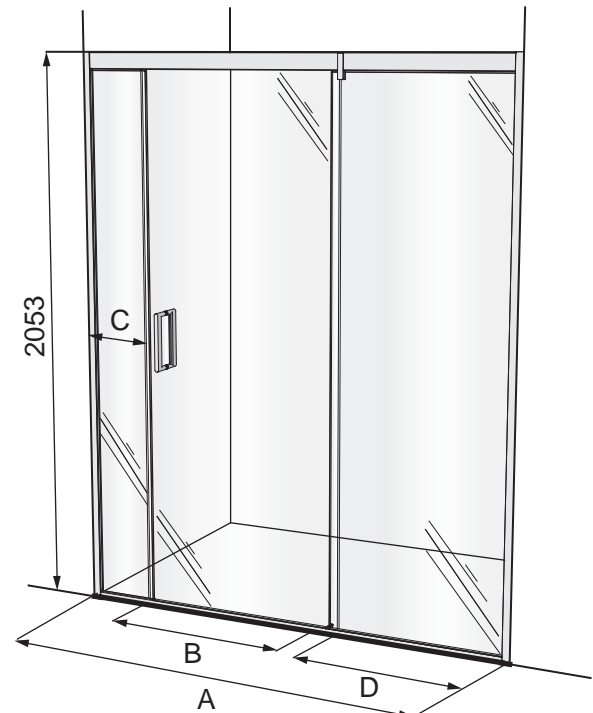
CAUTION: TEMPERED GLASS CANNOT BE CUT, POLISHED METAL AND CHROME CAN BE SCRATCHED. CAREFULLY REMOVE ASSEMBLY FROM CARTON, DO NOT PLACE GLASS ON HARD FLOOR OR EXPOSE EDGES TO IMPACT. DO NOT CUT TOP TRACK IN ANY CIRCUMSTANCES.

DIMENSIONS

Dimensions are approximate

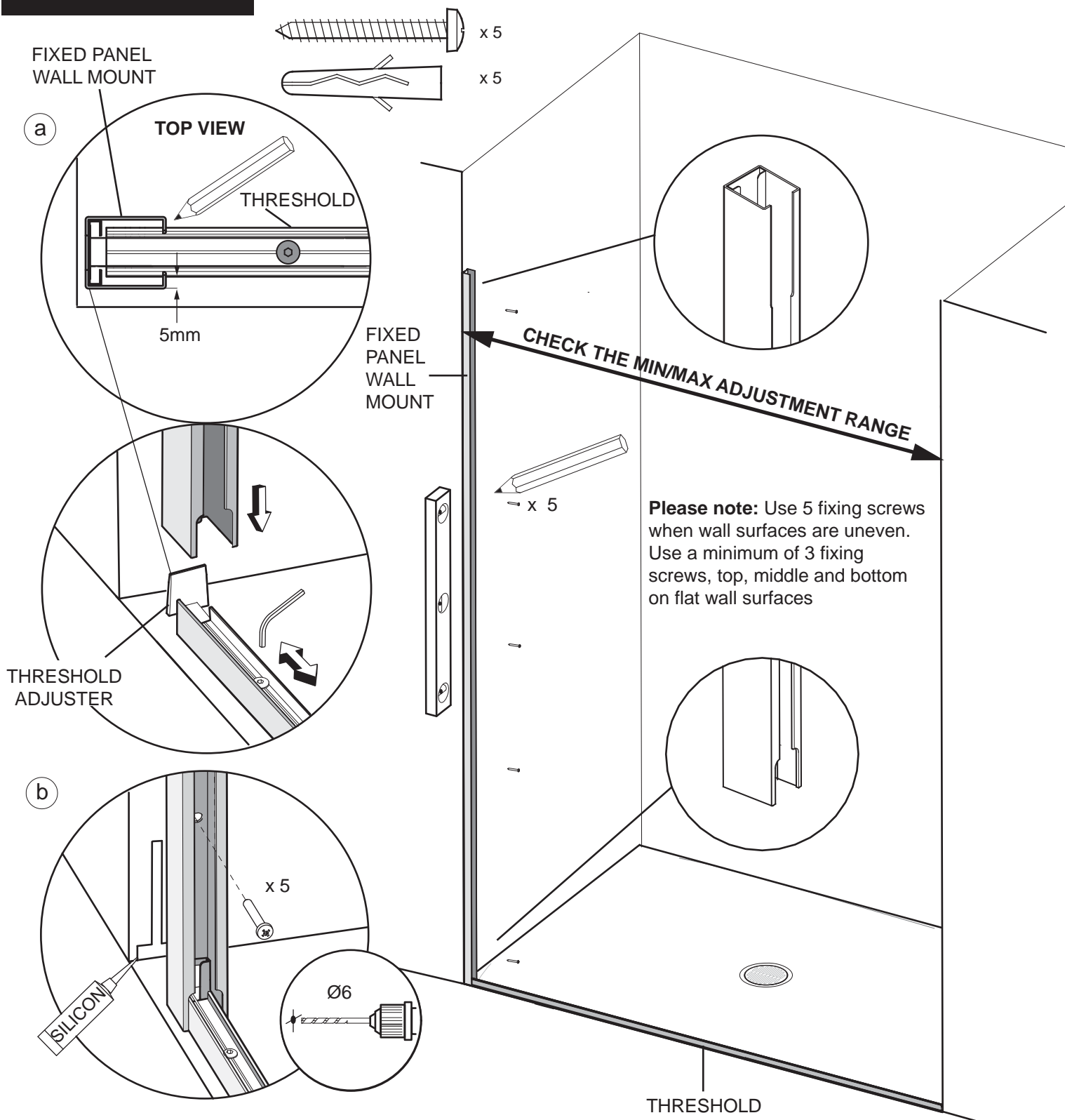
EAUZONE PLUS SLIDER RECESS

MODEL RECESS	TOTAL WIDTH A	DOOR OPENING B	CLOSURE PANEL C	FIXED PANEL D
EPSR1200	1162-1192	465	55-70	523-543
EPSR1225	1187-1217	465	80-95	523-543
EPSR1250	1212-1242	465	105-120	523-543
EPSR1275	1237-1267	465	130-145	523-543
EPSR1300	1262-1292	465	155-170	523-543
EPSR1325	1287-1317	465	180-195	523-543
EPSR1350	1312-1342	465	205-220	523-543
EPSR1375	1337-1367	465	230-245	523-543
EPSR1400	1362-1392	465	255-270	523-543
EPSR1425	1387-1417	465	280-295	523-543
EPSR1450	1412-1442	465	305-320	523-543
EPSR1475	1437-1467	465	330-345	523-543
EPSR1500	1462-1492	610	55-70	678-693
EPSR1525	1487-1517	610	80-95	678-693
EPSR1550	1512-1542	610	105-120	678-693
EPSR1575	1537-1567	610	130-145	678-693
EPSR1600	1562-1592	610	155-170	678-693
EPSR1625	1587-1617	610	180-195	678-693
EPSR1650	1612-1642	610	205-220	678-693
EPSR1675	1637-1667	610	230-245	678-693
EPSR1700	1662-1692	610	255-270	678-693
EPSR1725	1687-1717	610	280-295	678-693
EPSR1750	1712-1742	610	305-320	678-693
EPSR1775	1737-1767	610	330-345	678-693
EPSR1800	1762-1792	610	355-370	678-693



STAGE 1

IMAGES SHOW RH RECESS DOOR INSTALLATION REVERSE FOR LH.

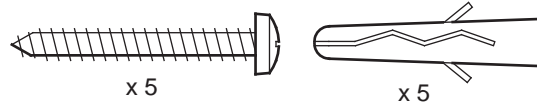


This stage is describing the fitting of the Fixed panel wall mount
Before fitting the enclosure please check that your product will fit the finished aperture size.(See dimensions)

a. Place the horizontal threshold into position on tray. (If fitting close to the front edge of the tray take into account that the front face of the fixed panel wall mount sits 3mm in front of the threshold). Position the fixed panel wall mount on to the wall over threshold (wall mount has a top and bottom, threshold cut-out should be at bottom). Ensure the threshold adjuster fits up into the back of the wall mount extrusion in the recess as shown. Adjust position of threshold adjuster as required, to adjust loosen screw only 1/2 a turn, re-tighten after adjustment, do not over tighten. Plumb the wall mount for upright and mark the fixing holes in the centre of the slots.

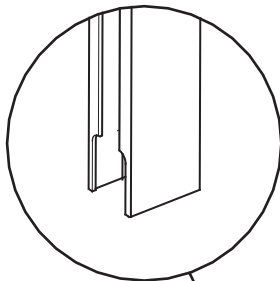
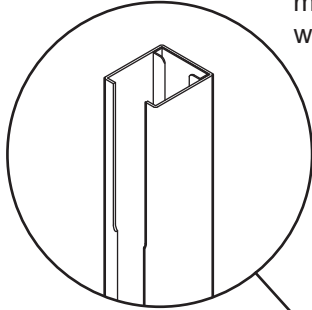
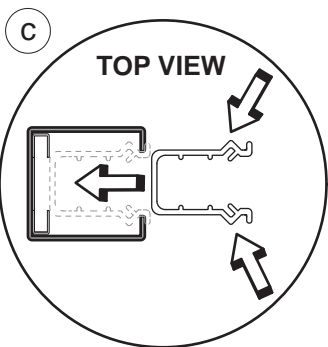
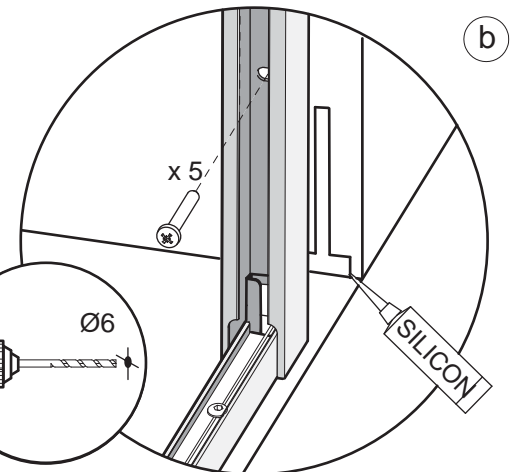
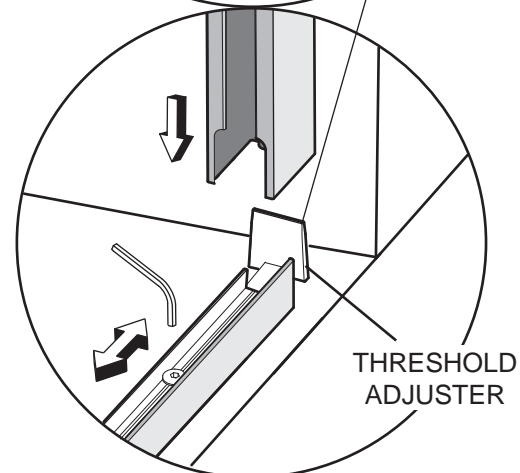
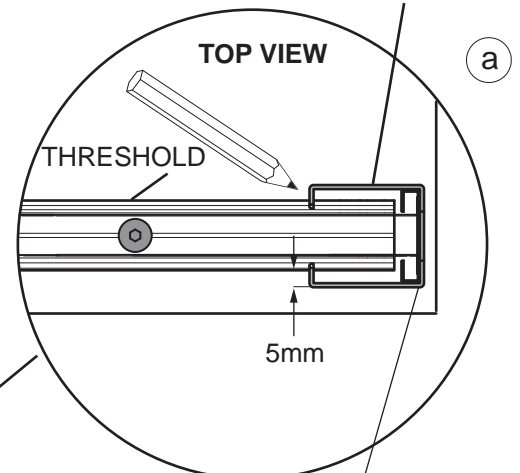
b. Drill 5 x fixing holes in the wall and insert wall plugs. Clean area and apply silicon sealant to the area behind the wall mount between the tray and tiles and 100mm up the wall, central to the width of the wall mount. Fit the wall mount using the No.8 x 32mm Pan Head Screws

STAGE 2



Please note: Use 5 fixing screws when wall surfaces are uneven. Use a minimum of 3 fixing screws, top, middle and bottom on flat wall surfaces

FIXED PANEL WALL MOUNT



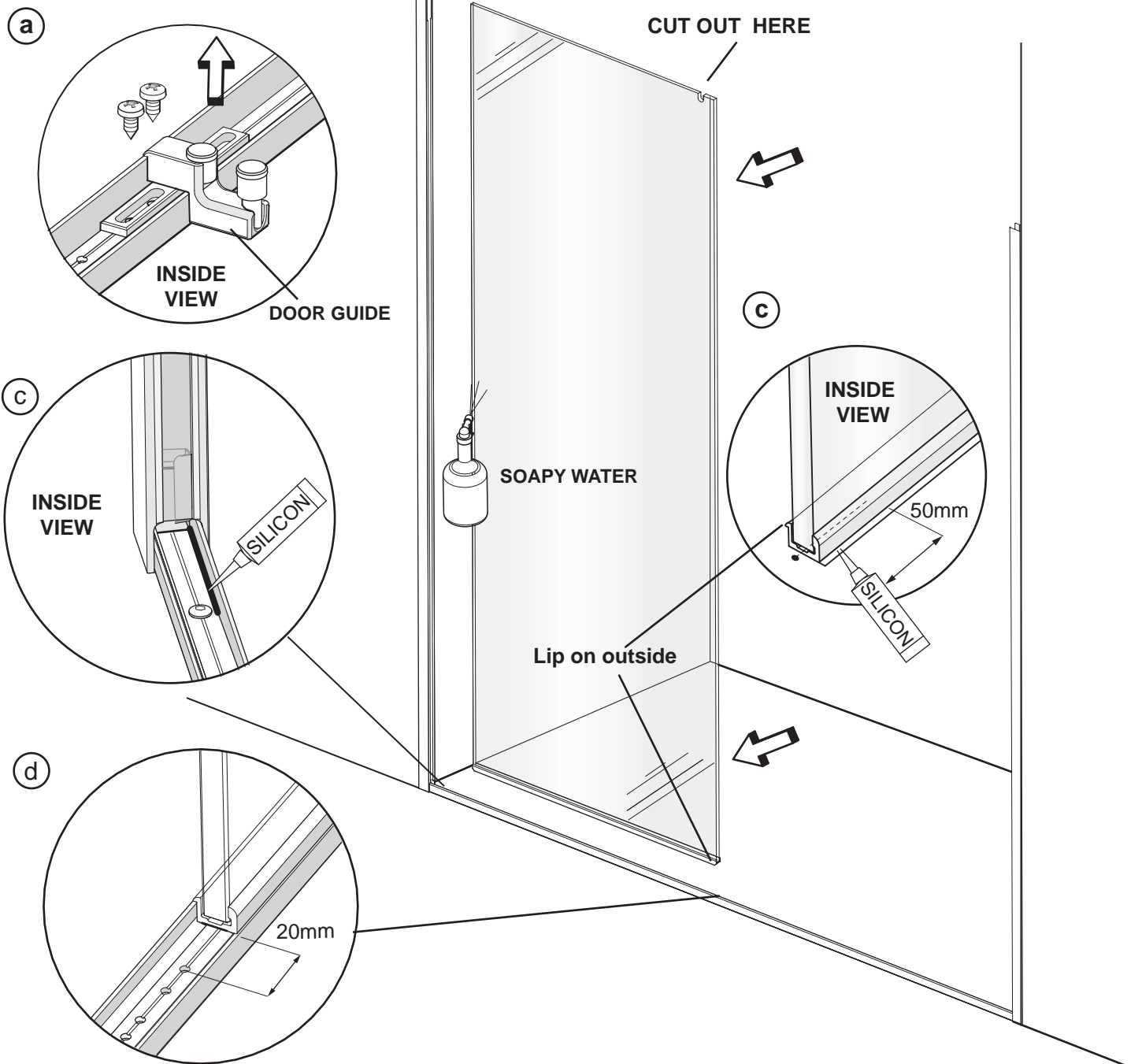
This stage is describing the fitting of the Closure panel wall mount.

a. Position the closure panel wall mount over the threshold and ensure the threshold adjuster fits up into the back of the wall mount extrusion in the recess as shown. Adjust position of threshold adjuster as required to ensure the threshold extends under the wall mount. To adjust loosen screw only 1/2 a turn, re-tighten after adjustment, do not over tighten. Plumb the wall mount for upright and mark the fixing holes in the centre of the slots.

b. Drill 5 x fixing holes in the wall and insert wall plugs. Clean the area and apply silicon sealant to the area behind the wall mount between the tray and tiles and 100mm up the wall, central to the width of the wall mount. Fit the wall mount using the No.8 x 32mm Pan Head Screw.

c. Fit the wall mount seals into both the wall mounts by pinching the sides together and fitting them into the wall mounts until they snap into position, the bottom of the seal should sit on top of the horizontal extrusion.

STAGE 3



This stage is describing the fitting of the Fixed panel.

Before fitting the fixed glass panel adjust the threshold extrusion so that it is equally positioned between the two wall mounts. Loosen the threshold adjusters at each end and lightly tighten in position as required.

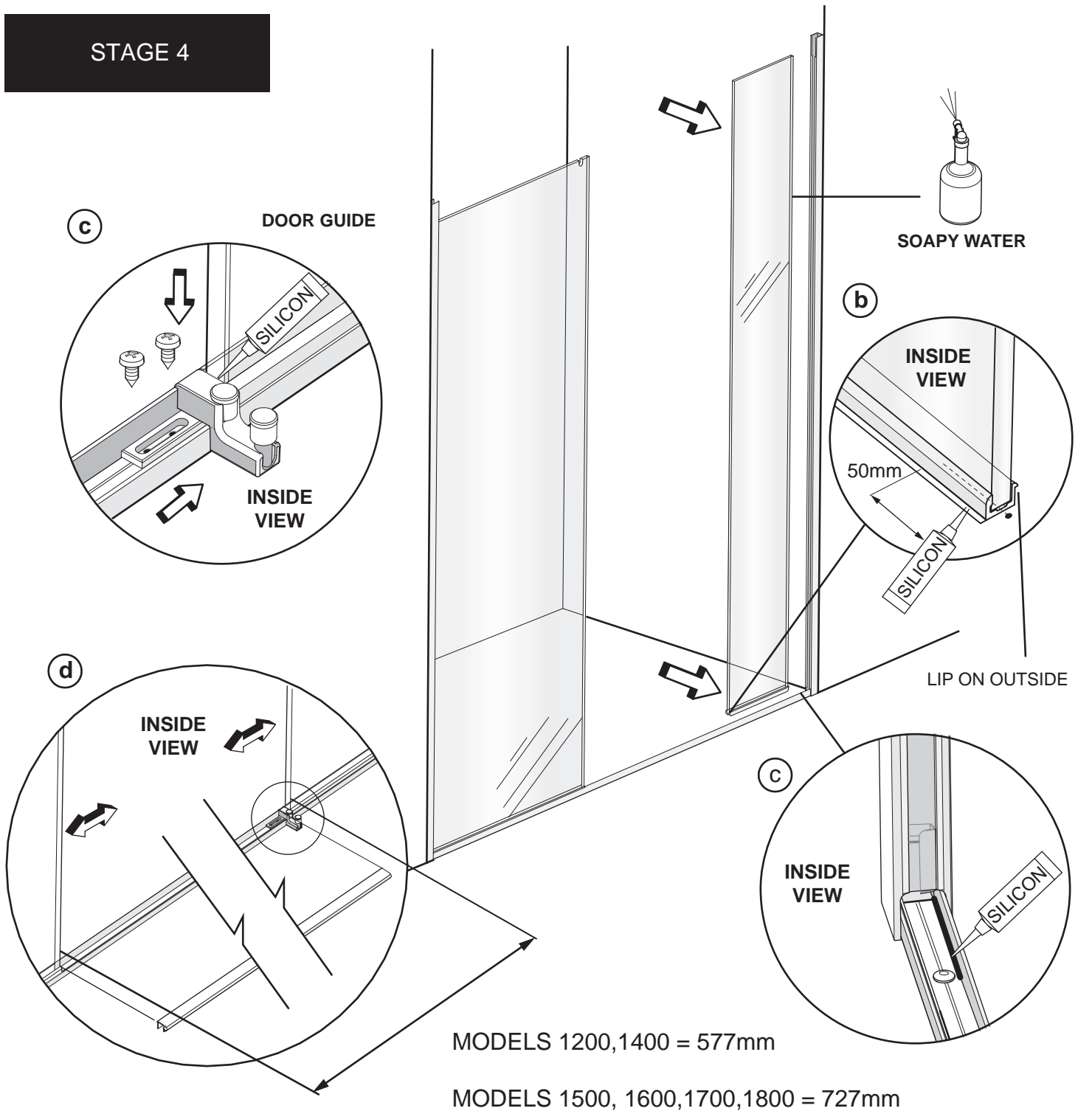
a. Remove the door guide from the threshold extrusion before fitting the fixed glass panel.

b. Apply a bead of Silicon along the front inside edge of the Threshold up to the adjuster screw.

c. IMPORTANT - Before fitting the fixed panel, apply a 50mm long bead of silicon sealant central to the underside of the extrusion. Fit the fixed panel with the cut out in the top of the glass panel outwards. Lightly wet the edge of the fixed panel with soapy water and gently lower the panel into the wall mount and threshold extrusion. Push the top of the panel into the wall mount first, followed by the bottom.

d. As a guide the end of the panel should be positioned 20mm from the first hole in the threshold track further slight adjustments may be required during the fitting of the closure panel Stage 4.

STAGE 4



This stage is describing the fitting of the Closure panel.

a. Apply a bead of Silicon along the front inside edge of the Threshold up to the adjuster screw.

b. IMPORTANT - Before fitting the closure glass panel, apply a 50mm long bead of silicon sealant central to the underside of the extrusion. For models 1200 and 1500 apply a bead of silicon along the full length of the extrusion.

Lightly wet the edge of the closure panel with soapy water and gently lower the panel into the wall mount and threshold extrusion. Push the top of the panel into the Wall mount first, followed by the bottom.

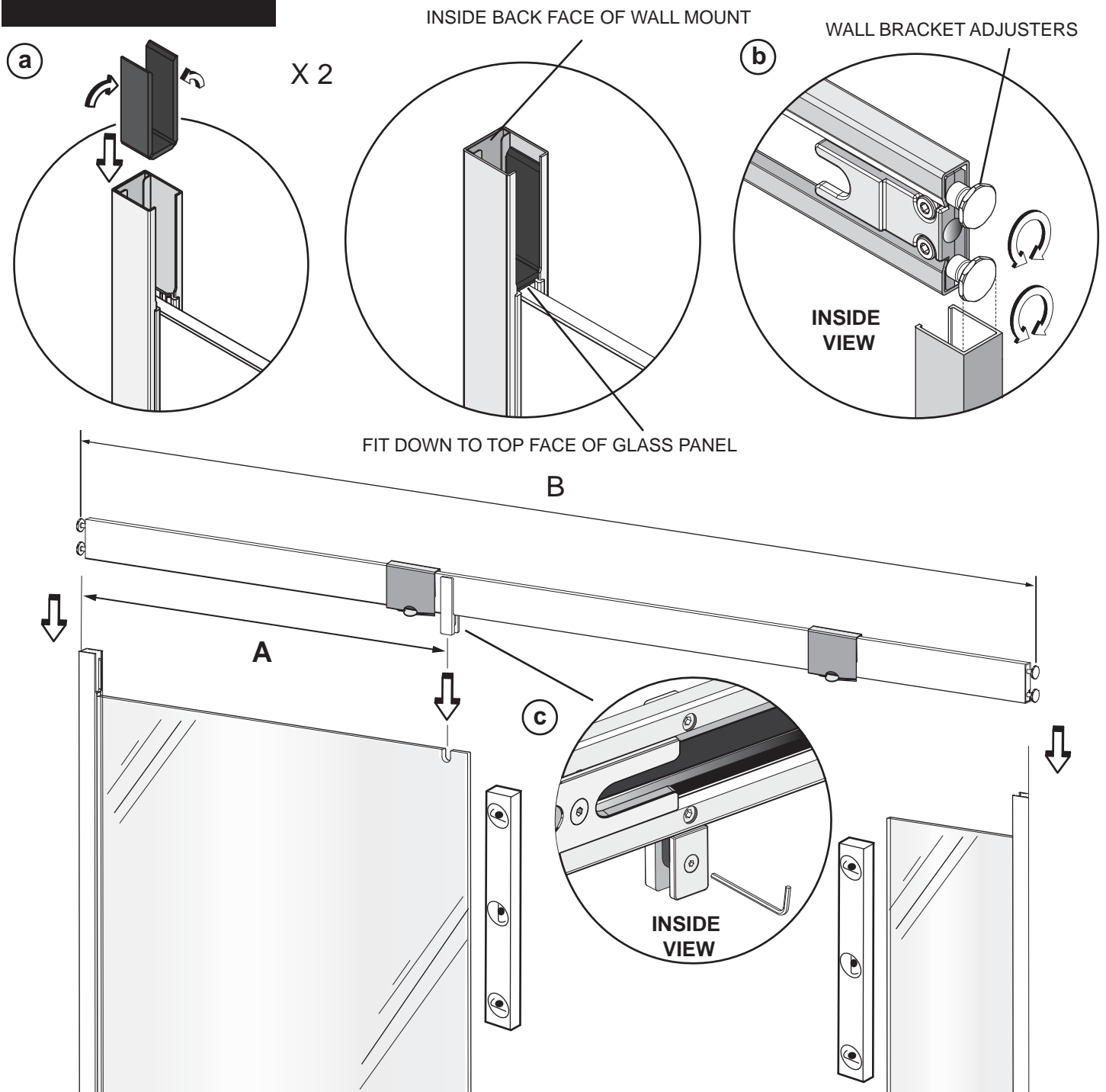
c. Fit the door guide to the threshold extrusion fitting one leg of the door guide underneath the fixed glass panel.

Set the distance between the fixed glass panel and closure glass panel for the model dimensions shown above.

Before securing the door guide apply a small bead of silicon to the end face of the fixed glass panel where it meets the door guide. Secure the door guide with the No.8 x 9.5 Pan head screws.

d. As a guide place the threshold cover extrusion between the door guide and closure glass panel to check the dimension.

STAGE 5



This stage is describing the fitting of the Top Track.

Before fitting the top track plumb the glass panels for vertical and ensure the entrance dimension is correct (See stage 4).

a. Fit the black wall mount Infills into the top of the wall mounts.

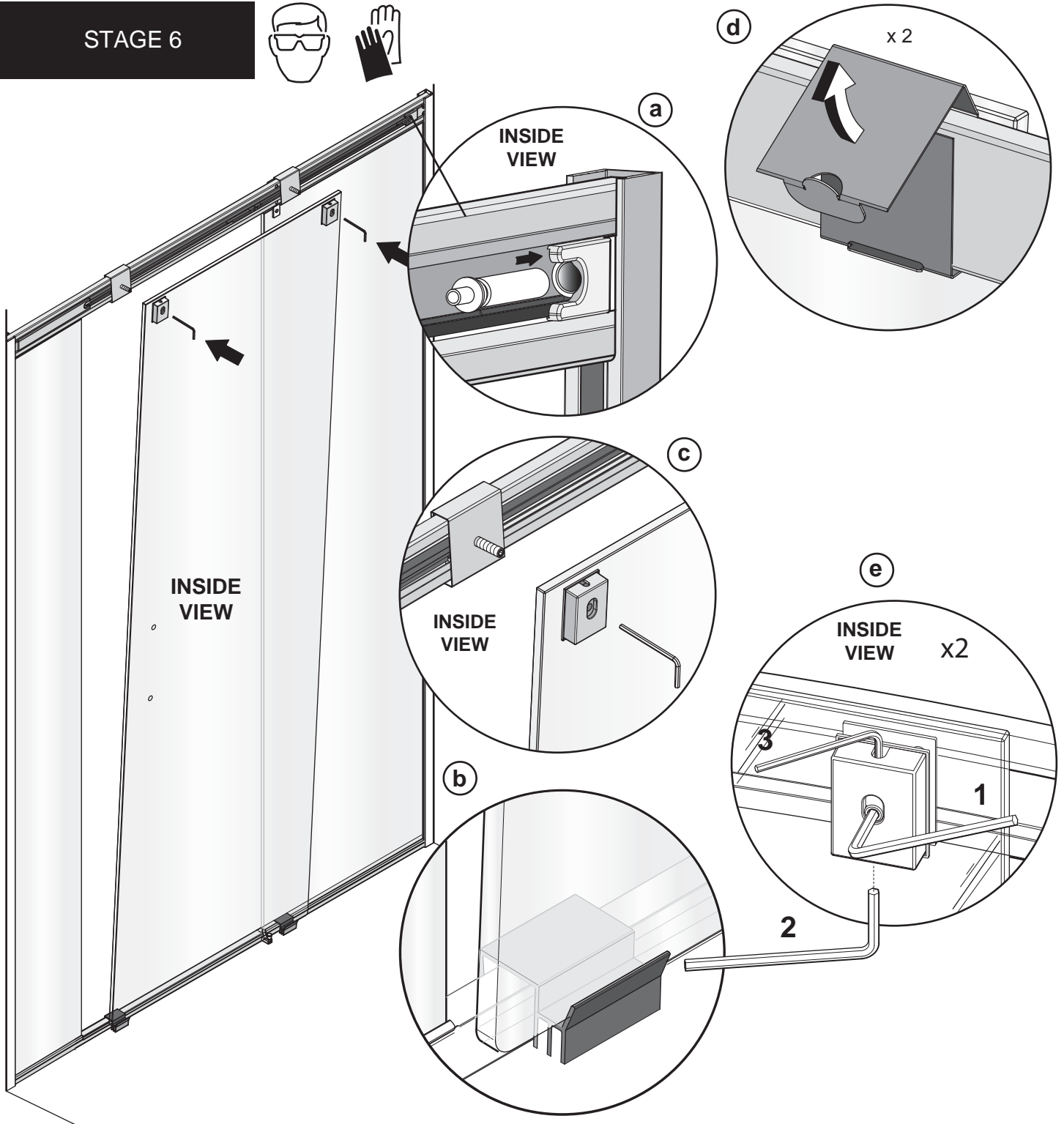
Measure dimension **A** between the inside back face of the wall mount and centre of the cut out in the fixed glass panel.

b. Adjust the wall bracket adjusters so that the distance between the centre of the top track glass clamp and back face of the wall bracket adjusters is equal to dimension **A**. Measure the total width between the inside back faces of the wall mounts dimension **B**. Adjust the opposite wall bracket adjusters so that the total width between the outside faces of the adjusters is equal to dimension **B**. **IMPORTANT - Both wall bracket adjusters need to be adjusted in/out to the same depth relative to each other, align the flat edges of the adjusters vertically to slot into the wall mounts.**

c. Loosen the fixing screw on the inside of the top track glass clamp before fitting the top track.

Carefully fit the top track into the top of the wall mounts with the wall bracket adjusters slotting down the back faces of the wall mount and the top track glass clamp into the cut out into the fixed glass panel. Tighten the top track glass clamp.

STAGE 6



This stage is describing fitting of the Door Panel.

a. Fit the top track door dampers into the wall mount brackets at each end of the top track.

b. Important - Fit the plastic threshold protectors to the Threshold track at either side of the Door opening.

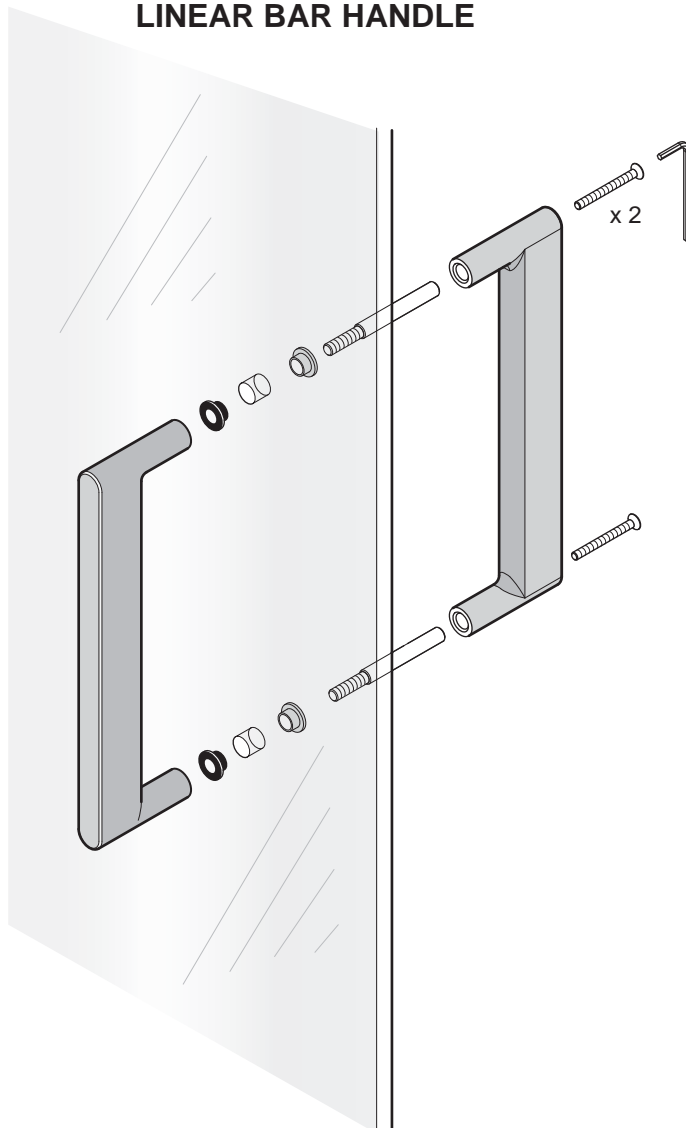
c. Load the door glass firstly onto the threshold protectors and door guide and then carefully guide the door up to the door roller threads and wind them through the door roller blocks fixed to the glass.

d. Remove both the cardboard top track door roller guides by pulling the tabs and unfolding them away from the top track.

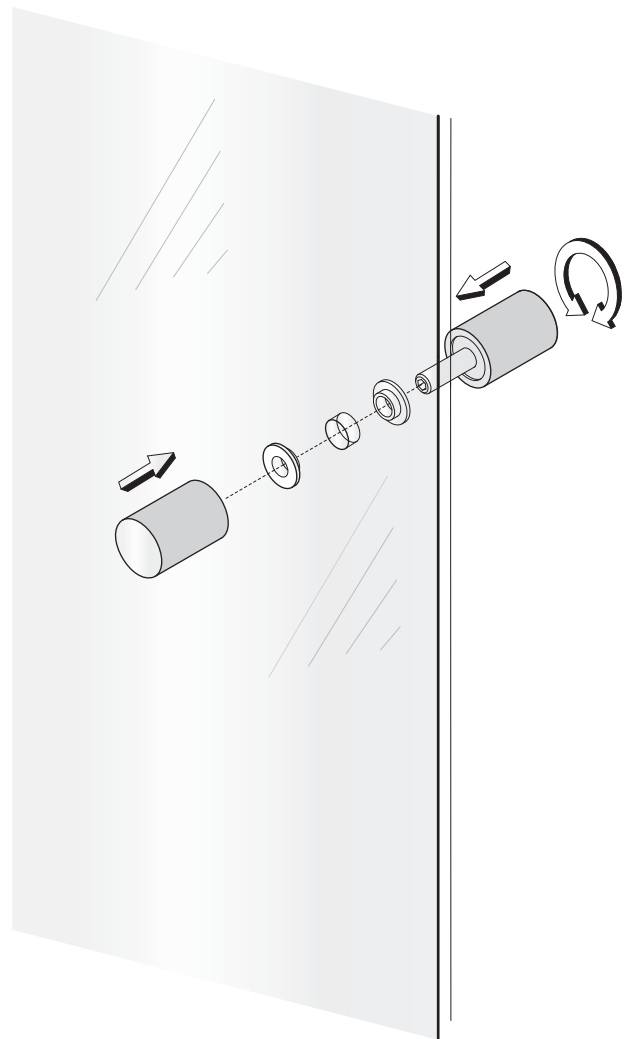
e. Adjust the door panel if required so that it runs parallel to the door opening by adjusting the Roller blocks on the inside of the door. To adjust the door away from the top track rotate the central set screw **C1** clockwise using the 4mm allen Key. To adjust the door to the top track, rotate the central set screw **C1** anti-clockwise. **c.** The door glass can also be raised or lowered by the adjustment screw **C2** in the underside of the roller block using the 4mm allen key supplied. Rotate clockwise to lower the door, rotate anti-clockwise to raise the door. **c.** Lock the adjustment with the set screw **C3** in the top of the roller block using the 2.5mm allen key supplied.

STAGE 7

LINEAR BAR HANDLE



SINGLE STRAIGHT HANDLE



This stage is describing the fitting of the Door Handle

Linear Bar handle

Disassemble the handle by unscrewing the 2 x M4 x 40 Csk socket screws and removing the back handle. Place the 4 x black glass washers either side of the 2 holes in the Door glass. Carefully fit the front Handle and Handle connectors through the 2 holes in the Door glass. Fit the back Handle onto the Handle connectors and fix into position by fitting the 2 x M4 x 40 Csk socket screws.

Single Straight handle

Fit the Door handles to the glass ensuring that the white handle washers are placed in the hole in the glass between the handles and the door glass, screw together until tight.

STAGE 8



This stage is describing fitting the Caps and Seals

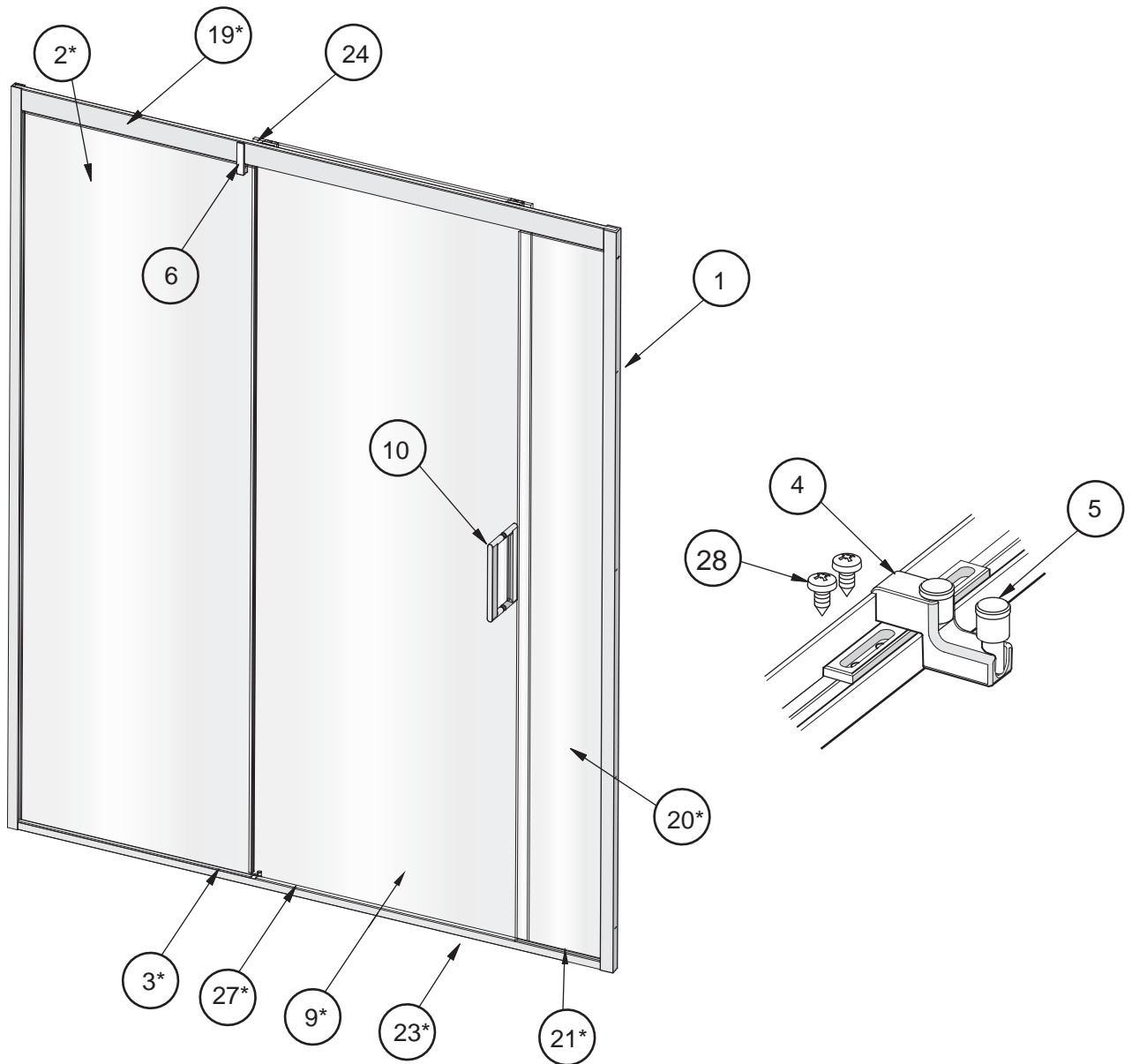
a. Fit the wall mount top caps.

b. Fit the door vertical seal to the edge of the door glass behind the fixed glass panel. The seal should fit down to the inside top face of the fixed panel frame when the door is in the closed position. Additional vertical seals are supplied that can also be fitted to the fixed panel glass and closure panel glass should they be required, subject to position of shower head and use.

c. Apply a bead of silicon along the inside length of the threshold in the recess at the front of the track. Clip the threshold cover into the threshold extrusion by hooking the inside leg down first then pushing the front until the cover snaps into position. The threshold cover should fit tightly between the closure panel glass and the door guide.

d. Apply a thin bead of silicon along the bottom edge of both the wall mounts and all the way up the outside of both the wall mount extrusions between the wall mounts and the tiles. Apply a thin bead all the way along the threshold between the extrusion and the finished floor surface/tray. Continue around the joint where the threshold joins the wall mounts and also 50mm up the joint between the Wall mount and clip in seal. Masking tape can be used to achieve a tidy edge to the sealant. Remove the masking tape immediately and allow the silicon to cure for 24 hours before using the shower.

PARTS LIST



EPSR PARTS KIT		6105 AF	
No.8 X 32 PAN HEAD SELF TAP SCREW	1471 A SILVER	10	
WALL PLUG	1818 AF	10	
WALL MOUNT TOP CAP	6662 A SILVER	2	
DAMPER	1340 AF	2	
WALL MOUNT INFIL	6659 BLACK	2	
2.5mm ALLEN KEY	1168 AF	1	
4mm ALLEN KEY	1166 AF	1	

PARTS LIST

* ITEM VARIES DEPENDING ON MODEL

PARTS LIST				
ITEM	DESCRIPTION	PART NUMBER	QTY	LENGTH
1	WALL MOUNT	5714 ASSEMBLY	2	2050mm
2 *	FIXED GLASS PANEL			
	MODEL 1200 TO 1475	7982M CLEAR/PLAIN	1	523mm
	MODEL 1500 TO 1800	7983M CLEAR/PLAIN	1	673mm
3 *	FIXED PANEL HORIZONTAL			
	MODEL 1200 TO 1475	5715 A SILVER	1	523mm
	MODEL 1500 TO 1800	5716 A SILVER	1	673mm
4	GUIDE BLOCK	5768 A SILVER	1	
5	PTFE GUIDE	6989 AF	2	
6	FIXED PANEL GLASS CLAMP FRONT	5761 A SILVER	1	
7	FIXED PANEL GLASS BUSH	5763 BLACK	1	
8	FIXED PANEL GLASS CLAMP BACK	5762 A SILVER	1	
9 *	DOOR PANEL			
	MODEL 1200 TO 1475	7980 M CLEAR/PLAIN	1	620mm
	MODEL 1500 TO 1800	7981M CLEAR/PLAIN	1	770mm
10	LINEAR BAR HANDLE	6185 AF	1	
11	WALL MOUNT BRACKET	5670 A SILVER	2	
12	WALL BRACKET FIXING	5903 AF	6	
13	WALL MOUNT ADJUSTER	8758 AF	4	
14*	BOTTOM TRACK GUIDE + INFILL 1500-1800 MODEL	8661 A SILVER + 6669 WHITE	2	
15*	BOTTOM TRACK GUIDE + INFILL 1200-1475 MODEL	8660 A SILVER + 6668 WHITE	2	
16*	TOP TRACK INFIL MODEL 1200	4603 BLACK	2	
17*	TOP TRACK INFIL MODEL 1500	4601 BLACK	2	
18	TOP TRACK INFIL STOP	5772 BLACK	4	
19*	TOP TRACK			
	MODEL 1200	5708 A SILVER	1	1150mm
	MODEL 1400	5709 A SILVER	1	1350mm
	MODEL 1500	5710 A SILVER	1	1450mm
	MODEL 1600	5711 A SILVER	1	1550mm
	MODEL 1700	5712 A SILVER	1	1650mm
	MODEL 1800	5713 A SILVER	1	1750mm
20*	CLOSURE FIXED PANEL			
	CLOSURE FIXED PANEL 1200/1500 1225/1525 1250/1550 1275/1575	7984 / 7889 / 7890 / 7891 M CLEAR/PLAIN	1	50 / 75 / 100 / 125mm
	CLOSURE FIXED PANEL 1300/1600 1325/1625 1350/1650 1375/1675	7985 / 7892 / 7893 / 7894 M CLEAR/PLAIN	1	150 / 175 / 200 / 225mm
	CLOSURE FIXED PANEL 1400/1700 1425/1725 1450/1750 1475/1775	7986 / 7895 / 7896 / 7897 M CLEAR/PLAIN	1	250 / 275 / 300 / 325mm
	CLOSURE FIXED PANEL 1800	7987M CLEAR/PLAIN	1	350mm
21*	RECESS CLOSURE PANEL HORIZONTAL			
	MODEL 1200/1500 1225/1525 1250/1550 1275/1575	5751 / 6350 / 6351 / 6352 A SILVER	1	50 / 75 / 100 / 125mm
	MODEL 1300/1600 1325/1625 1350/1650 1375/1675	5752 / 6353 / 6354 / 6355 A SILVER	1	150 / 175 / 200 / 225mm
	MODEL 1400/1700 1425/1725 1450/1750 1475/1775	5753 / 6356 / 6357 / 6358 A SILVER		250 / 275 / 300 / 325mm
	MODEL 1800	5754 A SILVER	1	350mm
22*	CORNER WALL MOUNT BRACKET	5775 A SILVER	1	
23*	RECESS HORIZONTAL			
	MODEL 1200 1225 1250 1275	5733 / 6330 / 6331 / 6332 A SILVER	1	1150 / 1175 / 1200 / 1225mm
	MODEL 1300 1325 1350 1375	6333 / 6334 / 6335 / 6336 A SILVER	1	1250 / 1275 / 1300 / 1325mm
	MODEL 1400 1425 1450 1475	5734 / 6337 / 6338 / 6339 A SILVER		1350 / 1375 / 1400 / 1425mm
	MODEL 1500 1525 1550 1575	5735 / 6340 / 6341 / 6342 A SILVER	1	1450 / 1475 / 1500 / 1525mm
	MODEL 1600 1625 1650 1675	5736 / 6343 / 6344 / 6345 A SILVER	1	1550 / 1575 / 1600 / 1625mm
	MODEL 1700 1725 1750 1775	5737 / 6346 / 6347 / 6348 A SILVER	1	1650 / 1675 / 1700 / 1725mm
	MODEL 1800	5738 A SILVER	1	1750mm
24*	FIXED PANEL VERTICAL GASKET	2308 CLEAR	3	1963mm
25*	INSIDE TOP TRACK COVER PLATE MODEL 1250/1550 1275/1575	6289 / 6290 A SILVER	1	32 / 57mm
	INSIDE TOP TRACK COVER PLATE MODEL 1300/1600 1325/1625	5777 / 6291 A SILVER	1	82 / 107mm
	INSIDE TOP TRACK COVER PLATE MODEL 1350/1650 1375/1675	6292 / 6293 A SILVER	1	132 / 157mm
	INSIDE TOP TRACK COVER PLATE MODEL 1400/1700 1425/1725	5774 / 6294 A SILVER	1	182 / 207mm
	INSIDE TOP TRACK COVER PLATE MODEL 1450/1750 1475/1775	6295 / 6296 A SILVER	1	232 / 257mm
	INSIDE TOP TRACK COVER PLATE MODEL 1800	5778 A SILVER	1	282mm
26*	THRESHOLD COVER MODEL 1200 TO 1475	5749 A SILVER	1	565mm
27*	THRESHOLD COVER MODEL 1500 TO 1800	5750 A SILVER	1	715mm
28	NO.8 x 9.5 PAN SELF TAP SCREW	1420 A SILVER	2	
29	WALL MOUNT EXTRUSION STOP	6049 A SILVER	2	
30	M4 x 6 SOCKET BUTTON HEAD SCREW	1518 A SILVER	2	
31	CENTRE TRACK FRONT PLATE	6598 A SILVER	1	
32	CENTRE TRACK BACK PLATE	6597 A SILVER	1	
33	M5 x 12 CSK SKT SCREW	1518 A SILVER	2	
34	WALL MOUNT EXTRUSION STOP NUT	6085 A SILVER	2	
35	SS WALL MOUNT SEAL	2388 CLEAR	2	
36	EAUZ MODIFIED SOCK SET + ST.ST BEARING	8580 AF	2	

MAINTENANCE

Matki Glass Guard Easy Clean Surface Protection (optional) and General Cleaning Guide

Cleaning Instructions

Matki Glass Guard allows water to form minute beads which easily trickle off the surface of the glass. This makes the glass easier to clean - the glass does not need to be cleaned as frequently, but it does require occasional maintenance. As less cleaning is required the use of detergents can be minimised thus helping to protect the environment. The lifespan of the Matki Glass Guard is dependant on the frequency of use of the shower and the degree of water hardness.

The combination of alkaline materials and humidity affects glass in an extremely aggressive way. Do not use bleach, alkaline, acid-based or aggressive and abrasive glass cleaners, detergents or household cleaning products on the glass or frames.

We recommend that glass is washed down with clean water and a soft clean cloth or sponge and dried off with a microfibre cloth.

The special coating is only present on the inside of the glass.

Matki Glass Guard is guaranteed for 2 years provided that the guidelines and cleaning instructions are followed.

Aluminium and Chrome parts should be cleaned with a mild non scratch household cleaner and a soft cloth or sponge.

Do not use acidic-based descaler products or products which are unsuitable for cleaning enamelled surfaces, including abrasive cleaners or cleaners containing bleach or solvents, as the products will effect the anodised framework. Under no circumstances use cleaners with a pH level exceeding 8.

Matki does not recommend the use of 'Leave-on' shower cleaners on Matki Glass Guard Products.

Water Softeners and Glass Guard - Certain types of water softeners increase the alkalinity of the water due to a carry-over of Chloride during re-generation which can cause aggressive water spots on both untreated and Glass Guarded glass. If using a water softener we recommend a two-cylinder machine with automatic re-generation instead of a timer.

If a single-cylinder water softener with timer is already installed it is recommended that after each shower excess water is removed from the glass with a squeegee or with a micro-fibre cloth.



Wash down with clean warm water and a soft clean cloth or sponge.



Do not use bleach, alkaline or acid-based, aggressive or abrasive cleaning products.

Flash Bathroom Spray or Cif Bathroom Spray can be used on Matki Products.

Various specialist cleaning and glass dressing products are available from Ritec International Ltd Tel. 020 8344 8210 or www.ritec.co.uk.

Matki Plc is not connected with Ritec International Ltd in any way and the contact details are supplied for information only. Read manufacturers label before using any cleaning materials.

IMPORTANT

Matki Glass Guard is guaranteed for 2 years. It is essential that the cleaning instructions are followed in order to maintain the hydrophobic properties of the glass coating. In the event of the failure to comply in any way with these instructions, any warranty or guarantee will be null and void.

MATKI PLC, CHURCHWARD ROAD, YATE, BRISTOL, BS37 5PL
TELEPHONE:01454 328816 (AFTER SALES) FAX:01454 328821 EMAIL: techsupport@matki.co.uk



matki SHOWERING

13

Matki PLC, Churchward Road, Yate,
Bristol BS37 5PL

EN 14428:2008+A1

NOTES

THIS PAGE IS INTENTIONALLY LEFT BLANK

matki | S H O W E R I N G

MATKI PLC, CHURCHWARD ROAD, YATE, BRISTOL, BS37 5PL
TELEPHONE:01454 328816 (AFTER SALES) FAX:01454 328821 EMAIL: techsupport@matki.co.uk