

matki | S H O W E R I N G

EAUZONE PLUS

EPWC - HINGED DOOR FROM WALL, INLINE AND SIDE PANEL FOR CORNER

INSTALLATION

PARTS LIST

BRITISH PATENT NO:2470778



EPWC

MATKI PLC, CHURCHWARD ROAD, YATE, BRISTOL, BS37 5PL
TELEPHONE:01454 328816 (AFTER SALES) FAX:01454 328821 EMAIL: techsupport@matki.co.uk

IMPORTANT

TOOLS REQUIRED

Masonry Drill bit 6mm, Tape Measure, Screw Drivers, Safety Glasses, Electric Drill, Level, Pencil, Adjustable Spanners, Non Slip Gloves

Before disposing of carton and/or commencing assembly, please check all the parts to ascertain that none are missing and they are all undamaged. No claim for missing/damaged parts will be accepted once the packing carton has been disposed of and/or assembly has commenced.

In case of query contact your Stockist with details of model number and details of serial number.

PREPARATION IMPORTANT

1. Please read complete installation instructions before fitting the Enclosure and Tray (if fitting).
2. We recommend that two people are available for fitting of Side panel and Door, Stage 6+9. The **Eauzone Plus** range is **10mm Glass** construction. Large glass panels are very heavy. We recommend the use of Safety glasses and Non slip gloves when handling the glass panels.
3. Ensure that the product can be **fixed** to a **solid masonry wall** or suitable **timber stud work grade C16/C24** in the area behind the Wall frames and Panel fixing brackets.
4. Shower trays or tiled floors **must be absolutely level** where enclosures are fitted
5. If fitting a tray we recommend a **drainage test** is carried out before the tray is tiled in position.
6. The assembly should be installed onto a waterproof wall covering and installed after the Tray and wall coverings are in place. Where Tiling lips are provided Trays should be let into the Wall with the Tiling lip flush with the wall to allow the Tiling to overlap the Tiling lip.
7. Seal between tray and tiles. Remove any excess sealant from the area/joint between the tray and the tiles where the Wall Mount is to be fitted. This will ensure the Wall mount fits correctly to the wall and tray/or tiled floor.

CAUTION: TEMPERED GLASS CANNOT BE CUT, POLISHED METAL AND CHROME CAN BE SCRATCHED. CAREFULLY REMOVE ASSEMBLY FROM CARTON, DO NOT PLACE GLASS ON HARD FLOOR OR EXPOSE EDGES TO IMPACT.

DIMENSIONS

Dimensions are approximate. Images show LH Hinge Door installation. Reverse for RH.



MODEL CORNER DOOR	A + B	A	B
EPWC800	770 – 785	600	200
EPWC900	870 – 885	700	200
EPWC950	920 - 935	700	250
EPWC1000	970 – 985	800	200
EPWC1050	1020 - 1035	800	250
EPWC1100	1070 – 1085	900	200
EPWC1150	1120 - 1135	900	250
EPWC1200	1170 – 1185	800	400
EPWC1250	1220 - 1235	800	450
EPWC1300	1270 – 1285	900	400
EPWC1350	1320 - 1335	900	450
EPWC1400	1370 – 1385	900	500
EPWC1450	1420 - 1435	900	550
EPWC1500	1470 – 1485	900	600

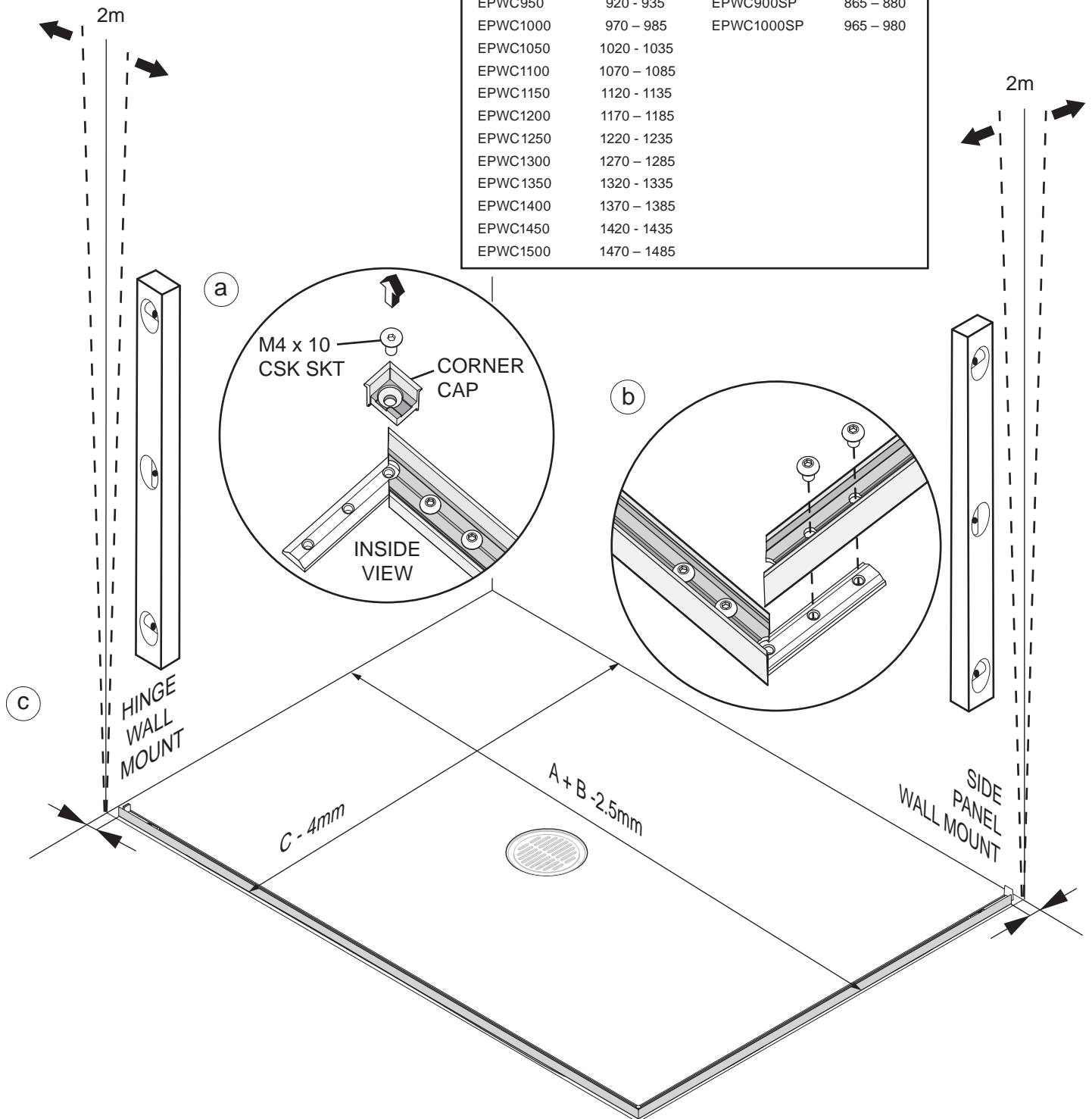
MODEL SIDE PANEL	C
EPWC760SP	725 - 740
EPWC800SP	765 – 780
EPWC900SP	865 – 880
EPWC1000SP	965 – 980

Please note: The Standard Panel and Door options are only listed above. If you have a unit with a different mix and match combination of panels, please refer to the Model size and total width e.g. See below other combinations for Model 1100 all have same total width.

	A + B	A	B
EPHC1100	1070 – 1085	800	300
EPHC1100	1070 – 1085	600	500
EPHC1100	1070 – 1085	900	200

STAGE 1

MODEL CORNER DOOR	A + B	MODEL SIDE PANEL	C
EPWC800	770 – 785	EPWC760SP	725 - 740
EPWC900	870 – 885	EPWC800SP	765 – 780
EPWC950	920 - 935	EPWC900SP	865 – 880
EPWC1000	970 – 985	EPWC1000SP	965 – 980
EPWC1050	1020 - 1035		
EPWC1100	1070 – 1085		
EPWC1150	1120 - 1135		
EPWC1200	1170 – 1185		
EPWC1250	1220 – 1235		
EPWC1300	1270 – 1285		
EPWC1350	1320 - 1335		
EPWC1400	1370 – 1385		
EPWC1450	1420 - 1435		
EPWC1500	1470 – 1485		



This stage is describing the placement of the Threshold track.

Important: Check the walls for upright before positioning the threshold track. If the wall is leaning **outward** at the top adjust the threshold dimension inwards to maximise the adjustment range. If the wall is leaning **inwards** at the top adjust the threshold track outwards to maximise the adjustment range.

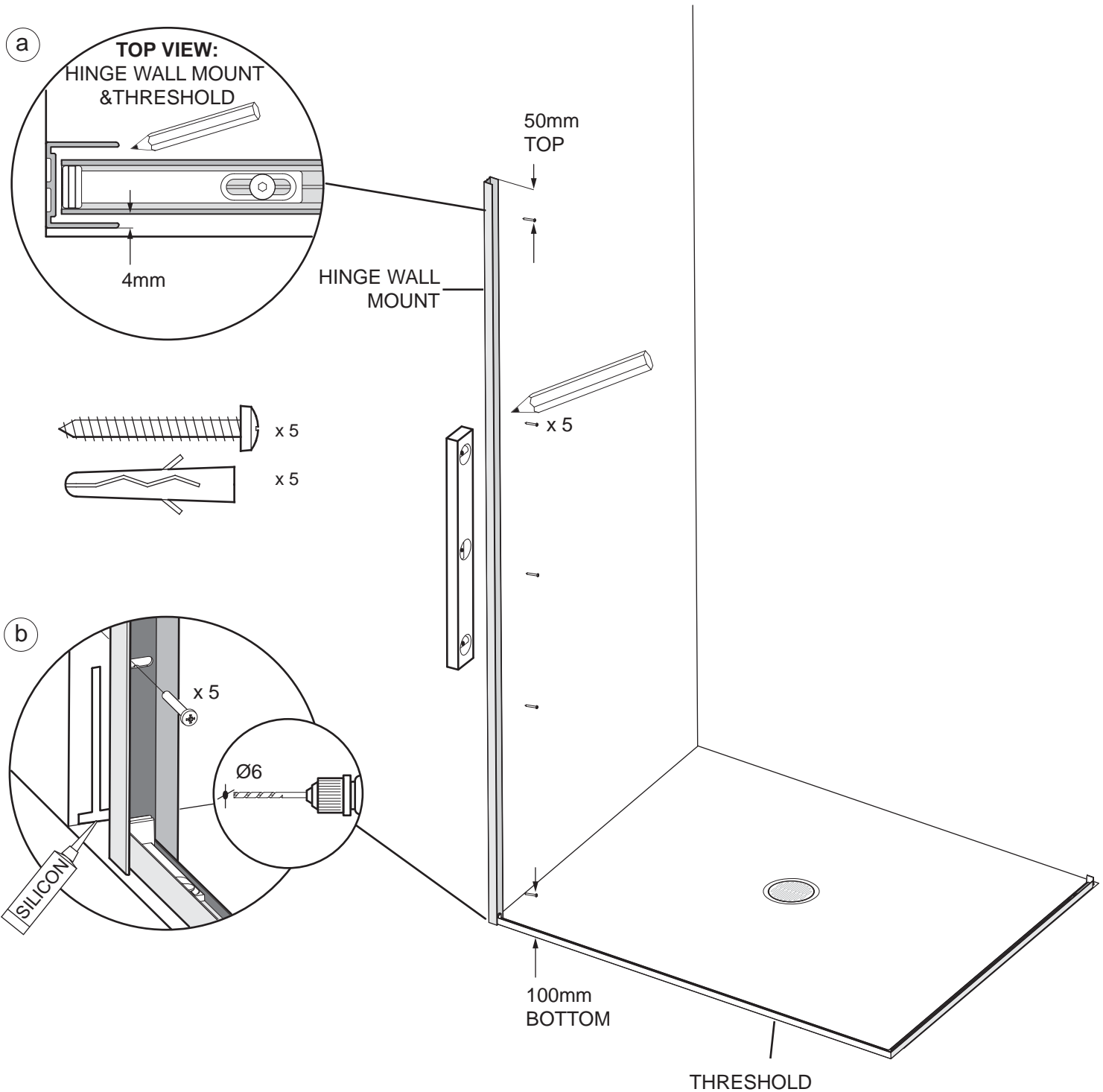
a. Remove and set aside the pre-assembled Threshold corner cap and M4 x 10 Csk Skt fixing.

b. Fix the Threshold mitred ends together using the M4 x 6 socket domed screws, pre-assembled to the Threshold fixing bracket. The Threshold should be at an angle of 90°

c. Place the Threshold assembly onto the Tray/floor surface. Measure and mark the distance from the Wall to the outside face of the Threshold. The table of dimensions show overall product width to outside of Wall mounts, for the distance to the outside of the Threshold track remove distances on diagram **c.** above. **Check walls are plumb.**

The Eauzone surround has adjustable Wall Mounts to compensate for out of plumb walls. There is 15mm of adjustment in both the Hinge wall mount and Side panel wall mount. If walls are out of plumb ensure placement of Threshold allows for the out of plumb walls.

STAGE 2

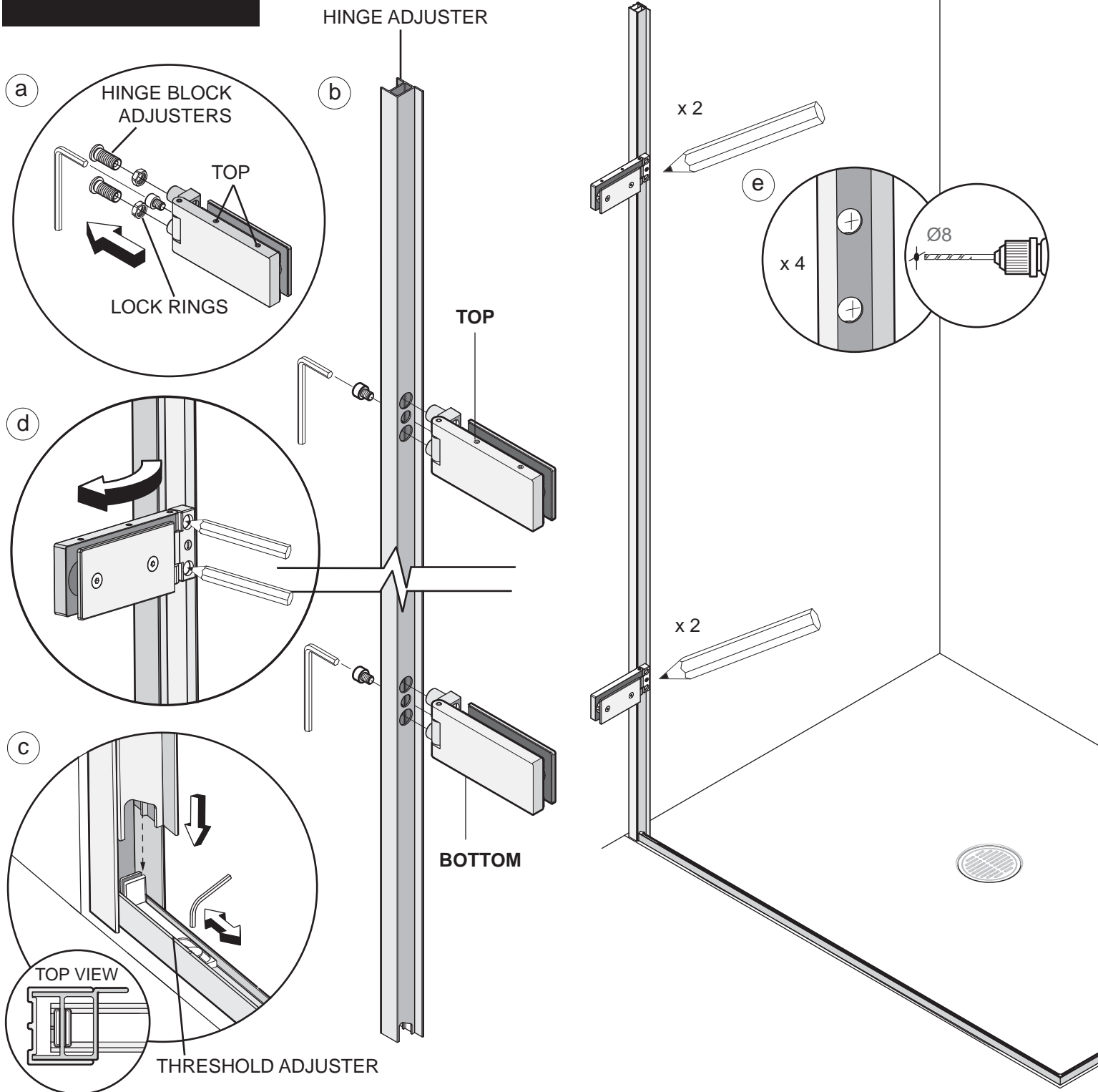


This stage is describing the fitting of the Hinge wall mount

a. Place the Hinge wall mount over the Threshold and onto the tray. The outside face of the Hinge wall mount should be 4mm away from the outside face of the Threshold (Wall Mount has a top and bottom, the top slotted hole should be 50mm down from top). Plumb the Wall Mount for Upright and mark the fixing holes in the centre of the slots.

b. Drill 5 x fixing holes in the wall and insert Wall plugs. Clean area and apply Silicon Sealant to the area behind the Wall mount between the tray and tiles and 100mm up the Wall, central to the width of the Wall mount. Fit the Wall mount using the No.8 x 32mm Pan Head Screws.

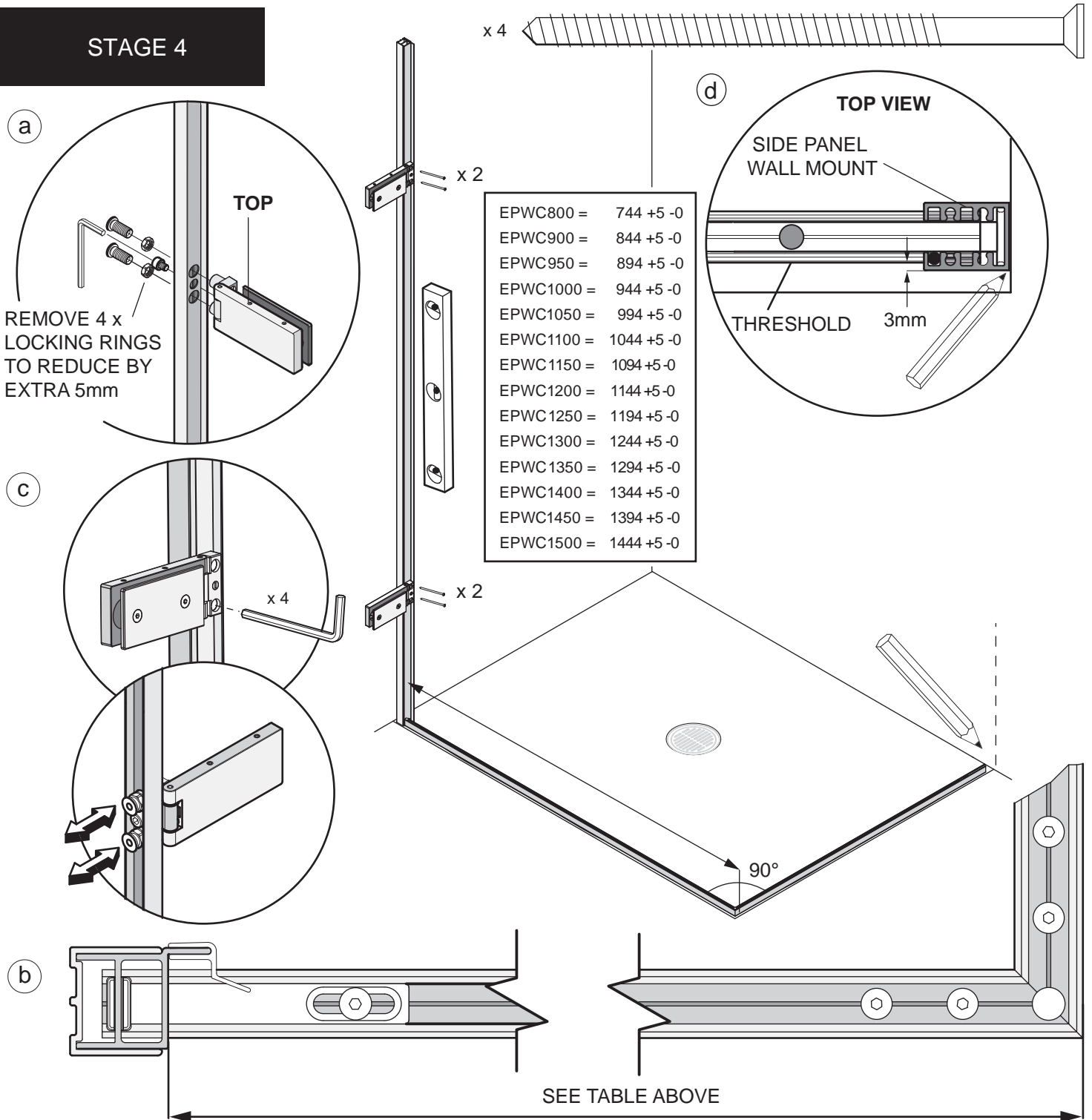
STAGE 3



This stage is describing the fitting of the Hinge adjuster column.

- a.** Remove from both of the Hinges and set aside the 4 x Hinge block adjusters and 4 x Adjuster lock rings.
- b.** Fit the Hinges to the Hinge adjuster column using the M8 x 10 Socket cap screws. The Hinges are handed top and bottom, ensure the Socket set screws are visible on the top of the top Hinge and on the underside of the lower Hinge.
- c.** Fit the Hinge adjuster column into the Hinge wall mount. To fix the Threshold into position ensure the Threshold adjuster fits around the leg in the centre of the Hinge adjuster column as shown with the dashed arrow. If adjustment is needed loosen the Socket set screw in the Threshold slightly to allow the Threshold adjuster to move, re-tighten once in position.
- d.** Rotate the hinges into the open position. Carefully mark the centre of the holes for the Hinge fixings onto the wall. Remove the Hinge adjuster column and set aside.
- e.** Drill and fit the 4 x **No.10** Wall Plugs provided.

STAGE 4



This stage is describing the fitting of the Hinge column adjuster.

a. Remove the Hinge adjuster column and re-fit the 4 x Hinge block adjusters and 4 x Adjuster lock rings to the back of the Hinges. Re-fit the Hinge adjuster column into the Hinge Wall Mount.

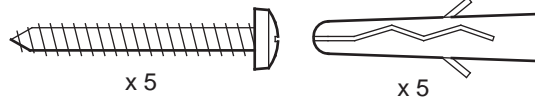
b. Measure the distance of the door opening between the Hinge adjuster column and outside face of the Threshold assembly. This dimension should be within the tolerance of the specified dimensions above. Using a level ensure the Hinge adjuster column is upright.

If adjustment is needed, the Hinge adjuster column can be adjusted out by 15mm.

c. To adjust out the Hinge adjuster - Loosen the Csk socket screw in the Threshold adjuster to allow the adjuster to move freely. Using the Allen key provided wind out the Hinge Block adjusters to space off the column. The locking nuts should be removed on adjustment below 5mm (a). Plumb for upright, fit the 4 x No.10 x 100 Wall screws through the hinges to fix in position. Re tighten the Csk socket screw in the Threshold adjuster.

d. Check that the Threshold assembly is at a 90° angle. Using the Threshold as a guide mark the position of the Side panel wall mount. As a guide the outside face of the Threshold is 3mm away from the outside face of the Side panel wall mount.

STAGE 5



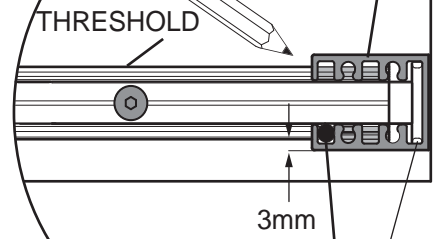
x 5

x 5

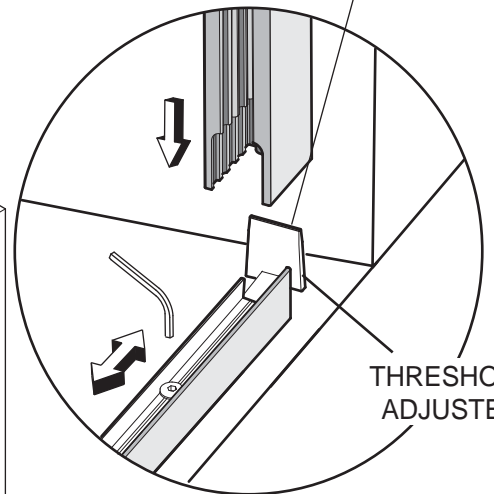
FIXED PANEL
WALL MOUNT

TOP VIEW

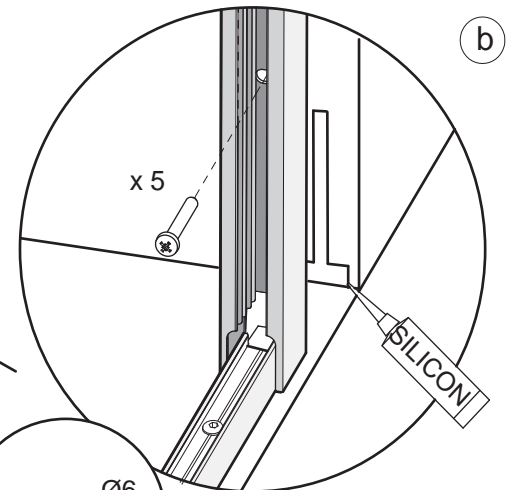
(a)



FOAM BEAD AT
FRONT



THRESHOLD
ADJUSTER

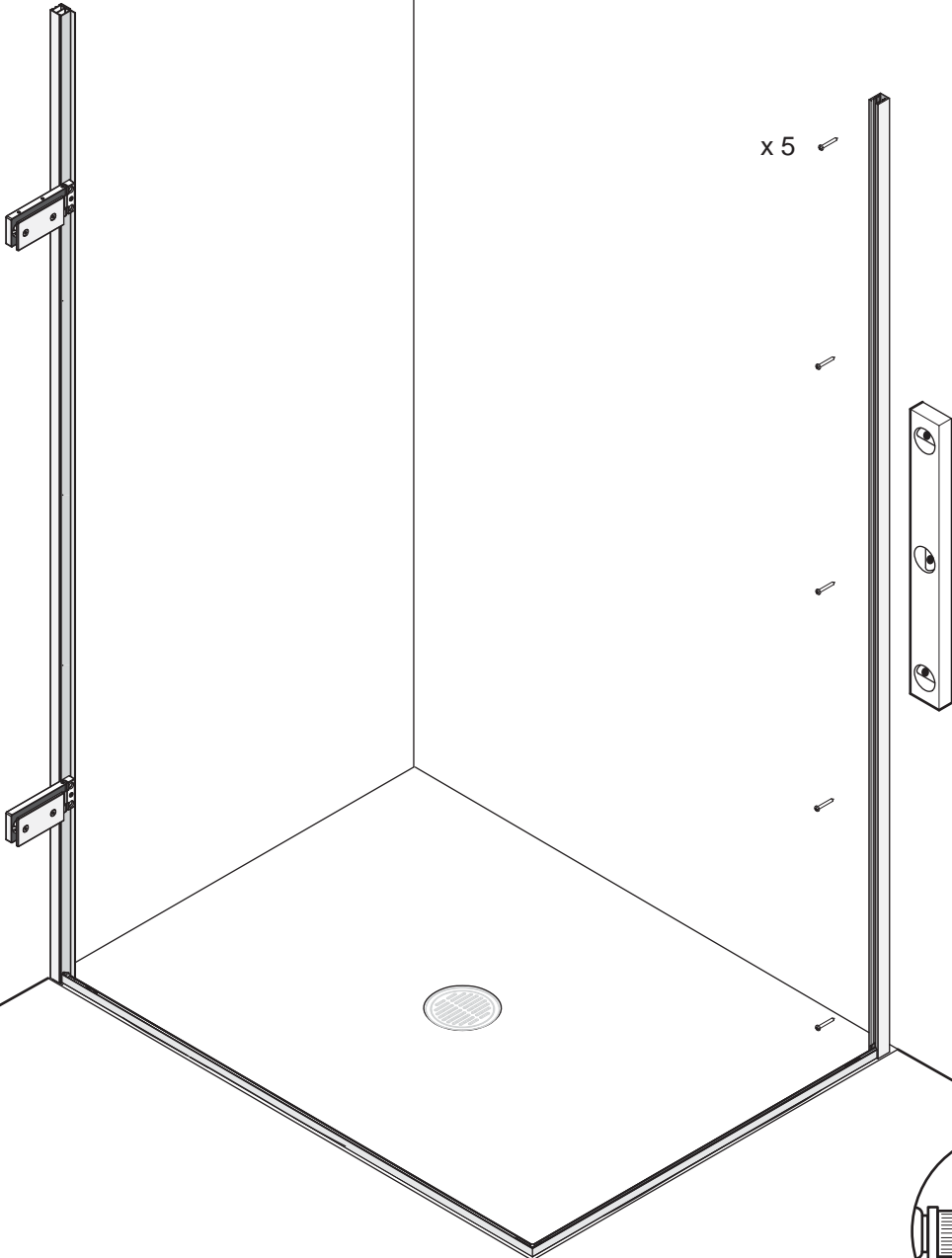
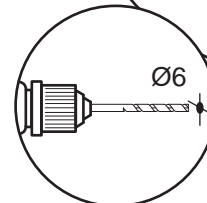


(b)

x 5

NON
SILICON

Ø6



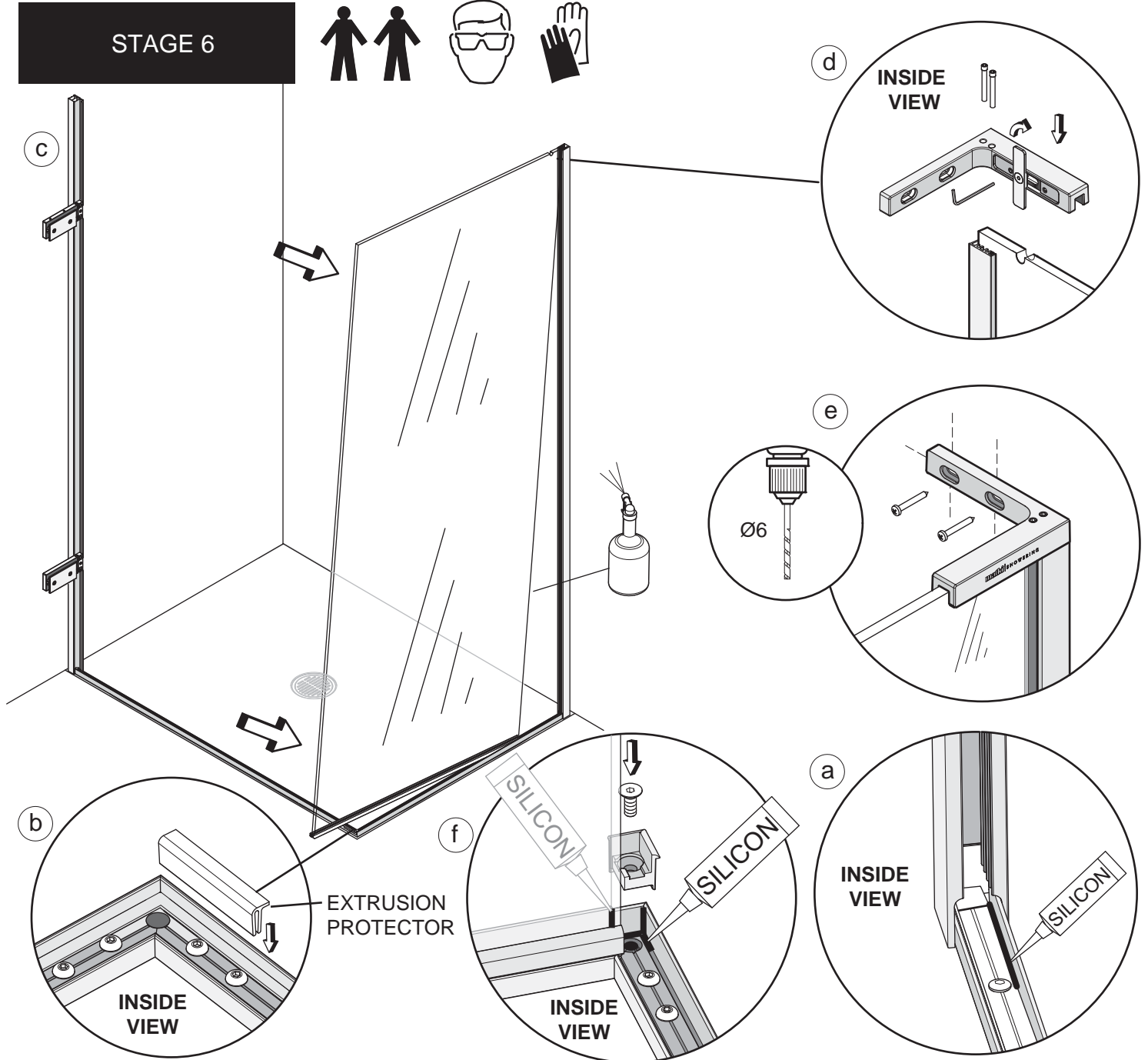
x 5

This stage is describing the fitting of the Side panel wall mount.

a. Position the Side panel wall mount over the Threshold in the position marked on the previous stage. Ensure the Threshold adjuster fits up into the back of the Wall mount extrusion in the recess as shown. Adjust position of Threshold adjuster as required, to adjust loosen screw only 1/2 a turn, re-tighten after adjustment do not over tighten. Plumb the Wall Mount for upright and mark the fixing holes in the centre of the slots.

b. Drill 5 x fixing holes in the wall and insert Wall plugs. Clean the area and apply Silicon Sealant to the area behind the Wall mount between the tray and tiles and 100mm up the Wall, central to the width of the Wall mount. Fit the Wall mount using the No.8 x 32mm Pan Head Screws.

STAGE 6

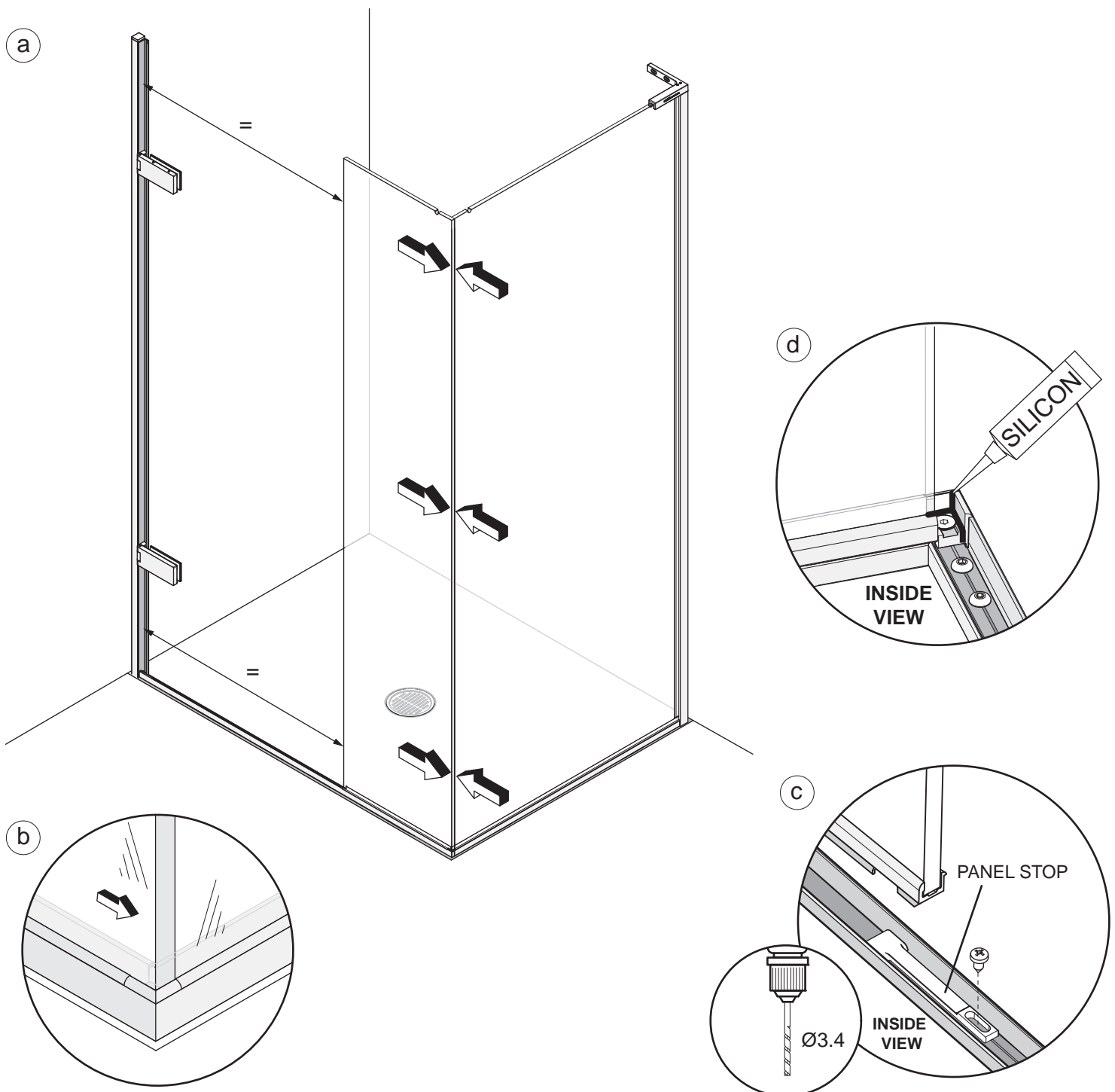


This stage is describing the fitting of the Side panel. We recommend 2 people are available for this stage, and the use of Safety glasses and Non slip gloves when handling glass panels.

- a.** Apply a bead of Silicon along the front inside edge of the Threshold up to the adjuster screw.
- b.** To protect the outside edge of the Threshold from damage when fitting the Side panel glass, fit the Extrusion protector supplied.
- c.** Lightly wet the edge of the Side panel with soapy water and gently lower the panel into the Wall mount and Threshold extrusion. Push the top of the panel into the Wall mount first, followed by the bottom. Position Side panel so that the Threshold corner cap can be fitted in front of the Side panel as shown in (f).
- d. Fitting of Side panel top bracket:** Loosen the Countersunk socket screw in the Top bracket back plate until the Back plate can be rotated. Rotate the Back plate 180° to vertical. The plate should now adjust left to right, moving the Glass stop and Glass gasket with it. Carefully fit the Top Bracket over the glass panel, the Glass stop should fit into the notch in the top of the Side panel.
- e.** Mark the centre of the slotted holes in the Top bracket onto the Wall, remove the Top Bracket and drill and fix the wall plugs.
- d.** Re fit the Top Bracket. Fit the 2 x Socket cap screws through the Top Bracket into the extrusion. Tighten the 2 off M5 x 4 Socket set screws (do not over tighten). Rotate the Back plate to fit into the Top bracket recess and re fit the Countersunk socket screw (do not over tighten).
- e.** Fix the Top Bracket to the Wall using the No.8 x 32 Pan Head screws.
- f.** Remove the Extrusion protector. Apply a bead of Silicon on the inside corner of the Threshold assembly where the Corner cap is to be fitted. Apply a bead in the hole where the Corner cap fixing is to be fitted and to the end of the Side panel extrusion on the outer face as shown above. Fit the Corner cap using the M4 x 10 Csk Skt screw.

STAGE 7

PREPARING THE INLINE PANEL



This stage is describing the preparation for the fitting of the Inline panel.

a. Carefully place the Inline panel glass down into the Threshold extrusion and up to the edge of the Side panel glass. Check the face of the Side panel is parallel to the edge of the Inline panel. If adjustment is needed, a small amount of pressure can be applied to the Side panel glass to help it meet the edge of the Inline panel when bonding with the tape in the next stage.

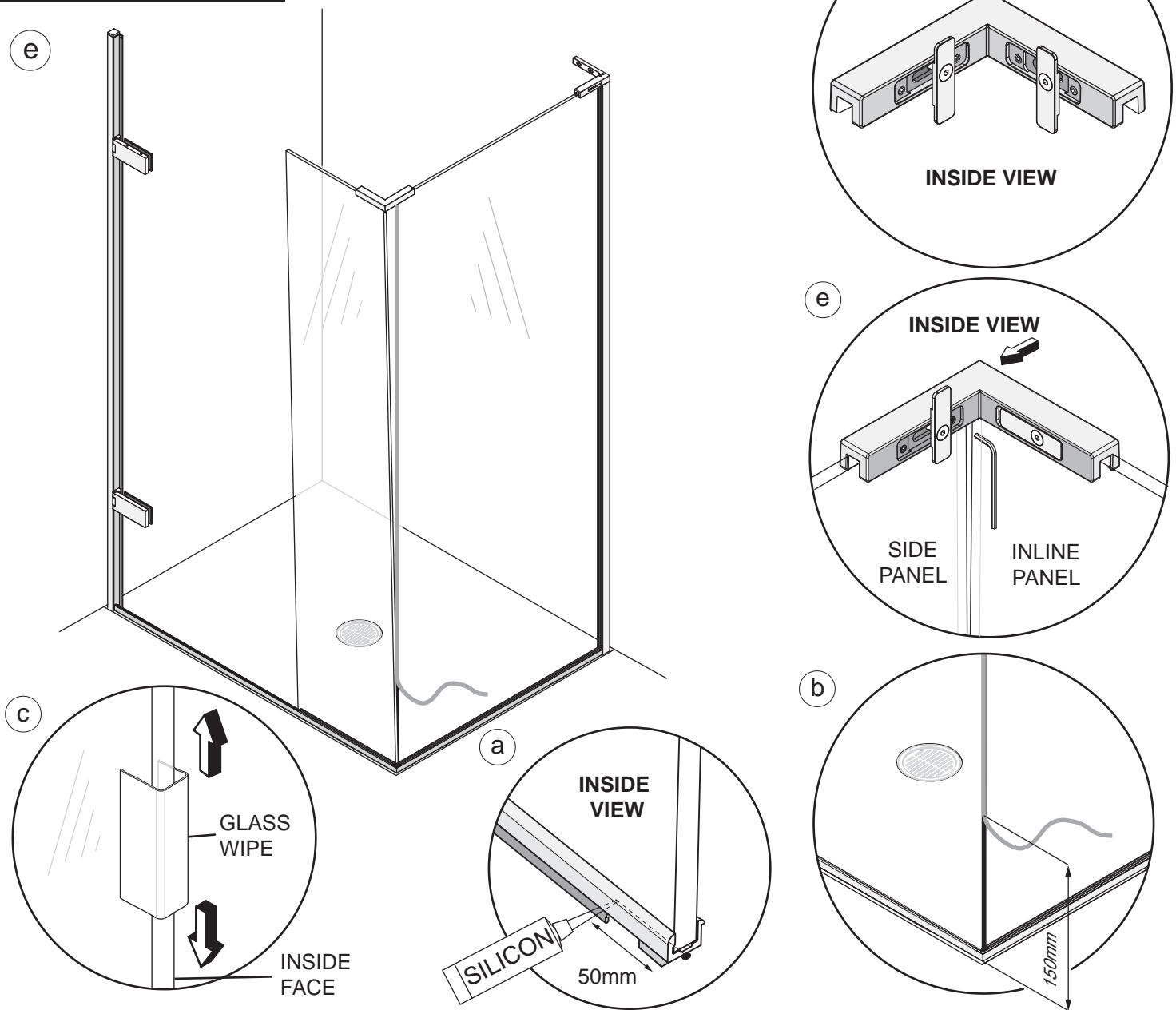
b. Ensure the Inline panel is pushed fully up to the face of the Threshold corner cap.

c. Check that the distance between the top and bottom of the Door opening is equal. Place the Panel Stop under the section bonded to the Inline Closure panel aligning the larger end of the stop, rounded face up, with the cut out in the extrusion. Once the panel is in position mark the centre of the slot in the Panel stop. Remove the Inline panel and drill and fix the Panel stop using the No.8 x 9.5 Pan head screw.

d. Apply a bead of Silicon to the inside corners of the Threshold corner cap and down the face where the Inline panel will touch.

STAGE 8

FITTING THE INLINE PANEL



This stage is describing the fitting of the Inline panel.

a. IMPORTANT - Before fitting the Fixed panel, at the opening side of the panel apply a 50mm bead of Silicon sealant central to the underside of the extrusion.

b. Before fitting the Inline corner panel, peel back approximately 150mm of the yellow backing film from the Bonding tape that is on the edge of the Side panel. Peel the backing film from the bottom upwards to aid removal of the film once Inline panel is in position.

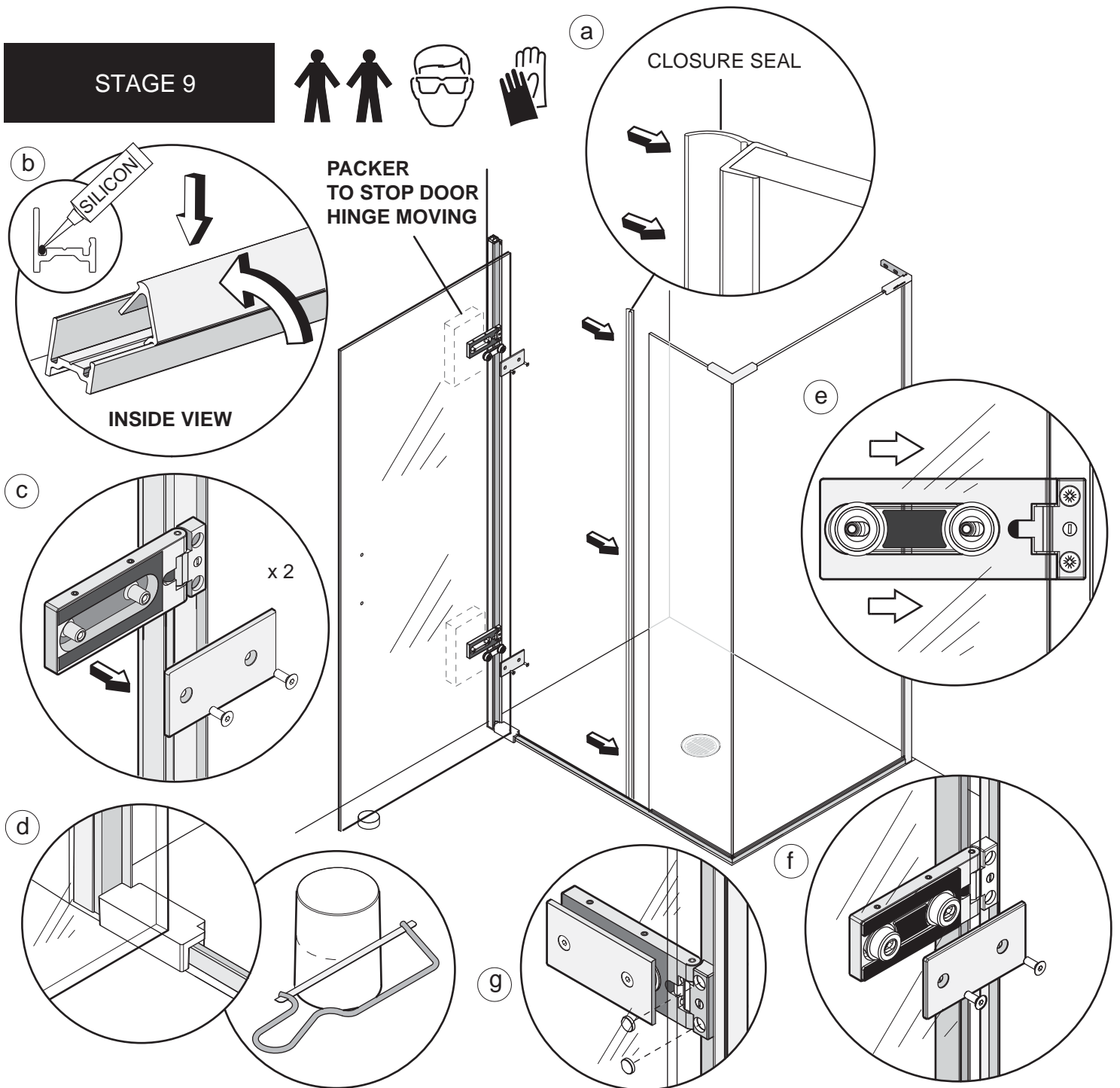
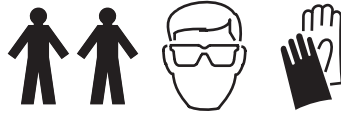
c. Before fitting the Inline corner panel, clean the face of the Inline panel glass that will be bonded to the Side panel using the cleaning wipe supplied.

d. Loosen the Countersunk socket screw in the Corner bracket back plate until the Back plates can be rotated. Rotate the Back plate 180° to vertical. The plate should now adjust left to right, moving the Glass stop and Glass gasket with it.

e. Carefully re-fit the Inline glass panel into position ensuring it is fully pushed into the corner cap at the bottom. Fit the Corner Bracket, the bracket should locate in the notches in the top edge of the glass panels. Check that the bracket is correctly aligned with the outside edge of the Inline panel at the top, this will guide the panels accurately together at the top. Secure the Corner Bracket **only** to the Inline panel by tightening the 2 off Socket sets screws (do not over tighten) on the back of the Bracket. Rotate the Back plate on the Inline panel into the recess and tighten the Countersunk socket screw. The Side panel Set screws are left loose at this stage to allow the Corner bracket to move along the Side panel.

e. Final bonding of corner joint between panels: Carefully move the Inline panel away from the Side panel at the top, maximum gap 15mm, to create a 'V' shaped gap between the Inline panel and Side panel. Slowly remove the backing film from the removed edge working upwards aligning the glass face and edge. Press the glass together as the backing film is removed, when 300mm from the top remove all the backing film and press firmly together. Tighten the 2 set screws in the Side panel face of the Corner bracket and replace the Back plate using the Countersunk socket screw. Allow 12 hours for the bond to cure fully before showering.

STAGE 9



This stage is describing the hanging of the Door.

a. Push fit the Door Closure seal to the edge of the Fixed panel.

b. Apply a bead of Silicon along the inside length of the Threshold in the recess at the front of the track. Clip the Infill track into the threshold extrusion under the Hinge Wall Mount by hooking the inside leg down first then pushing the front until the track snaps into position.

c. Remove and set aside the Hinge back plates.

Note: To stop the Hinges moving back towards the Wall when loading the Door, a packer (such as the White foam buffer used to protect the glass in the packaging) can be placed behind both of the Hinges.

d. Place the Door assembly block over the track on the Hinge side of the Door opening. The tubular Door support can be used to support the other end of the door. Measure and mark the Door support so that the top is parallel with the top of the Door assembly block. Cut to size as required using a Hacksaw. Note: Glass can break, please handle carefully and do not place on/against a hard surface.

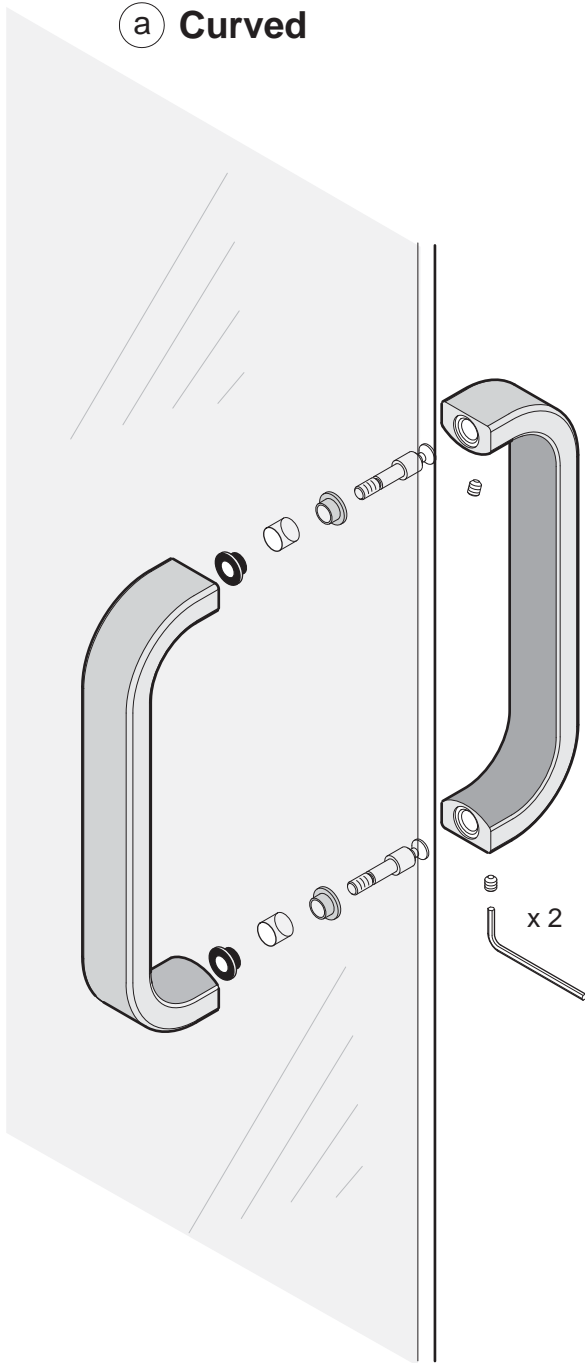
e. We recommend 2 people are available for this stage and the use of Safety glasses and Non slip gloves when handling glass panels - Carefully lift the Door onto the Hinges, ensuring the Adjustment blocks fitted to the glass are on the Hinge side. The Door support and assembly block will now help to align the Door glass with the Hinges. The door has left to right adjustment, push the Door glass fully towards the hinges (on minimum adjustment)

f. Re-fit the back plates.

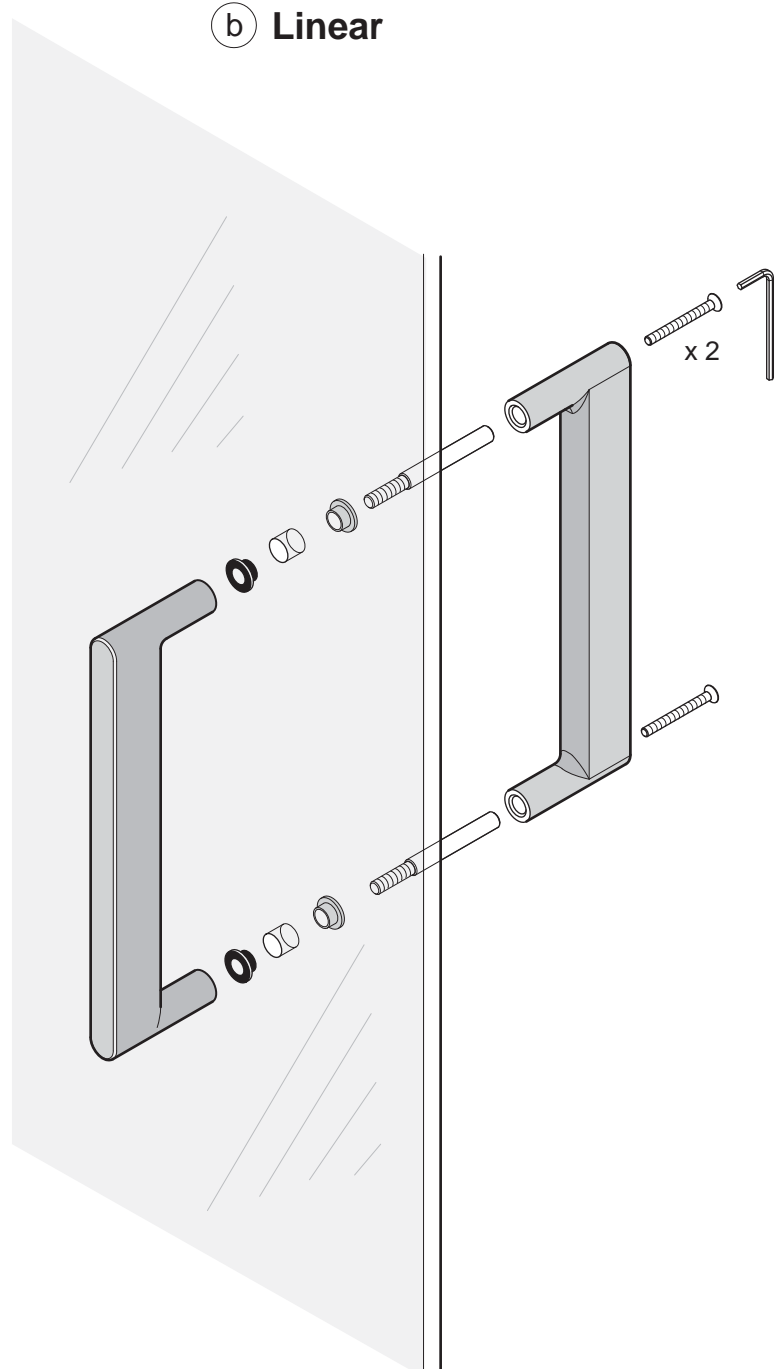
g. Fit 4 x Hinge screw covers.

STAGE 10

a Curved



b Linear

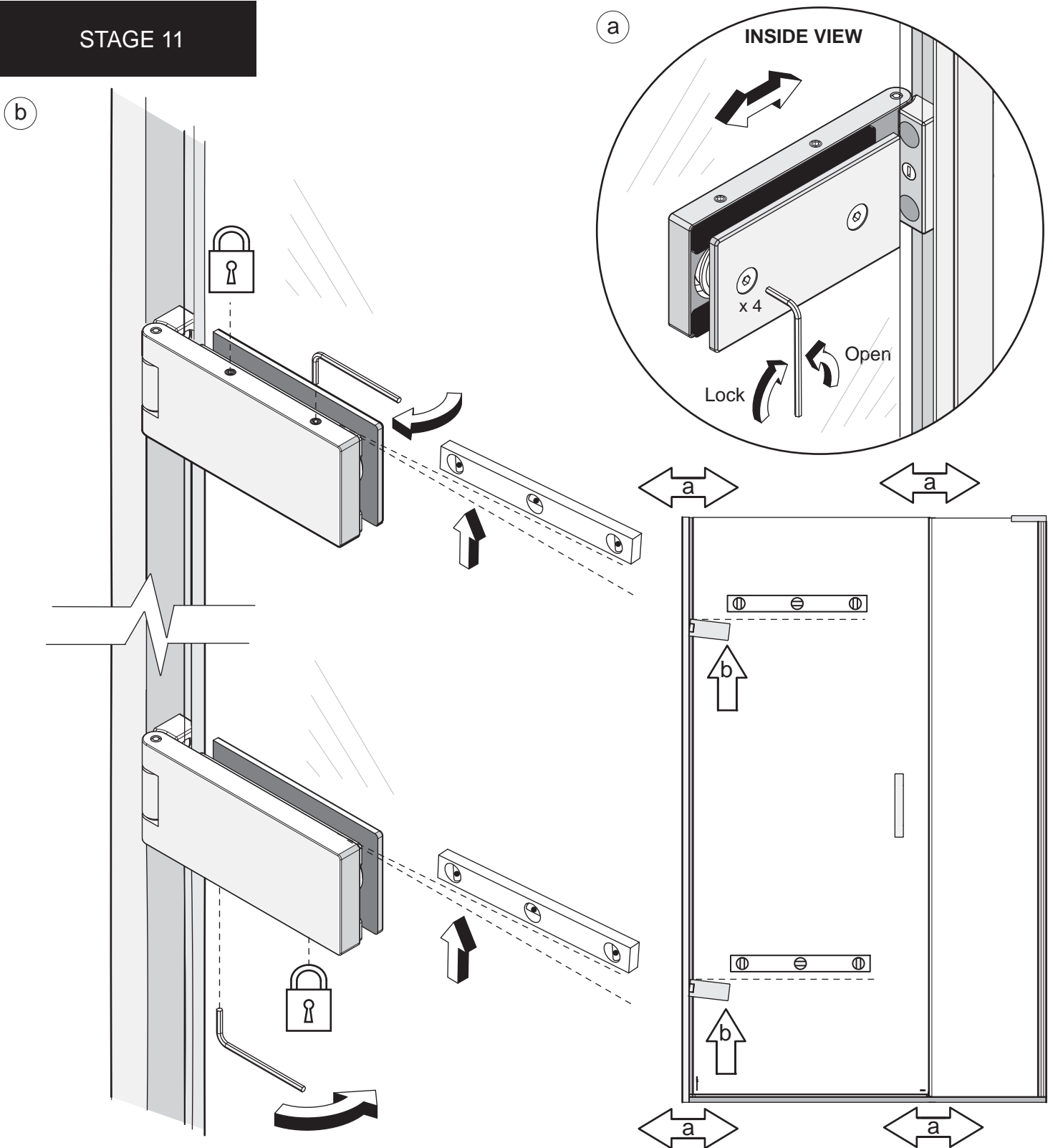


This stage is describing the fitting of the Door Handle

a. Curved Handle only - Disassemble the handle by loosening the 2 x M5 x 6 Socket set screws on the underside of the inside Handle. Unscrew the 2 x Handle connectors. Place the 4 x black glass washers either side of the 2 holes in the Door glass. Place the front Handle up to the outside of the glass screwing through the Handle connectors from the inside to hold the front Handle in position. Once the front Handle is secure, place the back Handle onto the Handle connectors, secure in position by tightening the 2 x Socket set screws on the underside of the back Handle.

b. Linear Handle only - Disassemble the handle by unscrewing the 2 x M4 x 40 Csk socket screws and removing the back handle. Place the 4 x black glass washers either side of the 2 holes in the Door glass. Carefully fit the front Handle and Handle connectors through the 2 holes in the Door glass. Fit the back Handle onto the Handle connectors and fix into position by fitting the 2 x M4 x 40 Csk socket screws.

STAGE 11

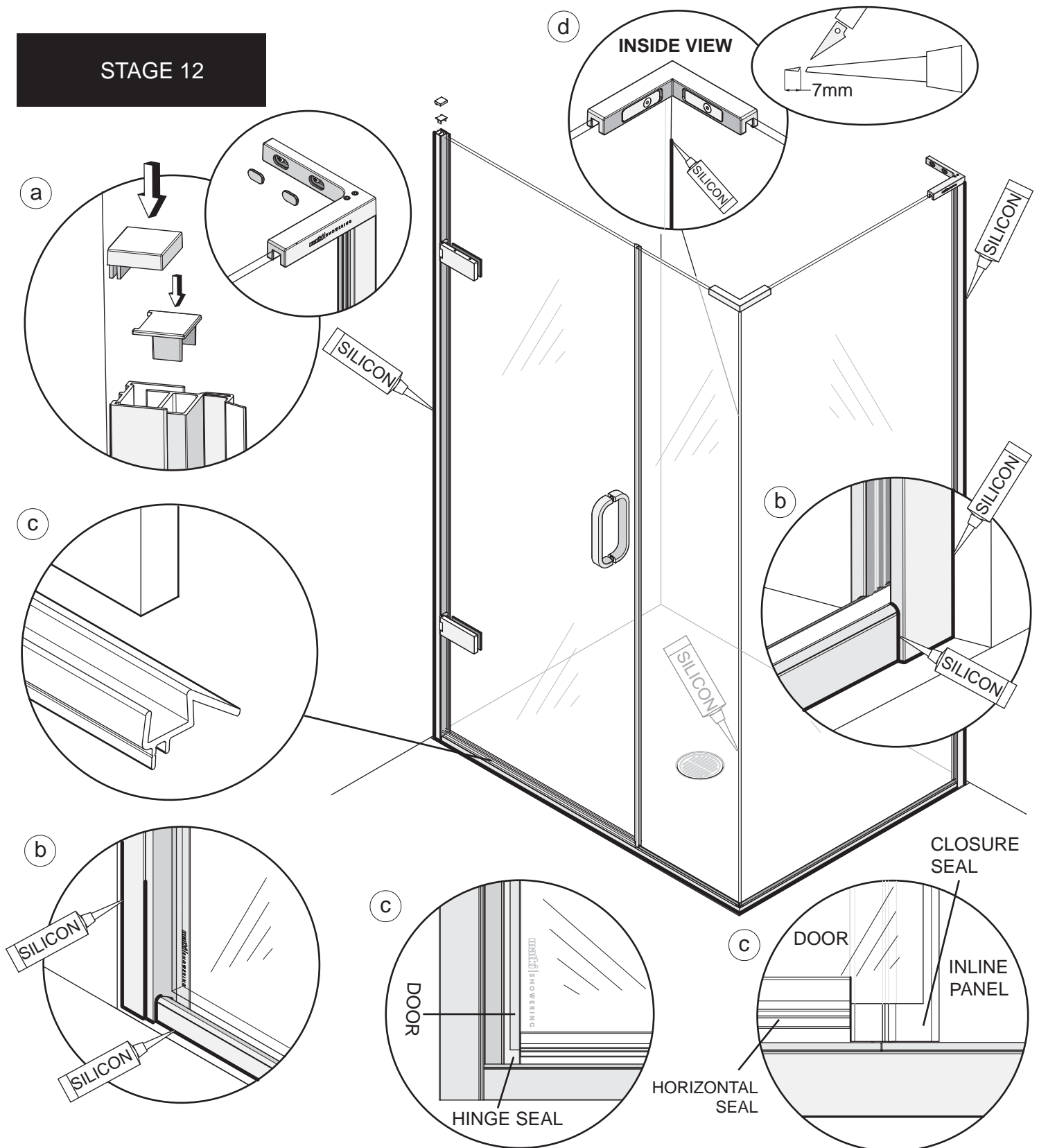


This stage is describing the Door adjustment

a. The Door glass can be adjusted left to right to open/close the distance between the edge of the Door glass and the Closure seal and also the edge of the Door glass and the Hinge seal. Loosen the 4 x M6 x 16 Csk socket screws in the back of the Hinges, adjust the Door left or right. Retighten the 4 x Csk socket screws.

b. To lift the Hinges tighten down the top outer Socket set screw on the upper Hinge and the underside inner Socket set screw on the lower hinge. Lock in position by tightening the top inner Socket set screw and the underside outer Socket set screw on the lower Hinge.

STAGE 12



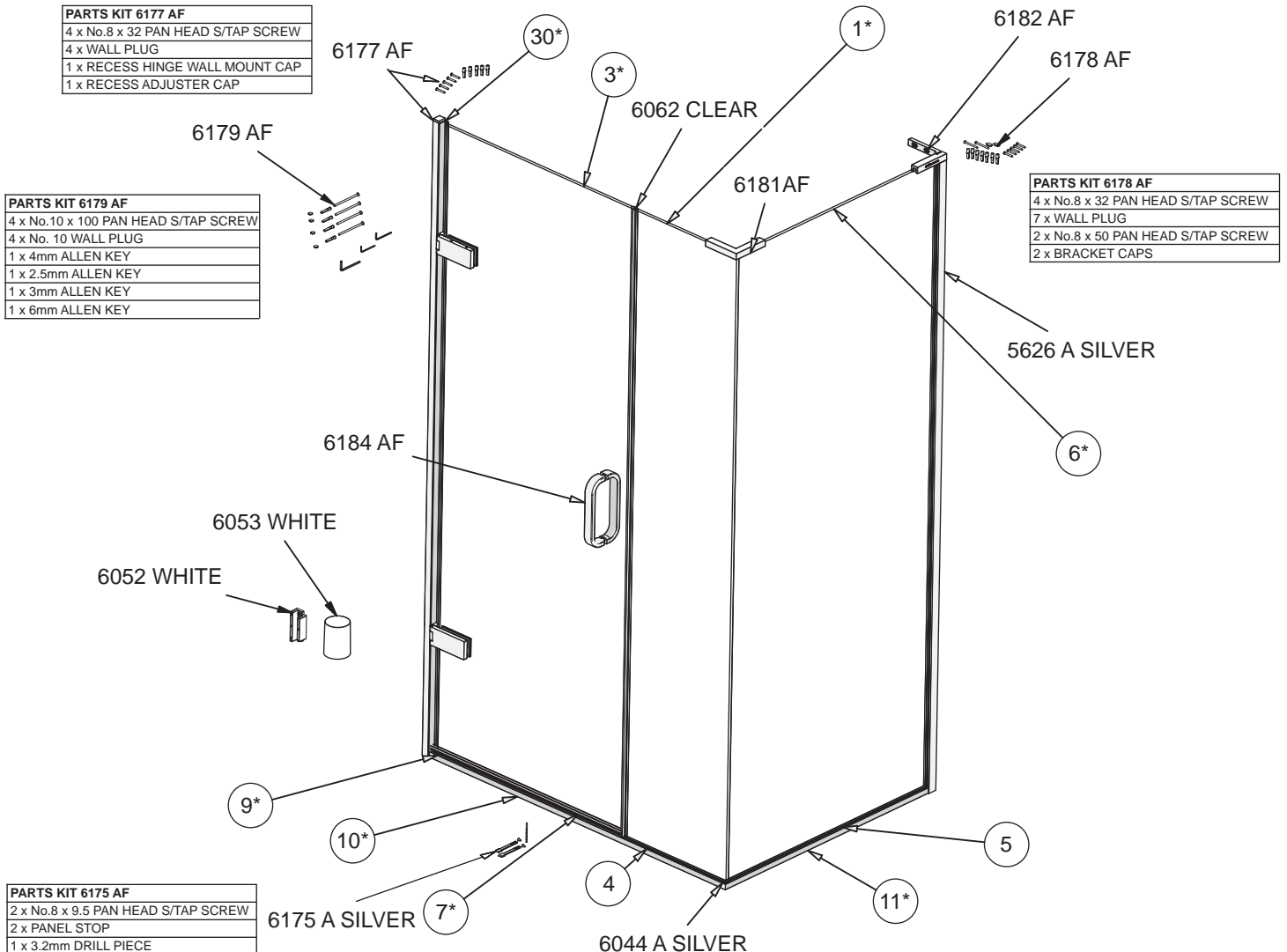
This stage is describing fitting the Caps and Seals

- a.** Push fit the Hinge adjuster top cap onto the top of the Hinge adjuster column. Then fit the Hinge wall mount top cap over the top. Push fit the 2 x Screw covers into the adjustment holes in the Top bracket.
- b.** Apply a thin bead of silicon along the joint on the outside between the Hinge wall mount and the Adjuster column and 100mm up. Continue the silicon along the bottom edge of both the Wall Mounts and all the way up the outside of both the Wall mount extrusions between the Wall Mounts and the tiles. Apply a thin bead all the way along the Threshold between the extrusion and the Finished floor surface/tray. Continue around the joint where the Threshold joins the Adjuster column/Fixed panel wall mount. Masking tape can be used to achieve a tidy edge to the sealant. Remove the masking tape immediately and allow the silicon to cure for 24 hours before using the shower.
- c.** Fit Door Horizontal Seal to underside of Door glass. Some trimming may be required. The seal should fit between the edges of the Hinge Wall Mount seal and the edge of the fin on the Door closure seal.
- d.** Cut 7mm off the end of the spare Silicon sealant nozzle provided in the kit of parts. Using this nozzle apply a very thin bead of silicon along the full length of the inside joint where the Side panel and Inline panel meet.

PARTS LIST

PARTS LIST				
ITEM	DESCRIPTION	PART No.	QTY	LENGTH
1*	INLINE CLOSURE PANEL	SPECIFY MODEL SIZE	1	
2	WALL MOUNT	5626 A SILVER	1	2000 mm
3*	WALL HINGED DOOR	SPECIFY MODEL SIZE	1	
4	FIXED PANEL HORIZONTAL		1	
5	CORNER PANEL FIXED HORIZONTAL		1	
6*	INLINE SIDE PANEL	SPECIFY MODEL SIZE	1	
7*	100 HORIZONTAL DOOR SEAL (800)	6055 CLEAR	1	650 mm
7*	100 HORIZONTAL DOOR SEAL (800)	6056 CLEAR	1	750 mm
8	HINGE CLOSURE SEAL	6062 CLEAR	1	
9*	HORIZONTAL CLIP IN COVER	SPECIFY MODEL SIZE	1	
10*	LH CORNER LOWER HORIZONTAL	SPECIFY MODEL SIZE	1	

11*	RH CORNER LOWER HORIZONTAL	SPECIFY MODEL SIZE	1	
12	LH INLINE CORNER CAP	6044 A SILVER	1	
13	CSK SKT SCREW M4x10CSK SKT	1397 A SILVER	1	
14	M4 X 6 SKT BUTTON SCREW	1518 A SILVER	4	
15	BOTTOM TRACK FIXING BRACKET	6043 A SILVER	1	
16*	CURVED BAR HANDLE	6184 AF	1	
16*	LINEAR BAR HANDLE	6185 AF	1	
17	WALL MOUNT EXTRUSION STOP	6049 A SILVER	1	
18	M4 x 8 SKT CSK SCREW	1499 A SILVER	1	
19	HINGE EXTRUSION STOP	6050 A SILVER	1	
20	RECESS WALL HINGE UPPER AND LOWER	6188 AF	1	
21	HINGE PLATE GASKET	4559 AF	2	
22	HINGE GASKET	4560 AF	2	
23	ADJUSTMENT BLOCK GASKET	4561 AF	2	
24	ADJUSTMENT BLOCK	6040 A SILVER	2	
25	HINGE-GLASS INTERFACE(2mm)	6041 BLACK	4	
26	CORNER BRACKET	6181AF	1	
27*	RH TOP WALL BRACKET	6182 AF	1	
27*	LH TOP WALL BRACKET	6183 AF	1	
28	WALL MOUNT AND HINGE PARTS KIT	6177 AF	1	
29	RECESS WALL MOUNT 15MM	5686 A SILVER	1	2013 mm
30*	LH RECESS HINGE ADJUSTER	5687 A SILVER	1	2011 mm
30*	RH RECESS HINGE ADJUSTER	5688 A SILVER	1	2011 mm
31	RECESS ADJUSTER GASKET	SEE TABLE	1	2012 mm
32	WALL MOUNT & TOP BRACKET PARTS KIT	6178 AF	1	
33	WALL HINGE PARTS KIT	6179 AF	1	
34	INLINE PARTS KIT	6175 AF	1	
35	DOOR ASSEMBLY SUPPORT	6053 WHITE	1	
36	DOOR ASSEMBLY BLOCK	6052 WHITE	1	
37	WALL MOUNT GASKET	1752 AF	2	1984 mm
38	M4 x 6 SOCKET BUTTON HEAD SCREW	1518 A SILVER	1	
39	WALL MOUNT EXTRUSION TOP NUT	6085 A SILVER	1	



MAINTENANCE

Matki Glass Guard Easy Clean Surface Protection (optional) and General Cleaning Guide

Cleaning Instructions

Matki Glass Guard allows water to form minute beads which easily trickle off the surface of the glass. This makes the glass easier to clean - the glass does not need to be cleaned as frequently, but it does require occasional maintenance. As less cleaning is required the use of detergents can be minimised thus helping to protect the environment. The lifespan of the Matki Glass Guard is dependant on the frequency of use of the shower and the degree of water hardness.

The combination of alkaline materials and humidity affects glass in an extremely aggressive way. Do not use bleach, alkaline, acid-based or aggressive and abrasive glass cleaners, detergents or household cleaning products on the glass or frames.

We recommend that glass is washed down with clean water and a soft clean cloth or sponge and dried off with a microfibre cloth.

The special coating is only present on the inside of the glass.

Matki Glass Guard is guaranteed for 2 years provided that the guidelines and cleaning instructions are followed.

Aluminium and Chrome parts should be cleaned with a mild non scratch household cleaner and a soft cloth or sponge.

Do not use acidic-based descaler products or products which are unsuitable for cleaning enamelled surfaces, including abrasive cleaners or cleaners containing bleach or solvents, as the products will effect the anodised framework. Under no circumstances use cleaners with a pH level exceeding 8.

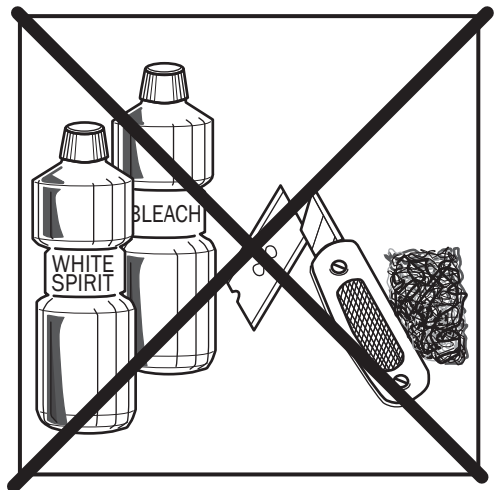
Matki does not recommend the use of 'Leave-on' shower cleaners on Matki Glass Guard Products.

Water Softeners and Glass Guard - Certain types of water softeners increase the alkalinity of the water due to a carry-over of Chloride during re-generation which can cause aggressive water spots on both untreated and Glass Guarded glass. If using a water softener we recommend a two-cylinder machine with automatic re-generation instead of a timer. If a single-cylinder water softener with timer is already installed it is recommended that after each shower excess water is removed from the glass with a squeegee or with a micro-fibre cloth.

Annual recommended maintenance - Matki recommend annually lubricating the barrel of the hinge with a lubricating spray such as WD-40 to remove dust build-up and to aid the movement of the hinge.



Wash down with clean warm water and a soft clean cloth or sponge.



Do not use bleach, alkaline or acid-based, aggressive or abrasive cleaning products.

Flash Bathroom Spray or Cif Bathroom Spray can be used on Matki Products.

Various specialist cleaning and glass dressing products are available from Ritec International Ltd Tel. 020 8344 8210 or www.ritec.co.uk.

Matki Plc is not connected with Ritec International Ltd in any way and the contact details are supplied for information only. Read manufacturers label before using any cleaning materials.

IMPORTANT

Matki Glass Guard is guaranteed for 2 years. It is essential that the cleaning instructions are followed in order to maintain the hydrophobic properties of the glass coating. In the event of the failure to comply in any way with these instructions, any warranty or guarantee will be null and void.

MATKI PLC, CHURCHWARD ROAD, YATE, BRISTOL, BS37 5PL
TELEPHONE:01454 328816 (AFTER SALES) FAX:01454 328821 EMAIL: techsupport@matki.co.uk



matki | SHOWERING

13

Matki PLC, Churchward Road, Yate,
Bristol BS37 5PL

EN 14428:2008+A1