

# matki | SHOWERING

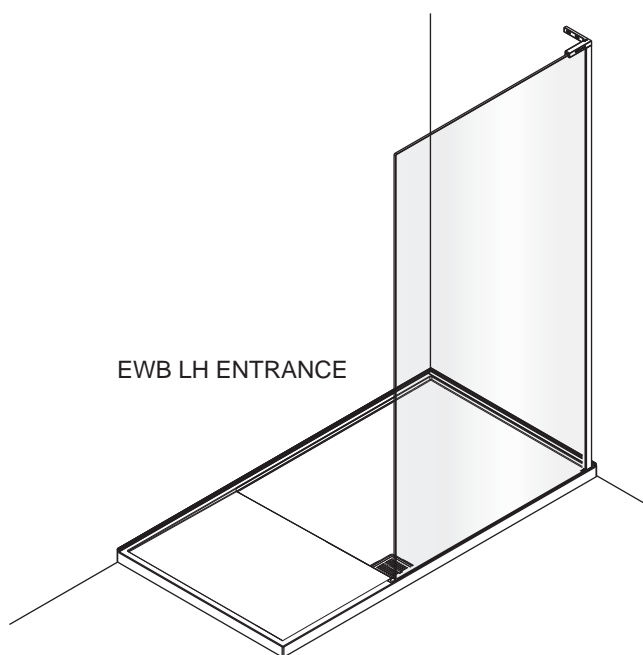
## EAUZONE PLUS EWB, EWH - WETROOM PANEL WITH TRAY

INSTALLATION

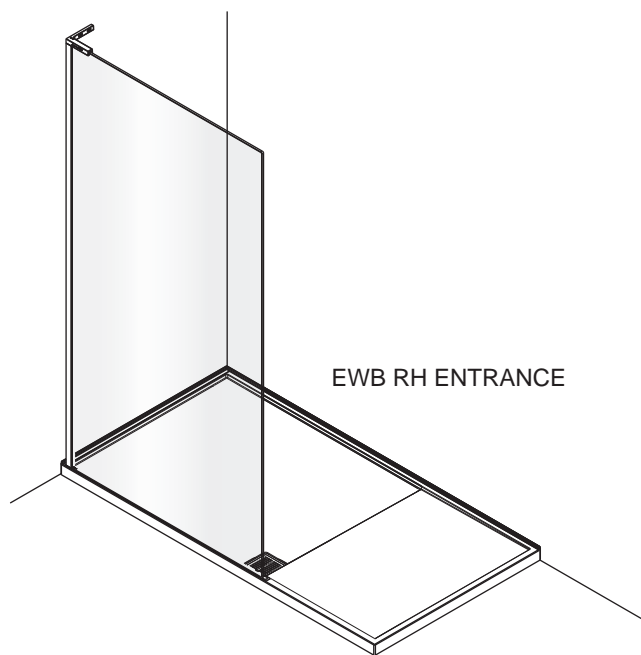
PARTS LIST

THE STAGES IN THIS  
INSTALLATION BOOKLET SHOW  
AN EWP AND EWH LH ENTRANCE  
INSTALLATION, REVERSE FOR RH

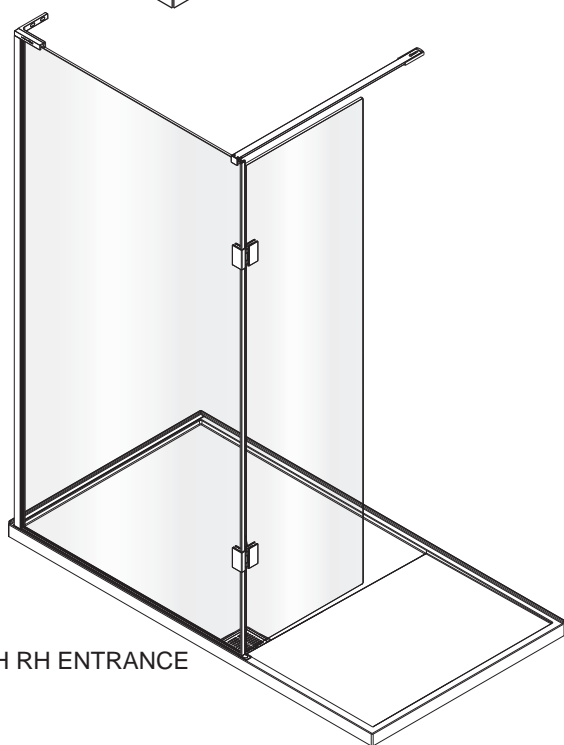
EWB LH ENTRANCE



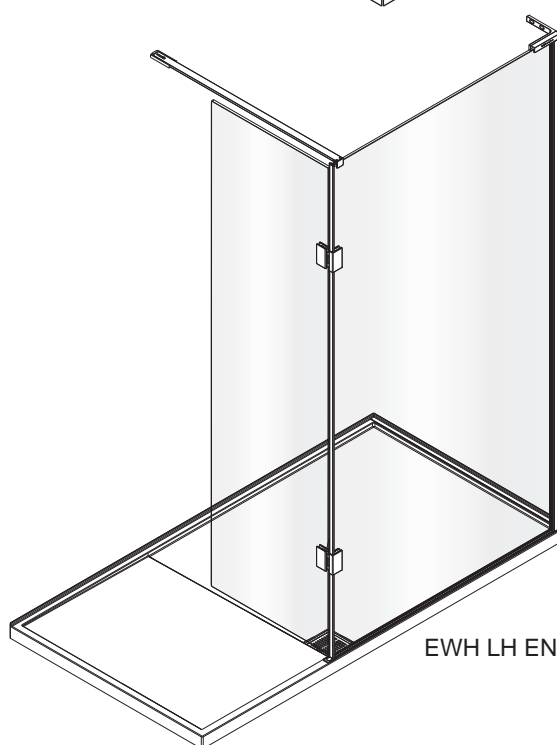
EWB RH ENTRANCE



EWH RH ENTRANCE



EWH LH ENTRANCE



**MATKI PLC, CHURCHWARD ROAD, YATE, BRISTOL, BS37 5PL**  
TELEPHONE:01454 328816 (AFTER SALES) FAX:01454 328821 EMAIL: techsupport@matki.co.uk

## IMPORTANT

## TOOLS REQUIRED

Masonry Drill bit 6mm, Tape Measure, Screw Drivers, Safety Glasses, Electric Drill, Level, Pencil, Adjustable Spanners, Non Slip Gloves

Before disposing of carton and/or commencing assembly, please check all the parts to ascertain that none are missing and they are all undamaged. No claim for missing/damaged parts will be accepted once the packing carton has been disposed of and/or assembly has commenced.

In case of query contact your Stockist with details of model number and details of serial number.

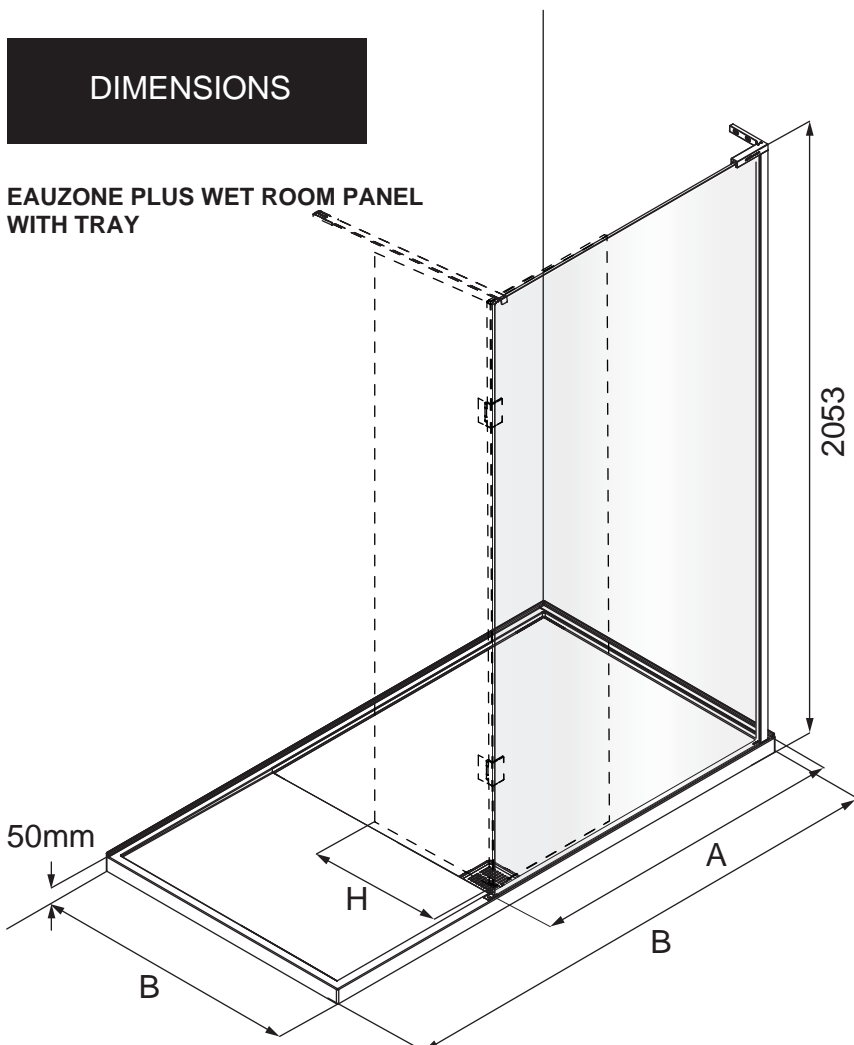
### PREPARATION IMPORTANT

1. Please read complete installation instructions before fitting for enclosure and tray (if fitting).
2. We recommend that two people are available for fitting of Wetroom Panel, Stage 2. The **Eauzone Plus** range is **10mm Glass** construction. Large glass panels are very heavy. We recommend the use of safety glasses and non slip gloves when handling the glass panels.
3. Ensure that the product can be **fixed** to a **solid masonry wall** or suitable **timber stud work grade C16/C24** in the area behind the wall frames and panel fixing brackets.
4. Shower trays or tiled floors **must be absolutely level** where they are fitted
5. We recommend a **drainage test** is carried out before the tray is tiled in position.
6. The assembly should be installed onto a waterproof wall covering and installed after the tray and wall coverings are in place. Trays with tiling lips should be let into the wall with the tiling lip flush with the wall to allow the tiling to overlap the tiling lip.
7. Seal between tray and tiles. Remove any excess sealant from the area/joint between the tray and the tiles where the wall mount is to be fitted. This will ensure the wall mount fits correctly to the wall and tray/or tiled floor.

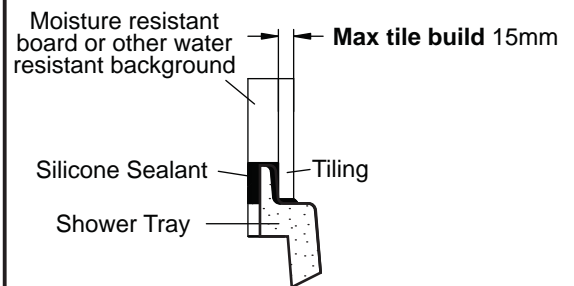
**CAUTION: TEMPERED GLASS CANNOT BE CUT, POLISHED METAL AND CHROME CAN BE SCRATCHED. CAREFULLY REMOVE ASSEMBLY FROM CARTON, DO NOT PLACE GLASS ON HARD FLOOR OR EXPOSE EDGES TO IMPACT.**

## DIMENSIONS

### EAUZONE PLUS WET ROOM PANEL WITH TRAY

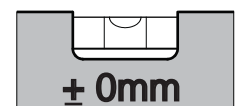


### TYPICAL INSTALLATION OF SHOWER TRAY



Alternatively bottom of wall may be cut back to allow tiling lip to be flush with wall.

**TRAY MUST BE LEVEL  
IN ALL PLANES**

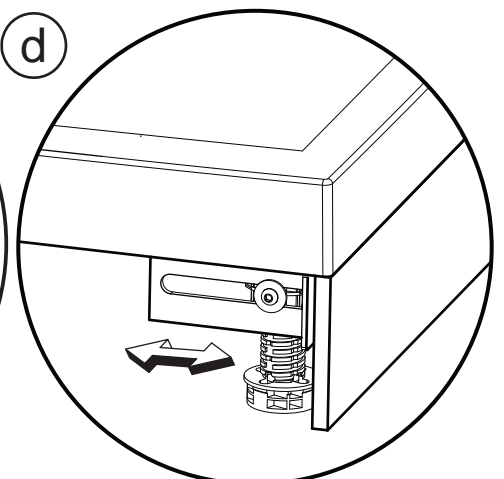
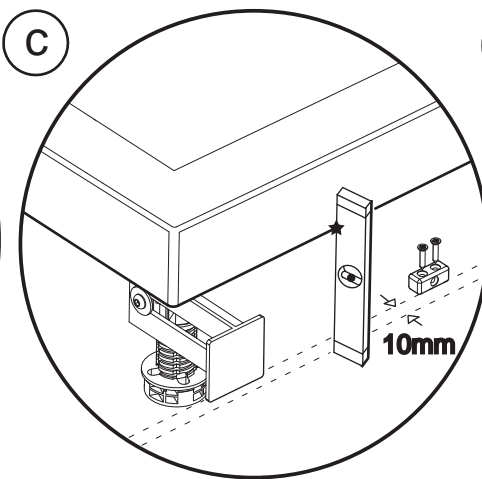
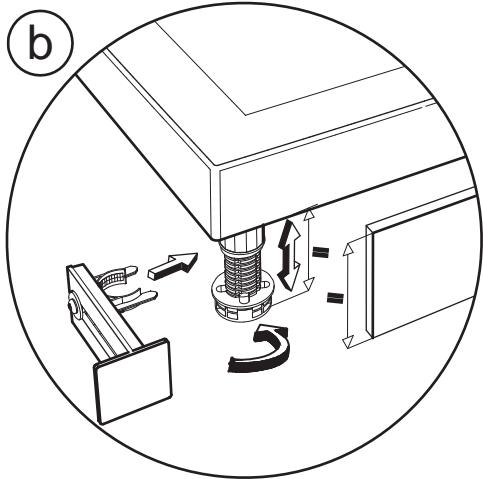
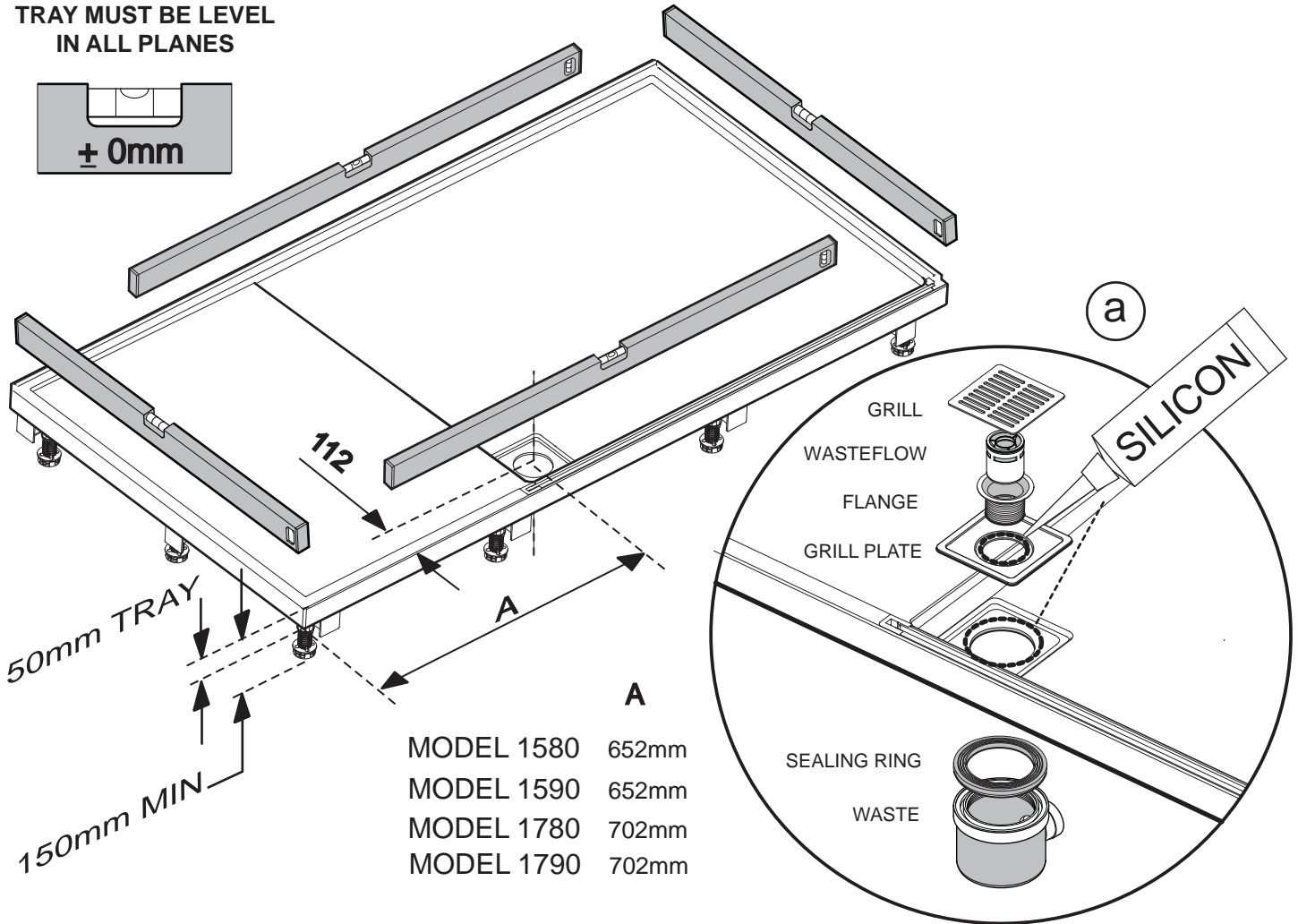


MODEL	A	B	H (HINGE PANEL)
EWB/EWH 1580	905-920	1500-800	440
EWB/EWH 1590	905-920	1500-900	490
EWB/EWH 1780	1055-1070	1700-800	490
EWB/EWH 1790	1055-1070	1700-900	540

Dimensions are approximate

## RAISED TRAY VERSIONS AND FITTING WASTE

TRAY MUST BE LEVEL  
IN ALL PLANES



**a.** When fitting the shower waste apply a small continuous bead of silicon to the tray waste recess before fitting the square grill plate. Also apply a small continuous bead of silicon sealant in the circular recess of the square grill plate before fitting the shower waste and flange together. See installation instructions with shower waste. Push fit the adjustable legs into cups on underside of the tray.

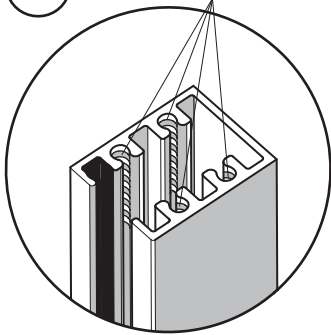
**b.** Adjust the height of the tray by winding the lower part of the leg to match the height of the front panel. Clip the panel brackets provided on to the legs that will be supporting the panel.

**c.** If required fit the support blocks supplied between legs.

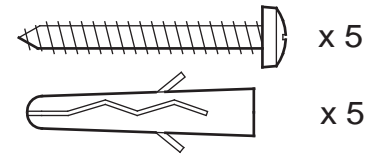
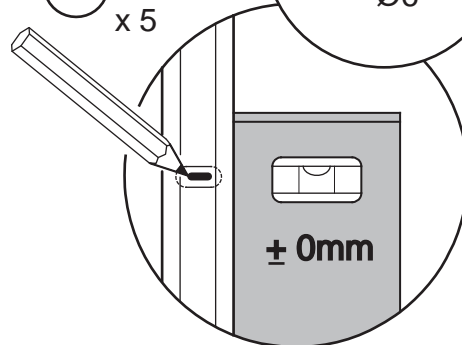
**d.** Adjust the panel brackets so that the panel is flush with the front face of the tray. The Matki panels are supplied extra long and these can be trimmed to size if needed using a fine toothed hacksaw. Align the velcro pads supplied with the panel brackets and fit the panel.

## STAGE 1

### a TOP THREADS IN SCREW PORTS



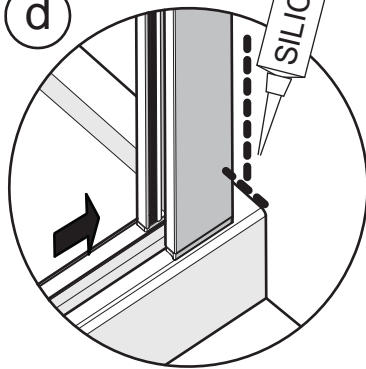
### c x 5



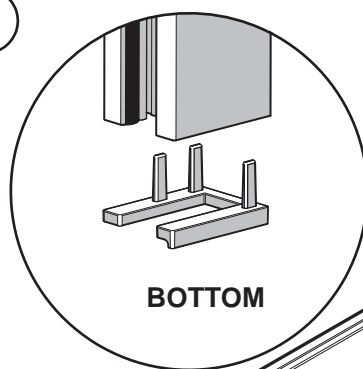
x 5

**Please note:** Use 5 fixing screws when wall surfaces are uneven. Use a minimum of 3 fixing screws, top, middle and bottom on flat wall surfaces

### d



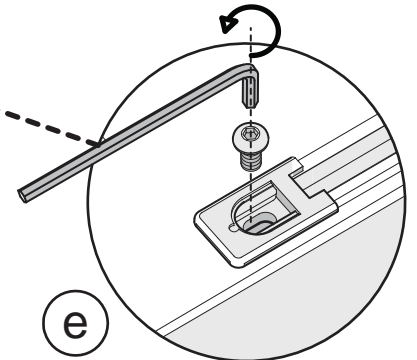
### b



### Please note:

For Hinge models (EWH) please remove the tray gasket end cap before fitting glass panel.

### e



### This stage is describing the fitting of the Front panel wall mount.

- The Wall mount has a top and bottom, the top has the threaded holes for the fitting of the top wall bracket.
- Before placing the wall mount fit the bottom cap with the thicker edge on the outside. Place the wall mount onto the top of the tray glass gasket. Align the opening in the wall mount with the opening in the tray glass gasket. Both LH & RH bottom caps are included in the kit of parts.
- Plumb the wall mount for upright and mark the fixing holes in the centre of the slots.
- Drill 5 x fixing holes in the wall and insert the wall plugs. Clean area and apply silicon sealant to the area behind the wall mount between the tray and tiles and 100mm up the wall, central to the width of the wall mount. Secure the wall mount using the No.8 x 32mm pan head screws, plumb the wall mount for upright do not overtighten the screws to allow for adjustment.
- For EWH models with hinge panels, please remove the tray gasket end cap before fitting the glass panel into the tray.

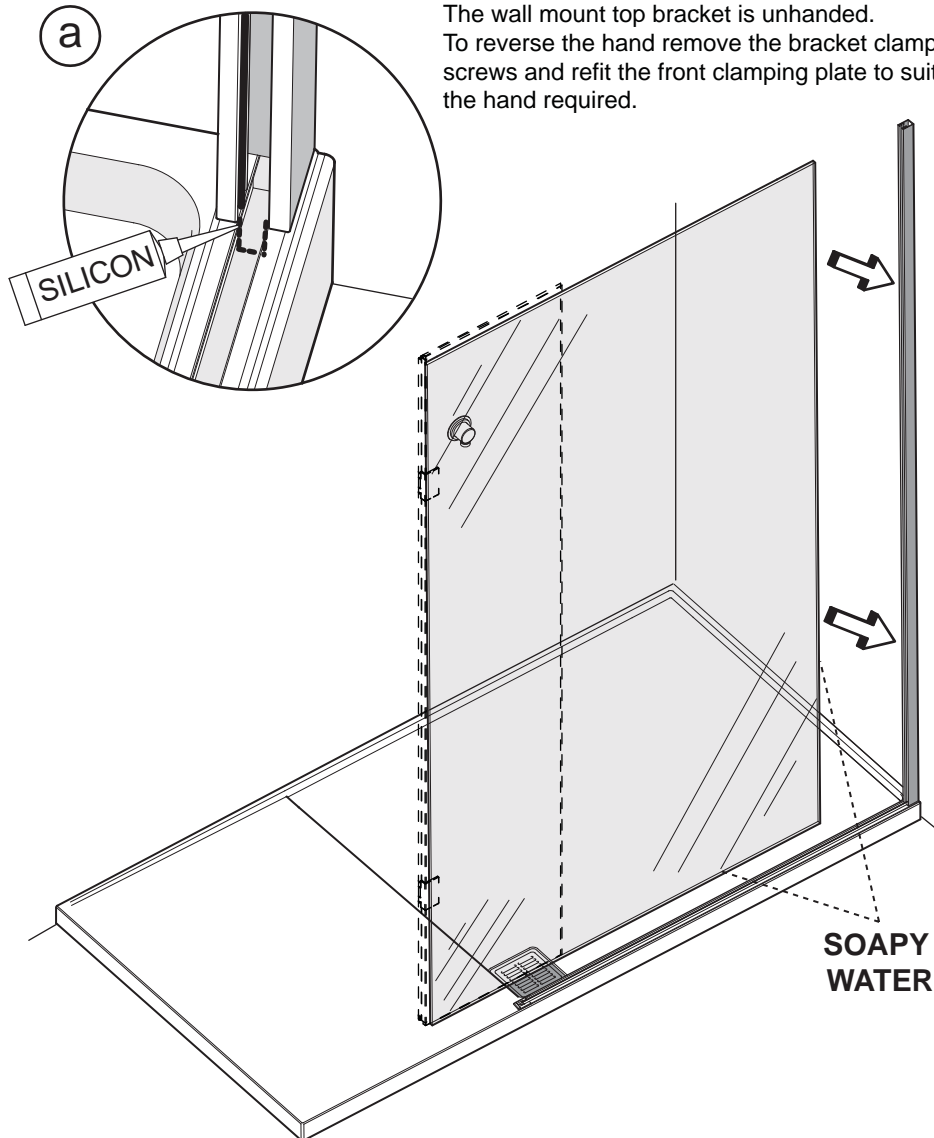
## STAGE 2



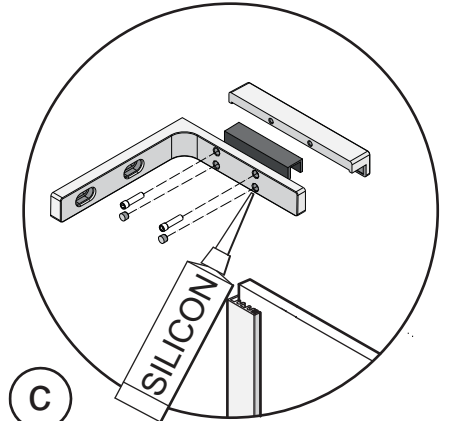
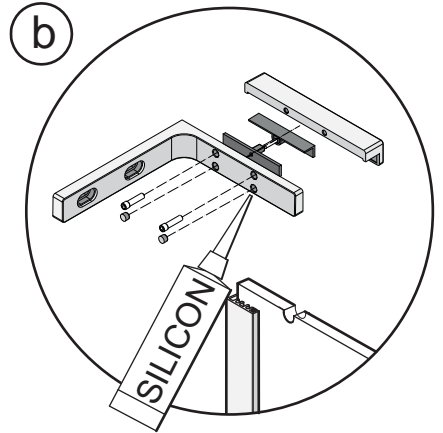
### The wall mount top bracket.

The wall mount top bracket is supplied with additional components to suit glass panels supplied with or without a location cut out in the top edge of the glass. Use the hard plastic 2 piece gasket for glass with a cut out. Use the rubber single piece gasket for glass without the cut out.

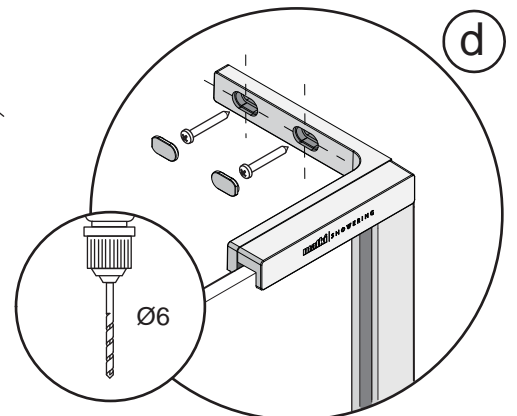
The wall mount top bracket is unhandred. To reverse the hand remove the bracket clamping screws and refit the front clamping plate to suit the hand required.



### GLASS WITH NOTCH EWB



### GLASS WITHOUT NOTCH EWH



**This stage is describing the fitting of the Front panel glass. EWH Panels are unhandred. Rotate for correct hand before fitting. We recommend two people are available for this stage.**

**a.** Before fitting the glass panel apply a small 'U' shaped bead of silicon in the base and sides of the tray gasket at the opening of the wall mount.

**IMPORTANT:** For the **EWB** model fit the front panel with the cut out in the top of the glass panel nearest the wall. Lightly wet the vertical and bottom horizontal edge of the glass panel with soapy water and carefully lower the panel into the wall mount tray gasket. Push the top of the glass panel into the wall mount first followed by the bottom.

**b.** For the **EWB** model with the cut out in the top edge of the glass fit the two piece hard plastic 'U' shaped gasket on the top edge of the glass with the grooved face of the gasket facing outwards. Fit the wall bracket over the glass and onto the top of the wall mount.

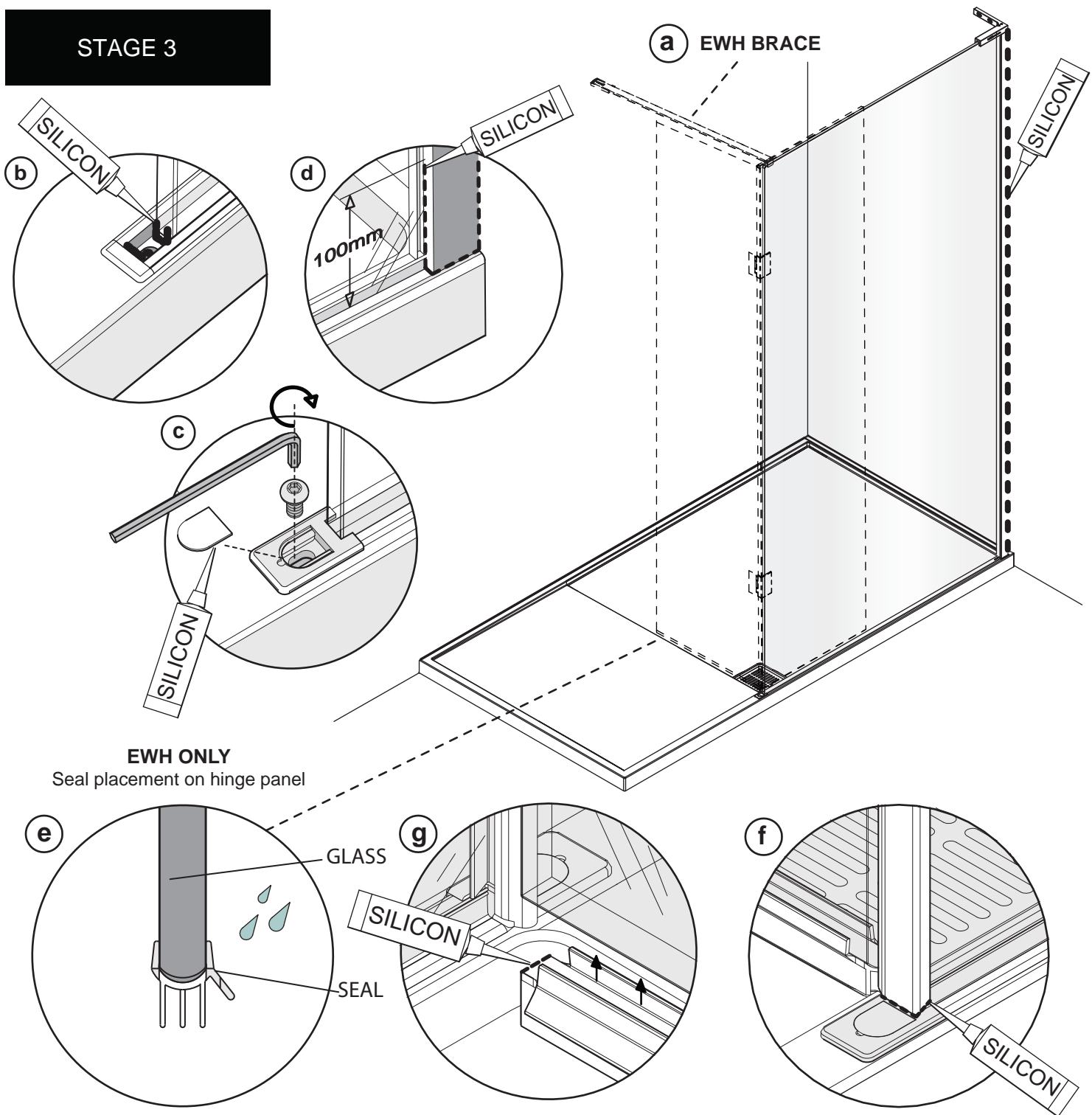
**d.** Mark the centre of the slotted holes in the wall bracket onto the wall, remove the wall bracket and drill and fix the wall plugs. Refit the wall bracket. Clamp the bracket to the glass by tightening the clamping screws on the inside of the bracket. Fit the clamping screw cover caps into the two unused holes on the inside of the wall bracket. Apply a small spot of silicon in the holes before fitting the caps.

**c.** For the **EWH** models fit the one piece rubber 'U' shaped gasket onto the top edge of the glass with the grooved face of the gasket facing outwards. Fit the wall bracket over the glass and onto the top of the wall mount.

**d.** Mark the centre of the slotted holes in the wall bracket onto the wall, remove the wall bracket and drill and fix the wall plugs. Refit the wall bracket. Clamp the bracket to the glass by tightening the clamping screws on the inside of the bracket. Fit the clamping screw cover caps into the two unused holes on the inside of the wall bracket. Apply a small spot of silicon in the holes before fitting the caps.

**d.** Fix the bracket to the wall using the No.8 x 50mm Pan head screws and fit the bracket screw cover caps.

## STAGE 3



### EWH ONLY

Seal placement on hinge panel

**This stage is describing the siliconging of the panel and end caps.**

**a.** For the EWH fit the brace bar. Separate Instructions are supplied with the brace bar.

**b.** Apply a 'u' shaped bead of silicon sealant in the base and sides of the tray gasket at the end of the glass panel and end of the tray gasket.

**c.** Fit the panel end cap into the tray gasket and secure with the M6 button head screw, place a small spot of silicon sealant under the screw cover and fit.

**d.** Apply a thin bead of silicon sealant along the bottom edge of the wall mount where it meets the tray and 100mm up the joint between the glass panel and wall mount. Apply silicon sealant all the way up the outside of the wall mount extrusion between the wall mount and tiles. Masking tape can be used to achieve a tidy edge to the sealant. Remove the masking tape immediately and allow the silicon to cure for 24 – 48 hours before using the shower.

**e.** Fit the Hinge panel horizontal seal to the bottom edge of the panel with the deflector edge on the inside of the hinge glass panel. Before fitting the seal place a small spot of silicon sealant at the hinge end of the seal between the bottom edge of the glass panel and seal. Push fit the seal onto the glass so that the end of the seal is flush with the end of the hinge panel glass where it meets the vertical hinge seal.

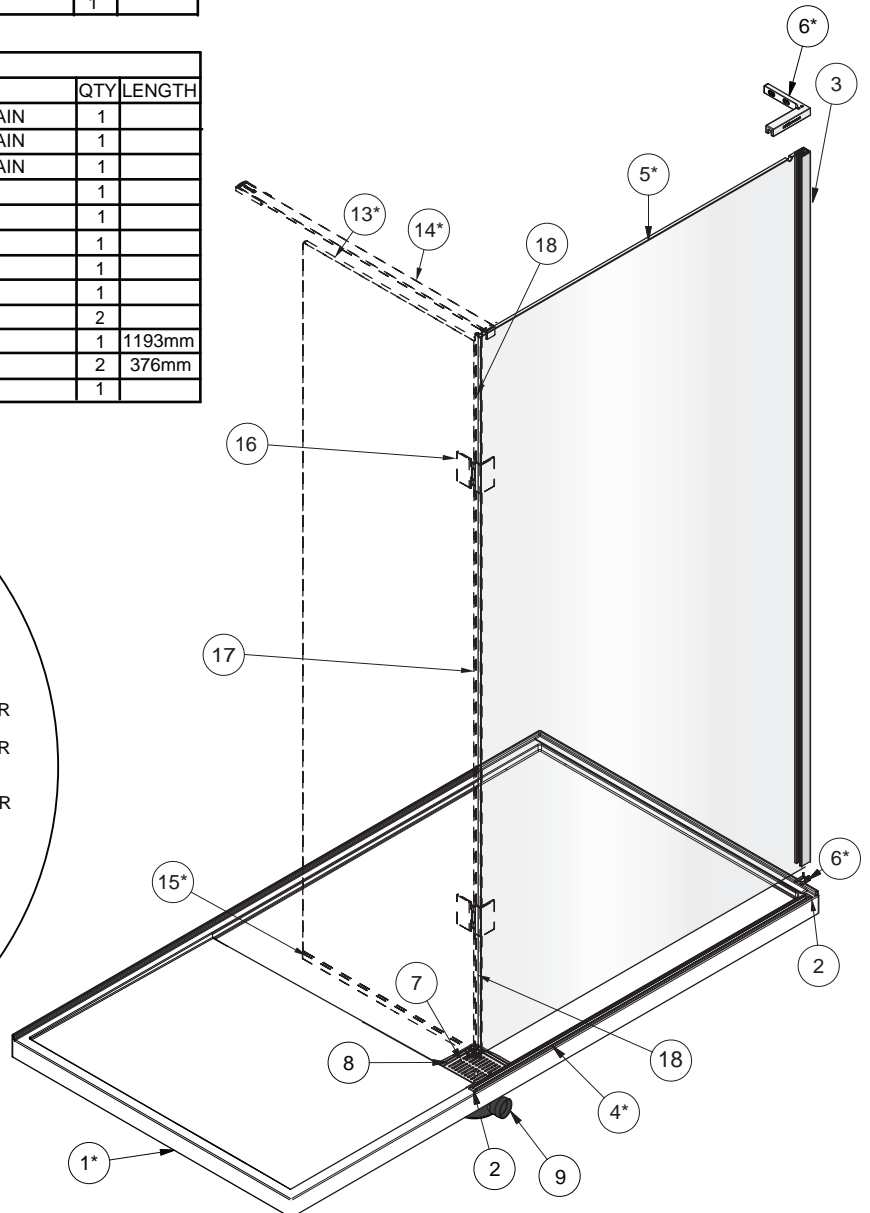
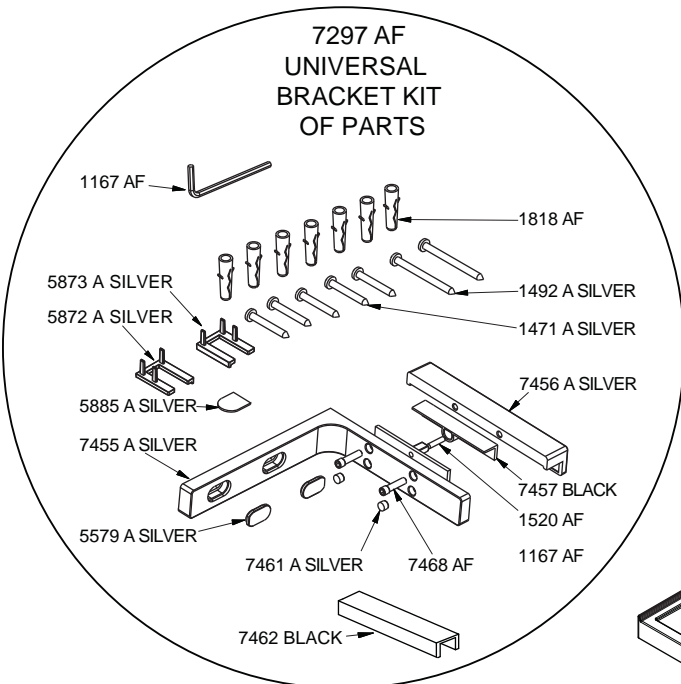
**f.** Apply silicon sealant where the hinge vertical seal meets the panel end cap and shower tray.

# PARTS LIST

\* ITEM VARIES DEPENDING ON MODEL

PARTS LIST				
ITEM	DESCRIPTION	PART No.	QTY	LENGTH
1*	EWB 1790 RH ENTRANCE	EWPNWCC 1700 x 900 RH	1	
1*	EWB 1790 LH ENTRANCE	EWPNWCC 1700 x 900 LH	1	
1*	EWB 1780 RH ENTRANCE	EWPNWCC 1700 x 800 RH	1	
1*	EWB 1780 LH ENTRANCE	EWPNWCC 1700 x 800 LH	1	
1*	EWB 1590 RH ENTRANCE	EWPNWCC 1500 x 900 RH	1	
1*	EWB 1590 LH ENTRANCE	EWPNWCC 1500 x 900 LH	1	
1*	EWB 1580 RH ENTRANCE	EWPNWCC 1500 x 800 RH	1	
1*	EWB 1580 LH ENTRANCE	EWPNWCC 1500 x 800 LH	1	
2	TRAY GASKET END CAP	5888 WHITE	2	
3	WALK-IN END PANEL MOUNT	5794 A SILVER	1	
4*	EWP FRONT PANEL TRAY GASKET (1700)	2345 WHITE	1	1075mm
4*	EWP FRONT PANEL TRAY GASKET (1500)	2344 WHITE	1	925mm
5*	EWP WALK-IN FRONT PANEL (1700)	8066 M CLEAR/PLAIN	1	1049mm
5*	EWP WALK-IN FRONT PANEL (1500)	8065 M CLEAR/PLAIN	1	899mm
6*	UNIVERSAL WALL BRACKET KIT OF PARTS	7297 AF	1	
7	SQUARE TRAY GRILL	7491 A SILVER	1	
8	SQAURE WASTE FLANGE	5861 A SIVLER	1	
9	FASTFLOW WASTE 70mm WITH FLANGE	RR NEW SQUARE WASTE	1	
10	CLEAR SILICON SEALANT 78g	1967 AF	1	
11	INSTALLATIONS INSTRUCTIONS	0980 AF	1	
12	GUARANTEE BOOKLET	1061 AF	1	

EWH MODEL - PARTS LIST				
ITEM	DESCRIPTION	PART No.	QTY	LENGTH
13*	EWH WALK-IN HINGE PANEL 450mm	8176 M CLEAR/PLAIN	1	
13*	EWH WALK-IN HINGE PANEL 500mm	8177 M CLEAR/PLAIN	1	
13*	EWH WALK-IN HINGE PANEL 550mm	8178 M CLEAR/PLAIN	1	
14*	BRACE BAR KIT 1580 (135)	7322 AF	1	
14*	BRACE BAR KIT 1590 (135)	7323 AF	1	
15*	EWH HORIZONTAL SEAL 450	2372 AF	1	
15*	EWH HORIZONTAL SEAL 500	2373 AF	1	
15*	EWH HORIZONTAL SEAL 550	2374 AF	1	
16	EWH INWARD OPENING HINGE KIT	7294 AF	2	
17	EWH/EWPH CENTRE VERTICAL SEAL	2378 CLEAR	1	1193mm
18	EWH/EWPH TOP & BOTT SEAL	2379 CLEAR	2	376mm
19	UNIVERSAL WALL BRACKET KIT OF PARTS	7297 AF	1	



We recommend that these instructions are handed to the user with a note of a date of purchase and model details.  
To order replacements quote: Part Descriptions, Model, Part Number and Colour.

## MAINTENANCE

### Matki Glass Guard Easy Clean Surface Protection (optional) and General Cleaning Guide

#### Cleaning Instructions

Matki Glass Guard allows water to form minute beads which easily trickle off the surface of the glass. This makes the glass easier to clean - the glass does not need to be cleaned as frequently, but it does require occasional maintenance. As less cleaning is required the use of detergents can be minimised thus helping to protect the environment. The lifespan of the Matki Glass Guard is dependant on the frequency of use of the shower and the degree of water hardness.

The combination of alkaline materials and humidity affects glass in an extremely aggressive way. Do not use bleach, alkaline, acid-based or aggressive and abrasive glass cleaners, detergents or household cleaning products on the glass or frames.

We recommend that glass is washed down with clean water and a soft clean cloth or sponge and dried off with a microfibre cloth.

The special coating is only present on the inside of the glass.

Matki Glass Guard is guaranteed for 2 years provided that the guidelines and cleaning instructions are followed.

Aluminium and Chrome parts should be cleaned with a mild non scratch household cleaner and a soft cloth or sponge.

Do not use acidic-based descaler products or products which are unsuitable for cleaning enamelled surfaces, including abrasive cleaners or cleaners containing bleach or solvents, as the products will effect the anodised framework. Under no circumstances use cleaners with a pH level exceeding 8.

Matki does not recommend the use of 'Leave-on' shower cleaners on Matki Glass Guard Products.

**Water Softeners and Glass Guard** - Certain types of water softeners increase the alkalinity of the water due to a carry-over of Chloride during re-generation which can cause aggressive water spots on both untreated and Glass Guarded glass. If using a water softener we recommend a two-cylinder machine with automatic re-generation instead of a timer.

If a single-cylinder water softener with timer is already installed it is recommended that after each shower excess water is removed from the glass with a squeegee or with a micro-fibre cloth.



Wash down with clean warm water and a soft clean cloth or sponge.



Do not use bleach, alkaline or acid-based, aggressive or abrasive cleaning products.

Flash Bathroom Spray or Cif Bathroom Spray can be used on Matki Products.

Various specialist cleaning and glass dressing products are available from Ritec International Ltd Tel. 020 8344 8210 or [www.ritec.co.uk](http://www.ritec.co.uk). Matki Plc is not connected with Ritec International Ltd in any way and the contact details are supplied for information only. Read manufacturers label before using any cleaning materials.

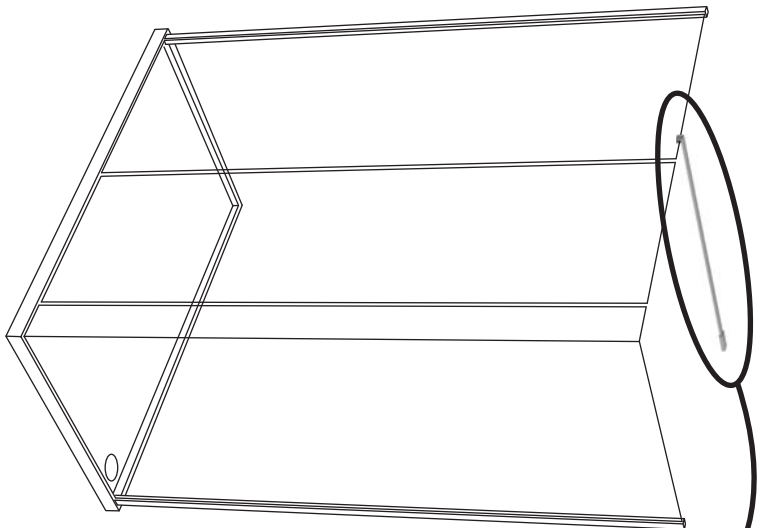
#### IMPORTANT

Matki Glass Guard is guaranteed for 2 years. It is essential that the cleaning instructions are followed in order to maintain the hydrophobic properties of the glass coating. In the event of the failure to comply in any way with these instructions, any warranty or guarantee will be null and void.

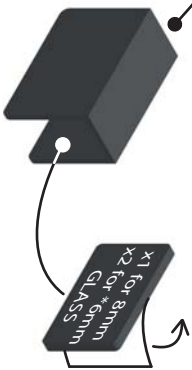
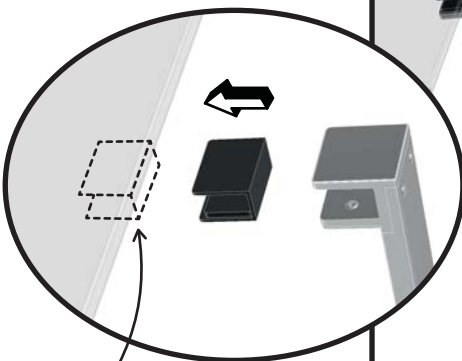
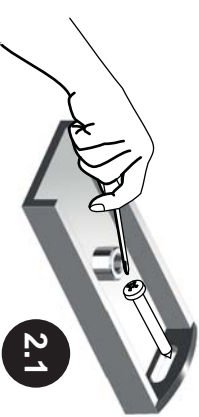
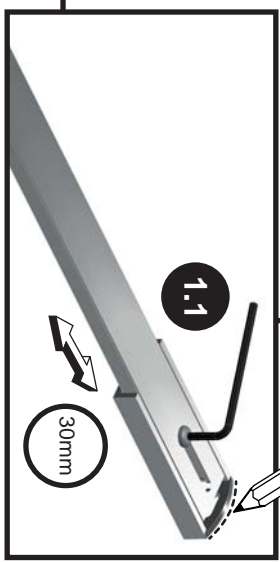
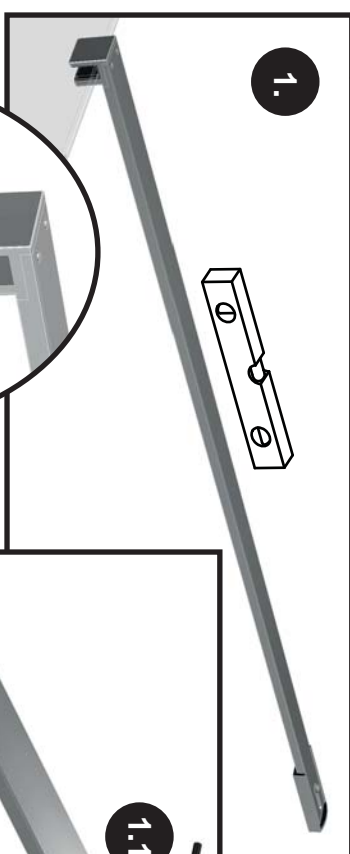


# matki | SHOWERING

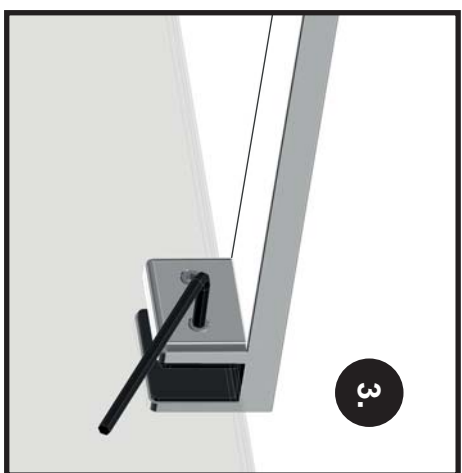
## BRACE BAR FITTING INSTRUCTIONS



THE MATKI BRACE BAR IS USED ON A VARIETY OF MATKI SHOWER ENCLOSURE CONFIGURATIONS. THE ABOVE IMAGE IS FOR ILLUSTRATION PURPOSES ONLY.



\*FOR 6mm GLASS USE  
2x RUBBER GASKETS,  
1 EITHER SIDE OF PLASTIC  
GASKET.



1. LOCATE, LEVEL AND MARK WALL BRACKET PLACEMENT (1.1). ENSURE PLASTIC GASKET IS IN PLACE OVER THE GLASS (SEE ILLUSTRATION).
2. DRILL AND LOCATE WALL PLUG IN MARKED LOCATION.
- 2.1 SECURE WALL BRACKET USING THE N04 x 32 PAN HEAD SCREW.
3. SECURE GLASS BRACKET OVER PLASTIC GASKET AND FASTEN THE TWO GRUB SCREWS.

**MATKI PLC, CHURCHWARD ROAD, YATE, BRISTOL, BS37 5PL**  
TELEPHONE: 01454 328816 (AFTER SALES) FAX: 01454 328821 EMAIL: techsupport@matki.co.uk