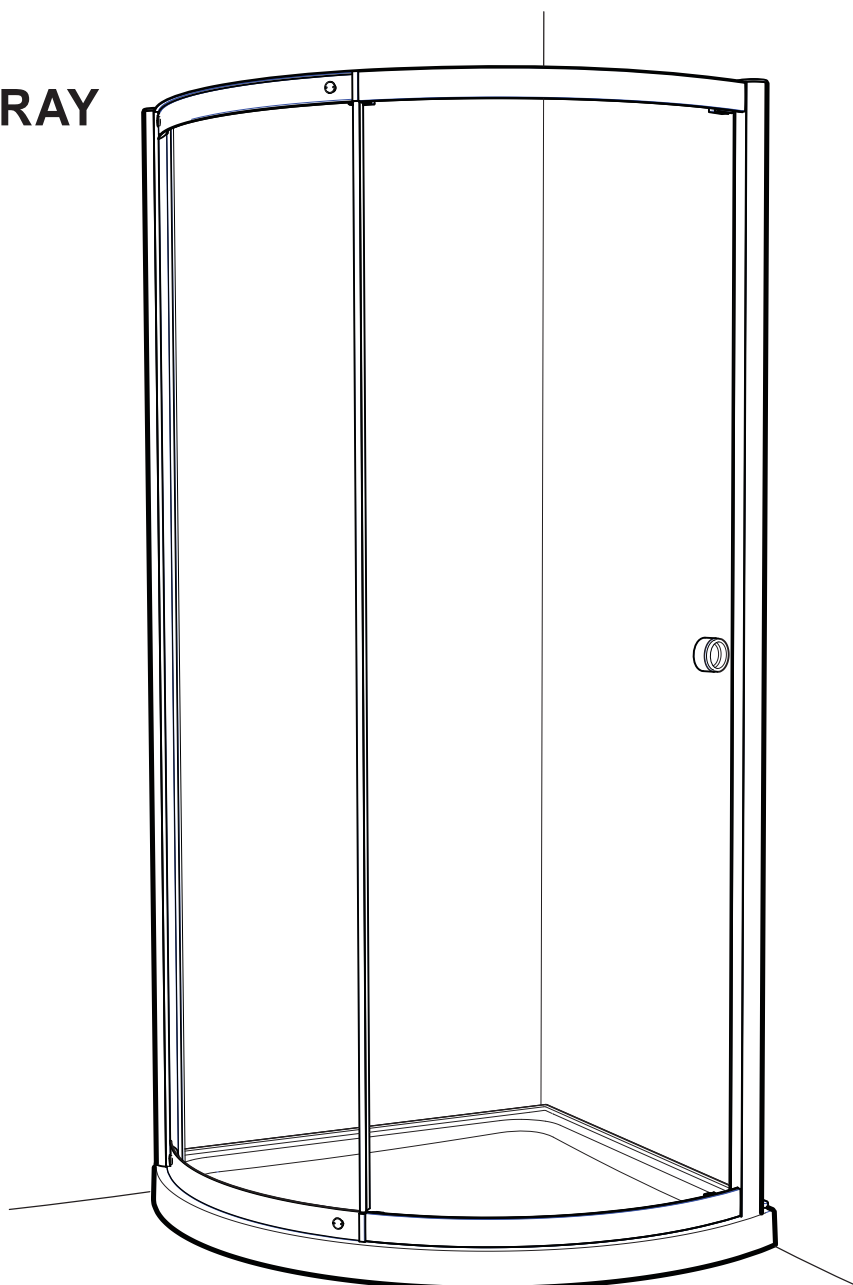


# matki

SHOWERING  
COLONADE  
CURVED CORNER  
SLIDING DOOR + TRAY

INSTALLATION

PARTS LIST



MODEL: NCC800 LH/RH  
NCC900 LH/RH

**MATKI PLC, CHURCHWARD ROAD, YATE, BRISTOL, BS37 5PL**  
TELEPHONE:01454 328816 (AFTER SALES) FAX:01454 328821 EMAIL:techsupport@matki.co.uk

## IMPORTANT

Before disposing of carton and/or commencing assembly, please check all the parts to ascertain that none are missing and they are all undamaged. No claim for missing/damaged parts will be accepted once the packing carton has been disposed of and/or assembly has commenced.

In case of query contact your Stockist with details of model number and details of serial number.

Due to the weight of the surround we recommend that two people are available for assembly.

### PREPARATION

Please read complete installation instructions before fitting.

**Ensure top of tray is level**, tray should be let into wall with tiling lip face flush with the wall to allow tiling to overlap tiling lip. **The assembly should be installed onto waterproof wall covering and installed after the Tray and wall coverings are in place.**

Carefully remove assembly from carton, do not place glass on hard floor or expose edges to impact.

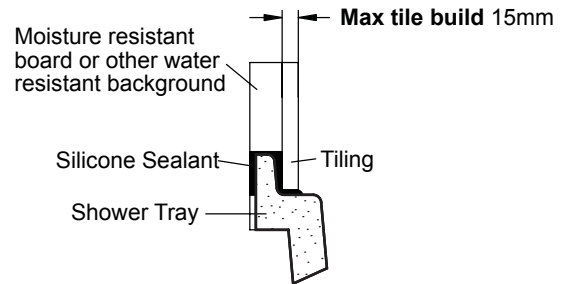
**Ensure top of tray is level.** Seal between tray and tiles. Remove any excess sealant from the area/joint between the tray and tiles where the Wall Mount will be fitted this will ensure the Wall Mount fits correctly to the wall and tray.

**CAUTION: TEMPERED GLASS CANNOT BE CUT, POLISHED METAL AND CHROME CAN BE SCRATCHED.**

### TOOLS REQUIRED

Masonry Drill bit 6mm, Tape Measure, Screw Drivers, Safety Glasses, Electric Drill, Level, Pencil,

### TYPICAL INSTALLATION OF SHOWER TRAY

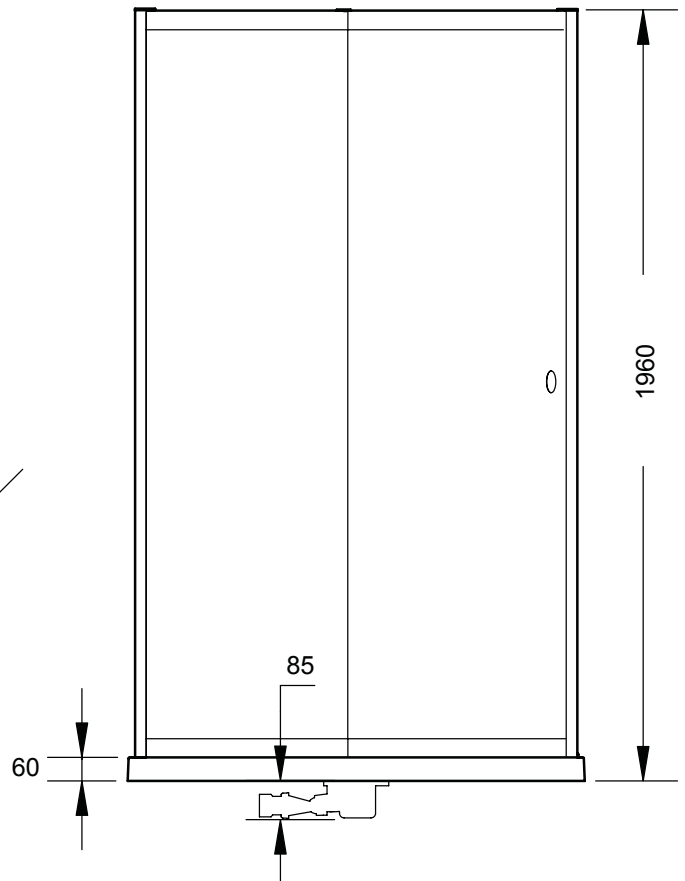
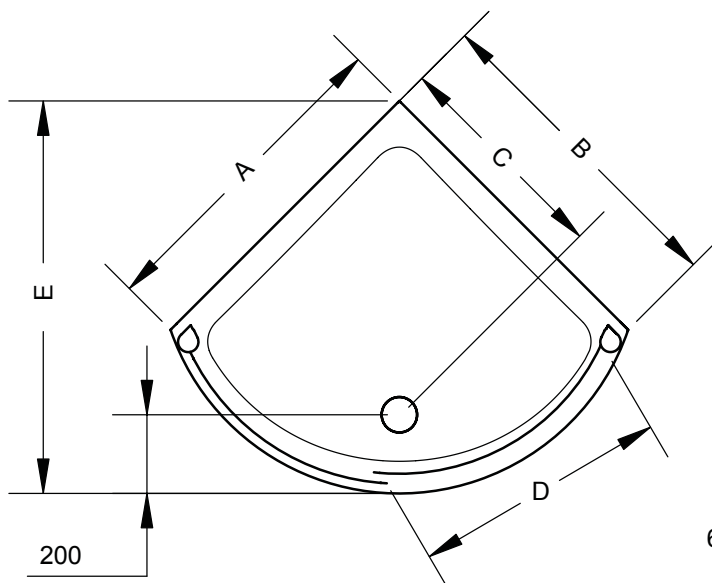


Alternatively bottom of wall may be cut back to allow tiling lip to be flush with wall.

**Ensure top of shower tray is level**

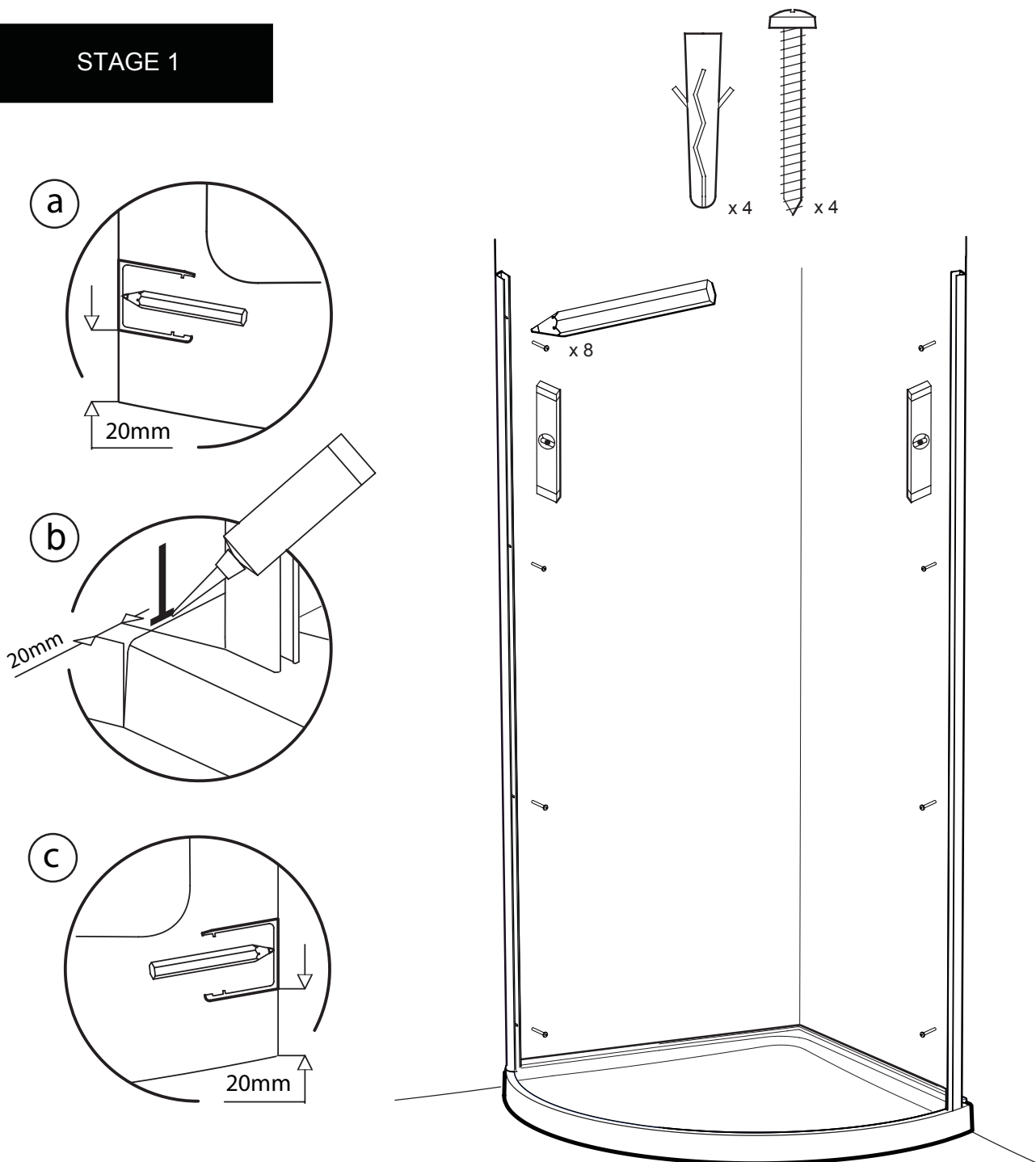
## DIMENSIONS

Model	A	B	C	D	E
NCC800	823	823	564	550	998
NCC900	923	923	636	622	1100



Dimensions are approximate due to nature of materials used

## STAGE 1

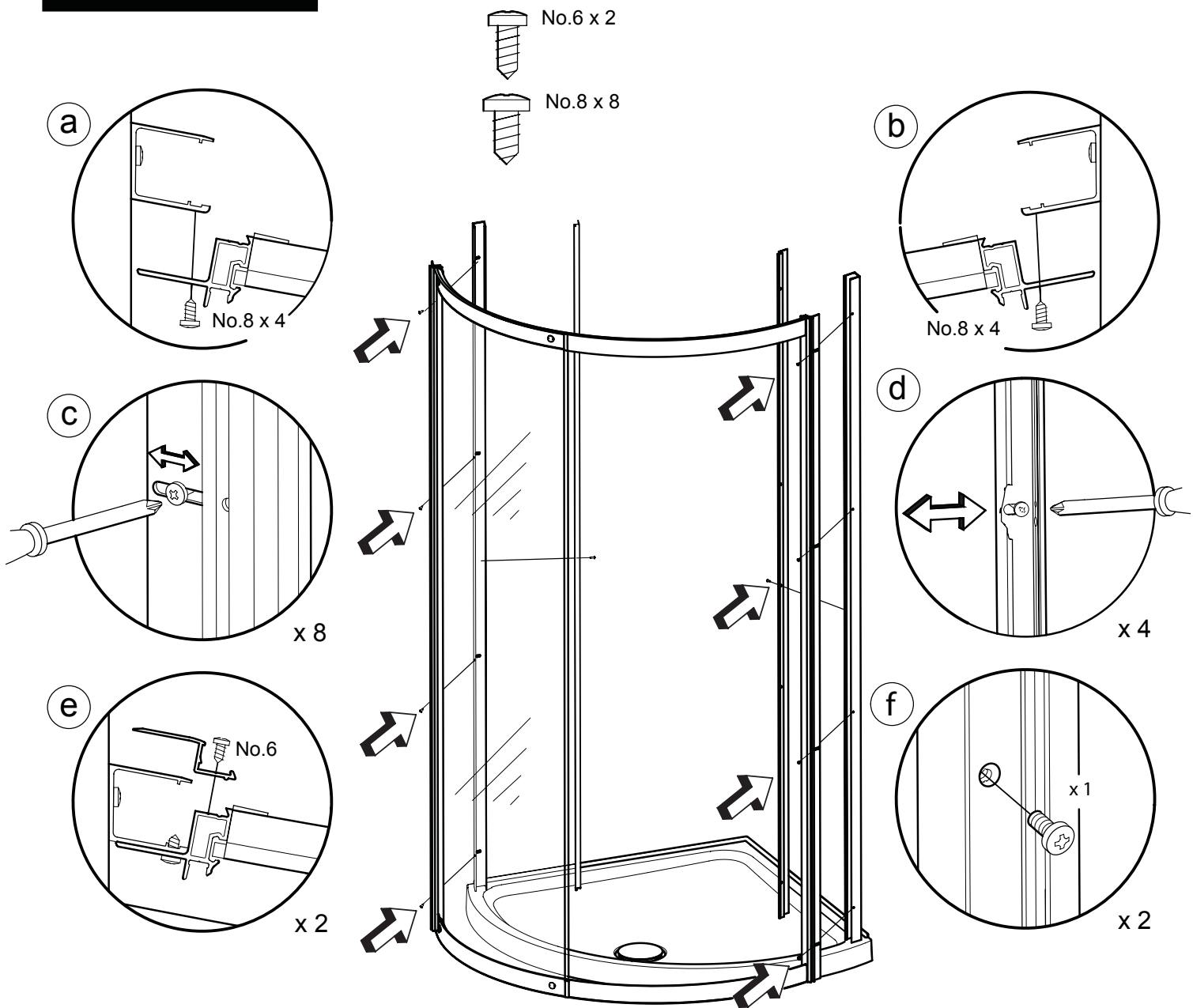


### **This stage is describing the Wall Mount installation.**

Position the Wall Mount on the top of the tray so that the outside face of the Wall Mount is approximately 20mm from the outside bottom edge of the tray (1a,1b,1c). Plumb the Wall Mount for upright and mark the fixing holes on the wall in the centre of the slots. Drill the fixing holes in the wall and insert the Wall Plugs. Clean the area.

Apply Silicon Sealant to the area behind the Wall Mount between the tray and the tiles and 100mm up the wall, central to the width of the Wall Mount (1b). Fit the Wall Mount with the No.8 x 32mm Pan Head Wall Screws. Repeat this stage for the opposite Wall Mount (1c).

## STAGE 2



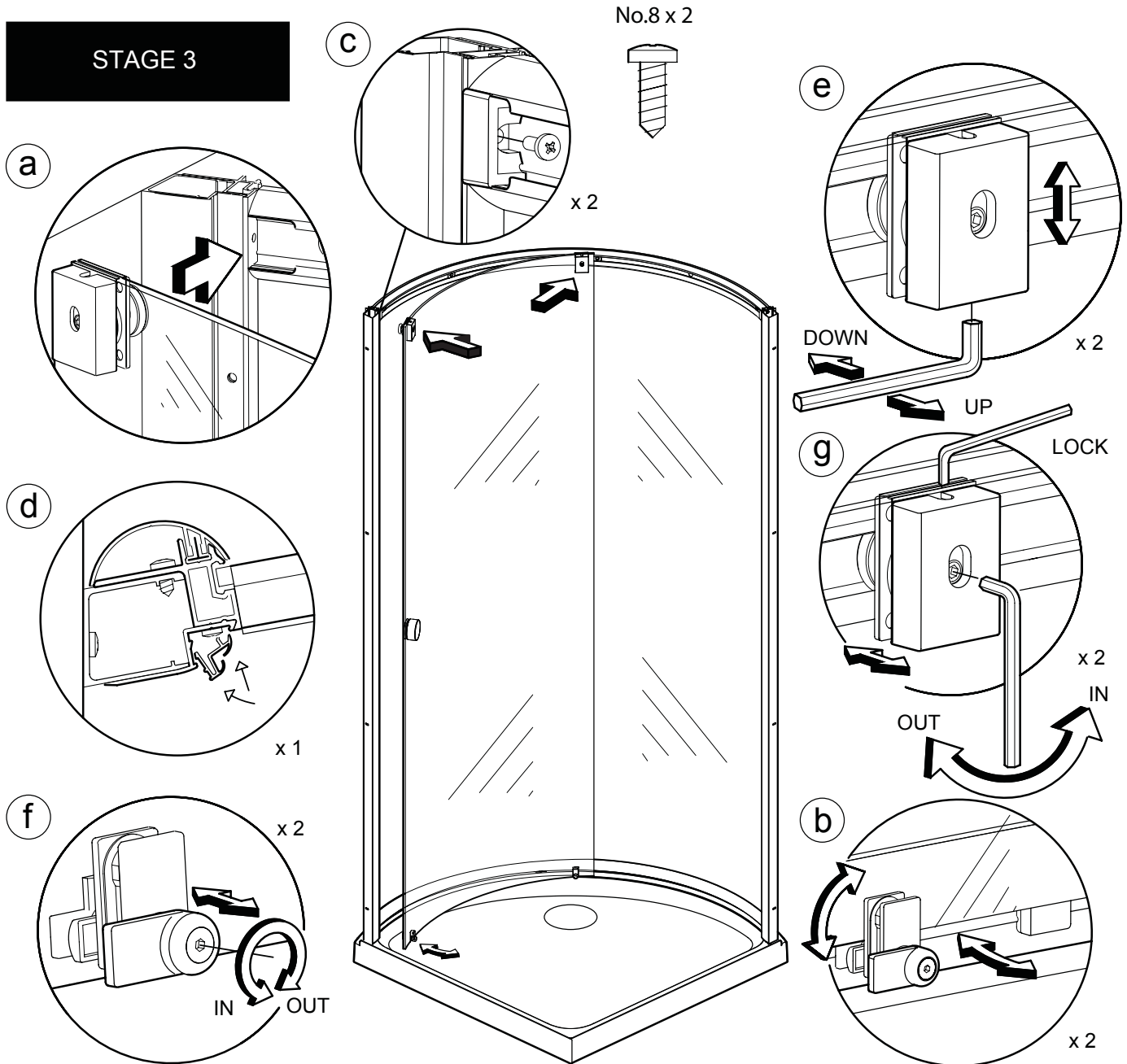
### This stage is describing the fitting of the Fixed Panel and Frame and Adjustment.

Carefully lift the Frame assembly onto the tray taking care not to scratch or mark the Shower tray. Secure the Frame in place using the factory fitted No.8 x 9.5mm Pan Head Screws (2a,2b).

Adjust as required to centralise the Frame between the Wall Mounts, square the frame so that it is at 90 degrees to the shower tray. Adjust the Wall Mounts for upright eg. left to right as required by the Wall Mount screws and adjustment slots in the Wall Mounts (2d).

Fit the Inside Covers to the Vertical Frames using the centre fixing hole with the No.6 x 9.5mm Pan Head Screws (2e, 2f).

## STAGE 3

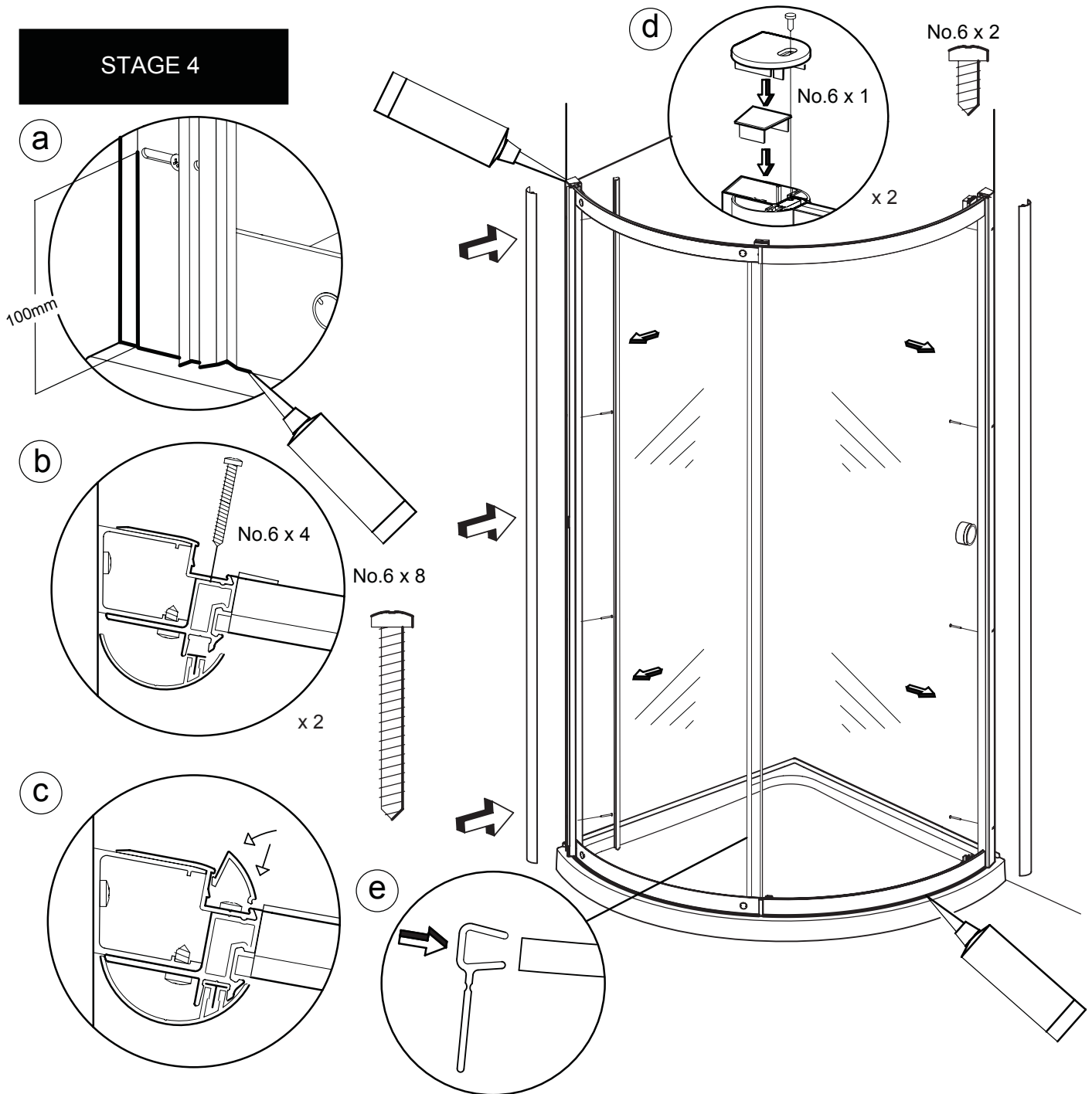


### This stage describes the fitting and adjustment of the Door panel.

Carefully lift the door through the Door aperture. First engage the door roller into the central opening in the top track then lift and move the door within the track to engage the second roller into the opening at the end of the track (3a). Rotate the Guide levers on the bottom edge of the glass to the horizontal position to allow the guides to fit under the bottom track guide rail, rotate the guides back into the vertical position to engage them into the bottom track (3b). Before adjusting the door fit the doors stops in the openings at the ends of the Top track and secure with the No.8 x 13mm Pan Head Screws (3c). Fit the Closing Seal into the Back Cover on the opening side vertical frame by fitting the small leg of the cover in first then clipping the long leg into the back cover (3d).

The Door Glass can be raised or lowered by adjustment in the roller blocks, the door is factory set in the lowest position. The door glass can also be moved in or outwards from the horizontal tracks to adjust to the closing seal or centre seal by adjusting the roller blocks and guides. To lower the door rotate the adjustment screw in the underside of the Roller Block Clockwise with the 4mm Allen key, to raise the door rotate Anti-clockwise (3e). To move the door glass closer to the top track, centre seal or closing seal rotate the adjustment screw in the back of the roller block Anti-clockwise with the 4mm allen key, to move the door away from the top track rotate Clockwise. Lock the in and out Adjustment in the roller blocks with the socket set screw in the top of the roller block using the 2.5mm Allen Key (3g). To adjust the door glass to the bottom track, centre seal or closing seal, firstly rotate the guide levers to dis-engage them from the bottom track (3b). Lift the door glass slightly away from the bottom track, rotate the guide levers Anti-clockwise to make the guide pull the glass closer to the bottom track, rotate the guide levers Clockwise to make the guide push the door glass away from bottom track (3f). Engage the guides back into the bottom track after adjustment (3b).

## STAGE 4



### **This stage is describing the Sealing and fitting of the Covers.**

Apply a thin and even bead of clear silicon sealant along all outside joints. Seal between the shower enclosure and shower tray, Wall Mounts and tiled surfaces. Apply silicon sealant to the joint between the Wall Mount and Vertical Frame approximately 100mm up from the bottom (4a). Masking tape can be used to achieve a neat edge to the sealant, remove the masking tape immediately after the sealant is applied. When all the adjustments to the door have been completed fit the Front Covers. The covers can be removed for remedial sealing to be carried out.

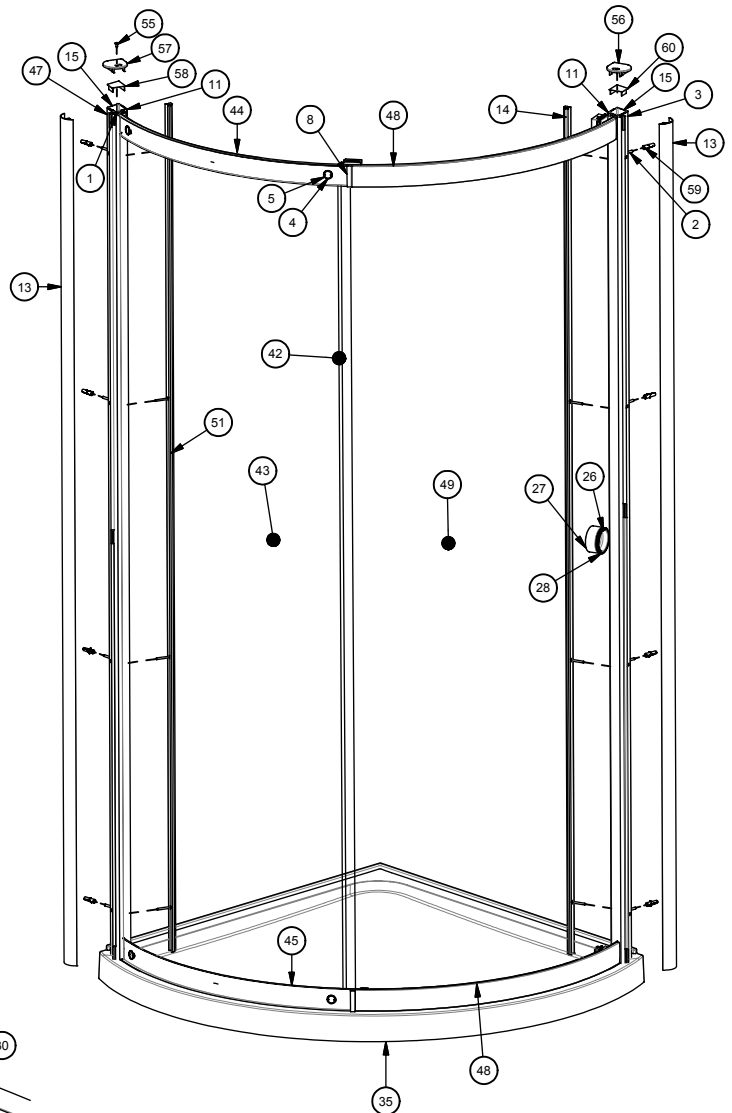
Clip the Front Covers into the Vertical Frames (4b). From the inside of the shower enclosure secure the Front Covers and Back covers through the Vertical Frames with the No.6 x 32mm Pan Head Screws. Do not overtighten these screws. It is recommended that these screws are tightened by hand.

Fit the Screw Cover into the Back Cover on the vertical frame shown by fitting the small leg of the Seal in first then clipping the long leg of the Screw Cover into the Back Cover (4c). Start at the bottom and move upwards firmly pressing the cover into position (4c). Fit the Wall Mount Caps and Column Top Caps, secure the column top caps with the No.6 x 9.5mm Pan Head Screws (4d). Fit the Door Seal to the opposite edge of the glass to the door handle with the fin facing towards the fixed panel glass (4e). It is recommended that the silicon sealant is allowed to cure for 24 hours before use.

# PARTS LIST

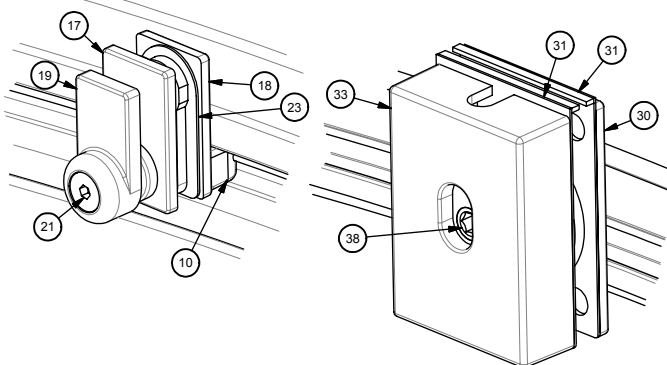
# NCC 800/900

Parts List					Parts List				
ITEM	DESCRIPTION	PART No.	QTY	LENGTH	ITEM	DESCRIPTION	PART No.	QTY	LENGTH
1	SLIDER CHASSIS INFILL	5160 BLACK	4		52	KIT OF PARTS			
2	ST4.2 x 32 PAN No8	1471 A SILVER	8		53	END STOP	5161 BLACK	2	
3	SLIDER CHASSIS DOOR RH	2568 A SILVER	1		54	ST3.5 x 32 PAN No6	1494 A SILVER	8	
	SLIDER CHASSIS DOOR LH	2766 A SILVER	1		55	ST3.5 x 9.5 PAN No6	1405 A SILVER	4	
4	GLASS FIXING	5123 A SILVER	4		56	RECESS TOP CAP RH	5129 A SILVER	1	
5	GLASS BUSH	5165 BLACK	4		57	RECESS TOP CAP LH	5132 A SILVER	1	
6	FIXING WASHER	5148 A SILVER	10		58	20 DEGREE WALL MOUNT CAP LH	5170 A SILVER	1	
7	M5 x 6 CSK SKT	1500 A SILVER	10		59	WALL PLUG	1818 AF	8	
8	HORIZONTAL CENTRE CAP 6mm	5167 AF	2		60	20 DEGREE WALL MOUNT CAP RH	5169 A SILVER	1	
9	HORIZONTAL INFILL FIXING	5156 BLACK	6		61	ST4.2 x 32 PAN No8	1471 A SILVER	8	
10	CENTRE STOP	5164 BLACK	1		62	NCC800/900 INSTALLATION INSTRUCTIONS	1097 AF	1	
11	BACK COVER	2566 A SILVER	2		63	WOO ALAN KEY 4mm	1166 AF	1	
12	COVER CLIP	5136 WHITE	6		64	CSC ALAN KEY 2.5mm	1168 AF	1	
13	FRONT COVER	2546 A SILVER	2		65	CLEAR SILICONE SEALANT 78g	1967 AF	1	
14	CLOSURE GASKET	2258 CLEAR	1		66	EZ PARTS KIT BAG	4420 AF	1	
15	20DEG WALL MOUNT	2764 A SILVER	2		67	ECC PARTS KIT BAG	4431 AF	1	
16	SLIDER GUIDE	5144 A SILVER	2		68	SH PARTS KIT BAG HW 30	4435 AF	1	
17	GUIDE BACK PLATE	5145 A SILVER	2		69	ST4.2 x 12 PAN No8	1424 A SILVER	2	
18	GUIDE FRONT PLATE	5146 A SILVER	2						
19	GUIDE LEVER	5147 A SILVER	2						
20	SLIDER GUIDE BUSH	5159 BLACK	2						
21	M4 x 8 CSK SKT	1499 A SILVER	4						
22	DOOR GLASS BUSH	2490 WHITE	2						
23	DOOR GLASS BUSH	2498 WHITE	2						
24	ROO GUIDE SPACER (0424125)	1634 AF	2						
25	GUIDE SPRING	1911 AF	2						
26	SLIDER HANDLE FRONT	5142 A SILVER	1						
27	SLIDER HANDLE BACK	5143 A SILVER	1						
28	HANDLE BUSH FRONT	5157 BLACK	1						
29	HANDLE BUSH BACK	5154 BLACK	1						
30	ROLLER BLOCK BACK PLATE	5152 A SILVER	2						
31	ROLLER BLOCK GASKET(6mm)	5162 CLEAR	4						
32	ROLLER BLOCK(6mm)	5151 AF	2						
33	ROLLER BLOCK FRONT PLATE	5150 A SILVER	2						
34	ROLLER BEARING	1880 AF	2						
35	800/900 CURVED TRAY		1						
36	CHROME SHOWER WASTE	FF90 CHROME	1						
37	HOLE PLUG	5168 A SILVER	2						
38	MODIFIED SOCKET SET SCREW	1369 A SILVER	2						
39	M5 x 10 SKT SET	1467 A SILVER	2						
40	M4 x 16 CSK SKT	1404 A SILVER	6						
41	M5 x 12 SKT CAP	1372 A SILVER	2						
42	CENTRE VERTICAL GASKET 6mm	2257 CLEAR	1						
43	NCC800 FIXED PANEL GLASS	4051 M	1						
	NCC900 FIXED PANEL GLASS	4052 M	1						
44	TOP HORIZONTAL TRACK 800	5216 A SILVER	1						
	TOP HORIZONTAL TRACK 900	5217 A SILVER	1						
45	BOTTOM HORIZONTAL TRACK 800	5218 A SILVER	1						
	BOTTOM HORIZONTAL TRACK 900	5219 A SILVER	1						
46	ST3.5 x 13 PAN No6	1432 A SILVER	1						
47	SLIDER FIXED CHASSIS 8mm RH	2769 A SILVER	1						
48	INFILL TRACK 800	5220 A SILVER	2						
	INFILL TRACK 900	5221 A SILVER	1						
49	NCC800 DOOR GLASS RH	4053 M	1						
	NCC800 DOOR GLASS LH	3828 M	1						
	NCC900 DOOR GLASS RH	4055 M	1						
	NCC900 DOOR GLASS LH	4056 M	1						
50	PANEL GASKET	2259 AF	1						
51	SCREW COVER	2243 A SILVER	1	1900					



GUIDE

ROLLER BLOCK



We recommend that these instructions are handed to the user with a note of a date of purchase and model details.  
To order replacements quote:Part Descriptions, Model, Part Number and Colour.

## MAINTENANCE

### Matki Glass Guard Easy Clean Surface Protection (optional) and General Cleaning Guide

#### Cleaning Instructions

Matki Glass Guard allows water to form minute beads which easily trickle off the surface of the glass. This makes the glass easier to clean - the glass does not need to be cleaned as frequently, but it does require occasional maintenance. As less cleaning is required the use of detergents can be minimised thus helping to protect the environment. The lifespan of the Matki Glass Guard is dependant on the frequency of use of the shower and the degree of water hardness.

The combination of alkaline materials and humidity affects glass in an extremely aggressive way. Do not use bleach, alkaline, acid-based or aggressive and abrasive glass cleaners, detergents or household cleaning products on the glass or frames.

We recommend that glass is washed down with clean water and a soft clean cloth or sponge and dried off with a microfibre cloth.

The special coating is only present on the inside of the glass.

Matki Glass Guard is guaranteed for 2 years provided that the guidelines and cleaning instructions are followed.

Aluminium and Chrome parts should be cleaned with a mild non scratch household cleaner and a soft cloth or sponge.

Do not use acidic-based descaler products or products which are unsuitable for cleaning enamelled surfaces, including abrasive cleaners or cleaners containing bleach or solvents, as the products will effect the anodised framework. Under no circumstances use cleaners with a pH level exceeding 8.

Matki does not recommend the use of 'Leave-on' shower cleaners on Matki Glass Guard Products.

**Water Softeners and Glass Guard** - Certain types of water softeners increase the alkalinity of the water due to a carry-over of Chloride during re-generation which can cause aggressive water spots on both untreated and Glass Guarded glass. If using a water softener we recommend a two-cylinder machine with automatic re-generation instead of a timer.

If a single-cylinder water softener with timer is already installed it is recommended that after each shower excess water is removed from the glass with a squeegee or with a micro-fibre cloth.



Wash down with clean warm water and a soft clean cloth or sponge.



Do not use bleach, alkaline or acid-based, aggressive or abrasive cleaning products.

Flash Bathroom Spray or Cif Bathroom Spray can be used on Matki Products.

Various specialist cleaning and glass dressing products are available from Ritec International Ltd Tel. 020 8344 8210 or [www.ritec.co.uk](http://www.ritec.co.uk).

Matki Plc is not connected with Ritec International Ltd in any way and the contact details are supplied for information only. Read manufacturers label before using any cleaning materials.

#### IMPORTANT

Matki Glass Guard is guaranteed for 2 years. It is essential that the cleaning instructions are followed in order to maintain the hydrophobic properties of the glass coating. In the event of the failure to comply in any way with these instructions, any warranty or guarantee will be null and void.

**MATKI PLC, CHURCHWARD ROAD, YATE, BRISTOL, BS37 5PL**  
TELEPHONE:01454 328816 (AFTER SALES) FAX:01454 328821 EMAIL: [techsupport@matki.co.uk](mailto:techsupport@matki.co.uk)



matki | SHOWERING

13

Matki PLC, Churchward Road, Yate,  
Bristol BS37 5PL

EN 14428:2008+A1