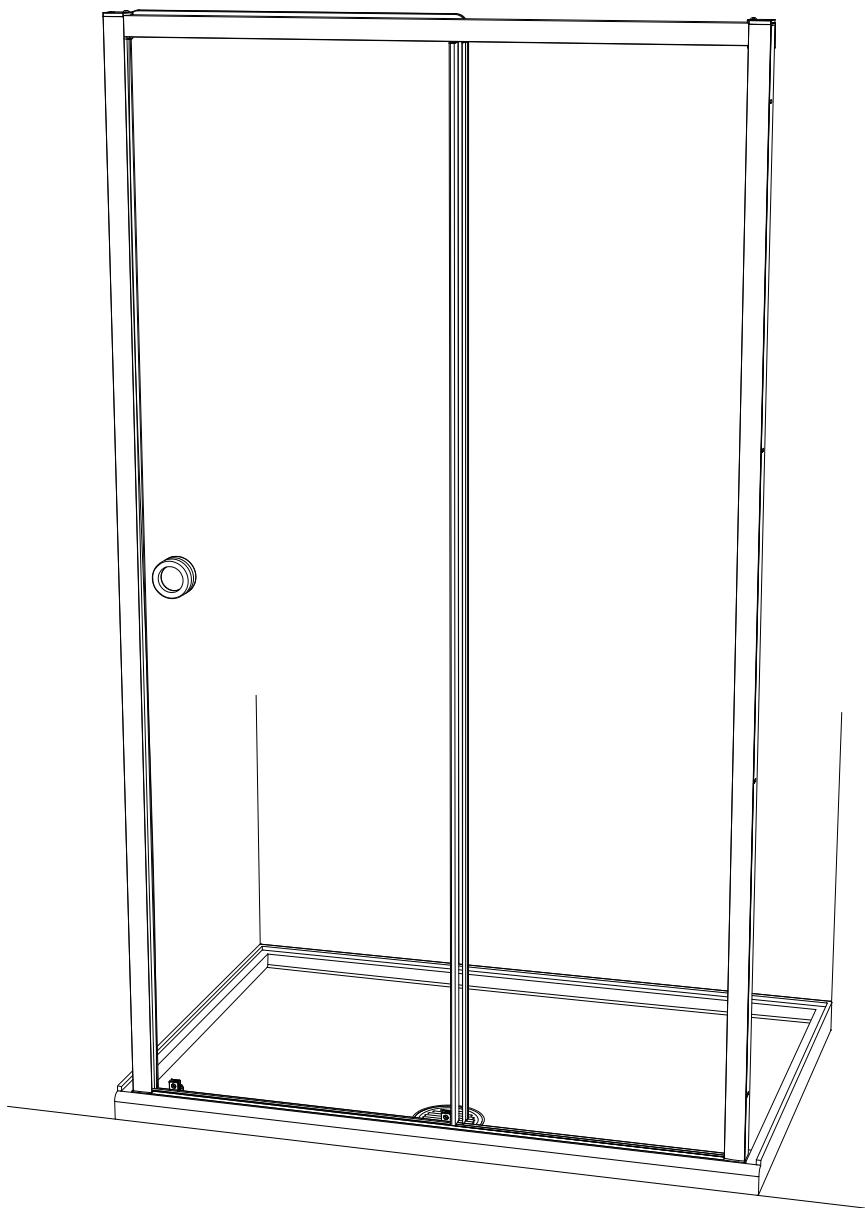


matki | S H O W E R I N G

NEW RADIANCE STRAIGHT SLIDER NRXS 1280/1290/1480/1490 - RECESS

INSTALLATION

PARTS LIST

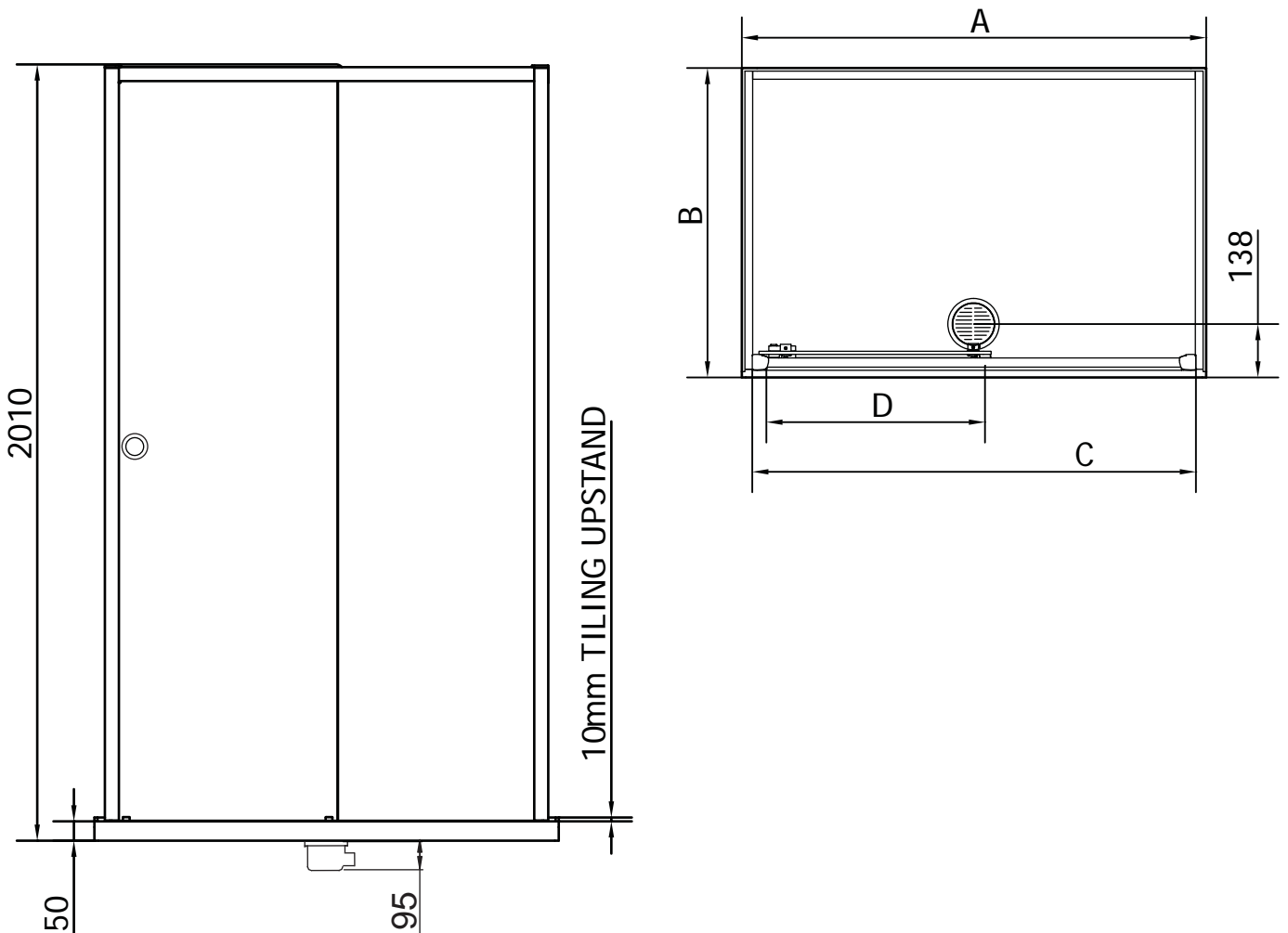


MATKI PLC, CHURCHWARD ROAD, YATE, BRISTOL, BS37 5PL
TELEPHONE:01454 328816 (AFTER SALES) FAX:01454 328821 EMAIL:techsupport@matki.co.uk

DIMENSIONS

Dimensions are approximate due to nature of materials used

MODEL	A	B	C	D
NRXS 1280	1200	800	1146-1184	465
NRXS 1290	1200	900	1146-1184	465
NRXS 1480	1400	800	1346-1384	565
NRXS 1490	1400	900	1346-1384	565



IMPORTANT

Before disposing of carton and/or commencing assembly, please check all the parts to ascertain that none are missing and they are all undamaged. No claim for missing/damaged parts will be accepted once the packing carton has been disposed of and/or assembly has commenced.

In case of query contact your Stockist with details of model number and details of serial number.

PREPARATION

Please read complete installation instructions before fitting.

Ensure top of tray is level, tray should be let into wall with tiling lip face flush with the wall to allow tiling to overlap tiling lip. **The assembly should be installed onto waterproof wall covering and installed after the Tray and wall coverings are in place.**

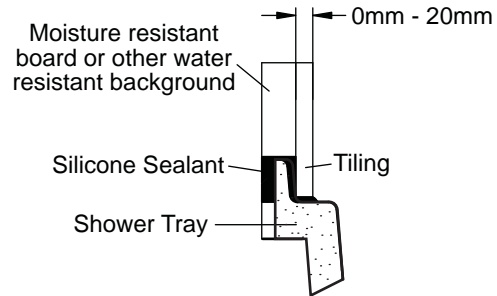
Carefully remove assembly from carton, do not place glass on hard floor or expose edges to impact.

Ensure top of tray is level. Seal between tray and tiles. Remove any excess sealant from the area/joint between the tray and tiles where the Wall Mount will be fitted this will ensure the Wall Mount fits correctly to the wall and tray.

CAUTION: TEMPERED GLASS CANNOT BE CUT, POLISHED METAL AND CHROME CAN BE SCRATCHED.

6mm Tile Masonry Drill Bit, Screw Drivers, Safety Glasses, Electric Drill, Spirit Level, Pencil.

TYPICAL INSTALLATION OF SHOWER TRAY



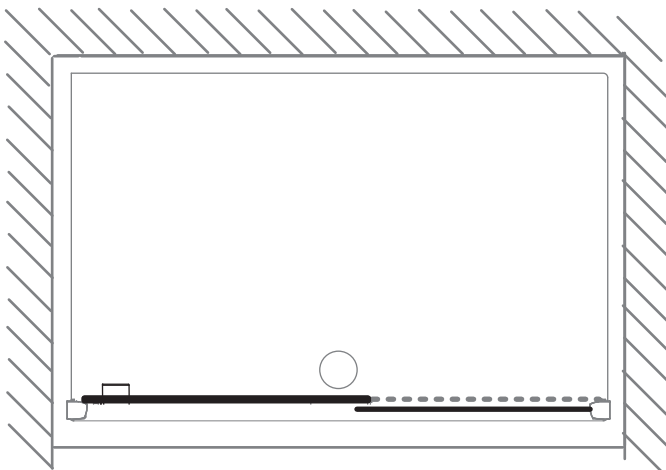
Alternatively bottom of wall may be cut back to allow tiling lip to be flush with wall.

Ensure top of shower tray is level

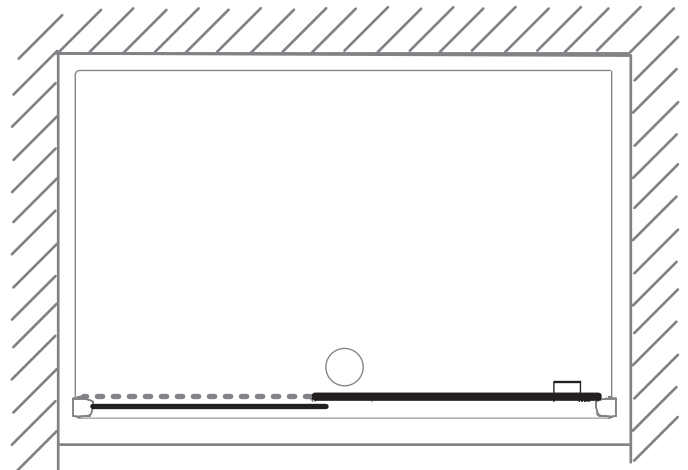
LH/RH NRXS

MODEL: NRXS 1280/1290/1480/1490

NOTE* LH/RH is factory assembled



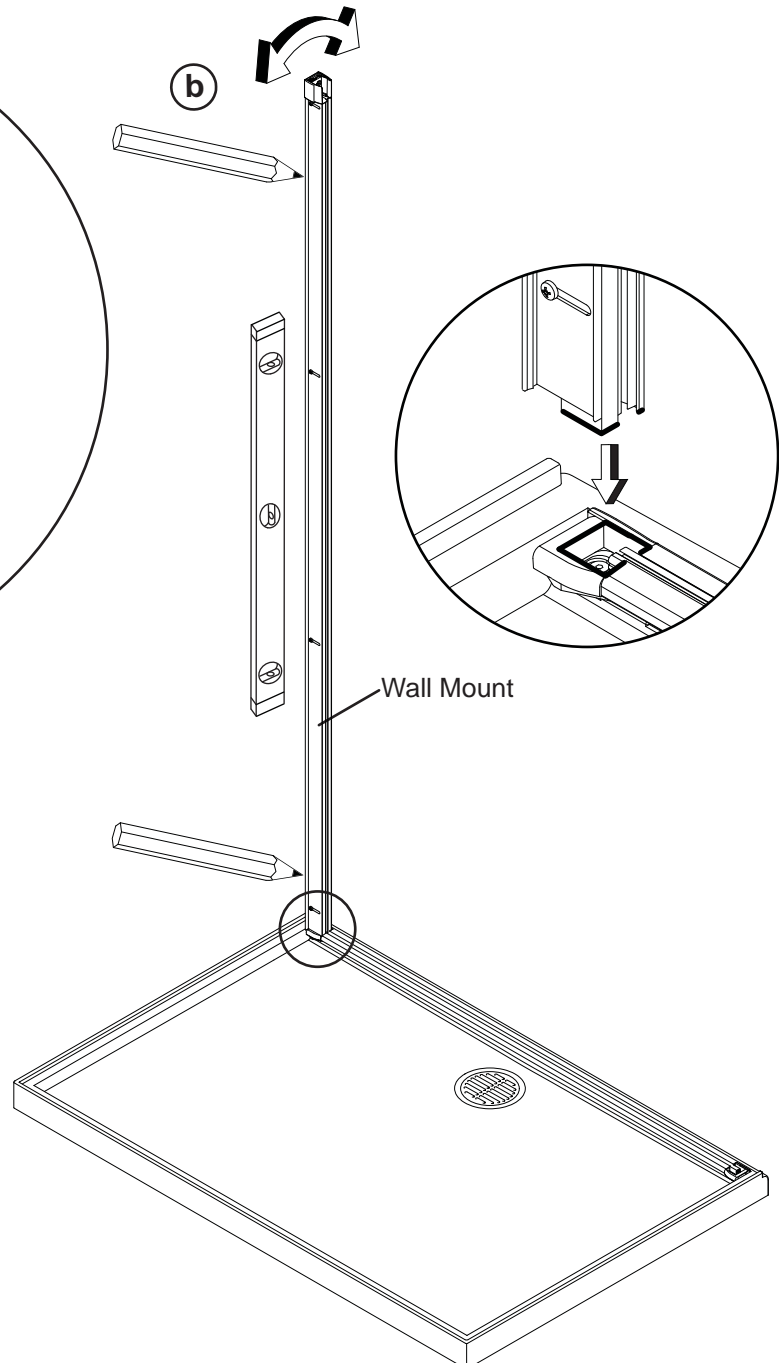
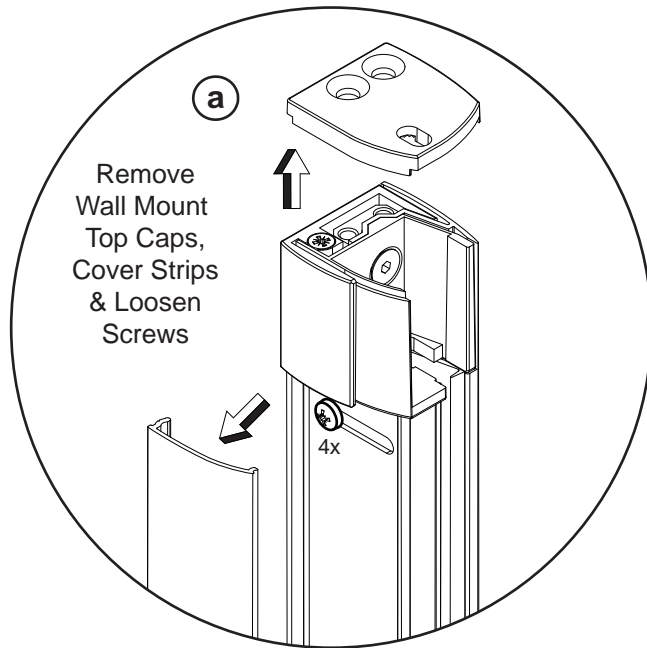
LH OPENING



RH OPENING

STAGE 1

NOTE*
FOR THIS PRODUCT TO WORK CORRECTLY IT IS IMPORTANT THAT THE TRAY IS LEVEL AND THAT THE WALL MOUNTS ARE PLUMBED CORRECTLY.

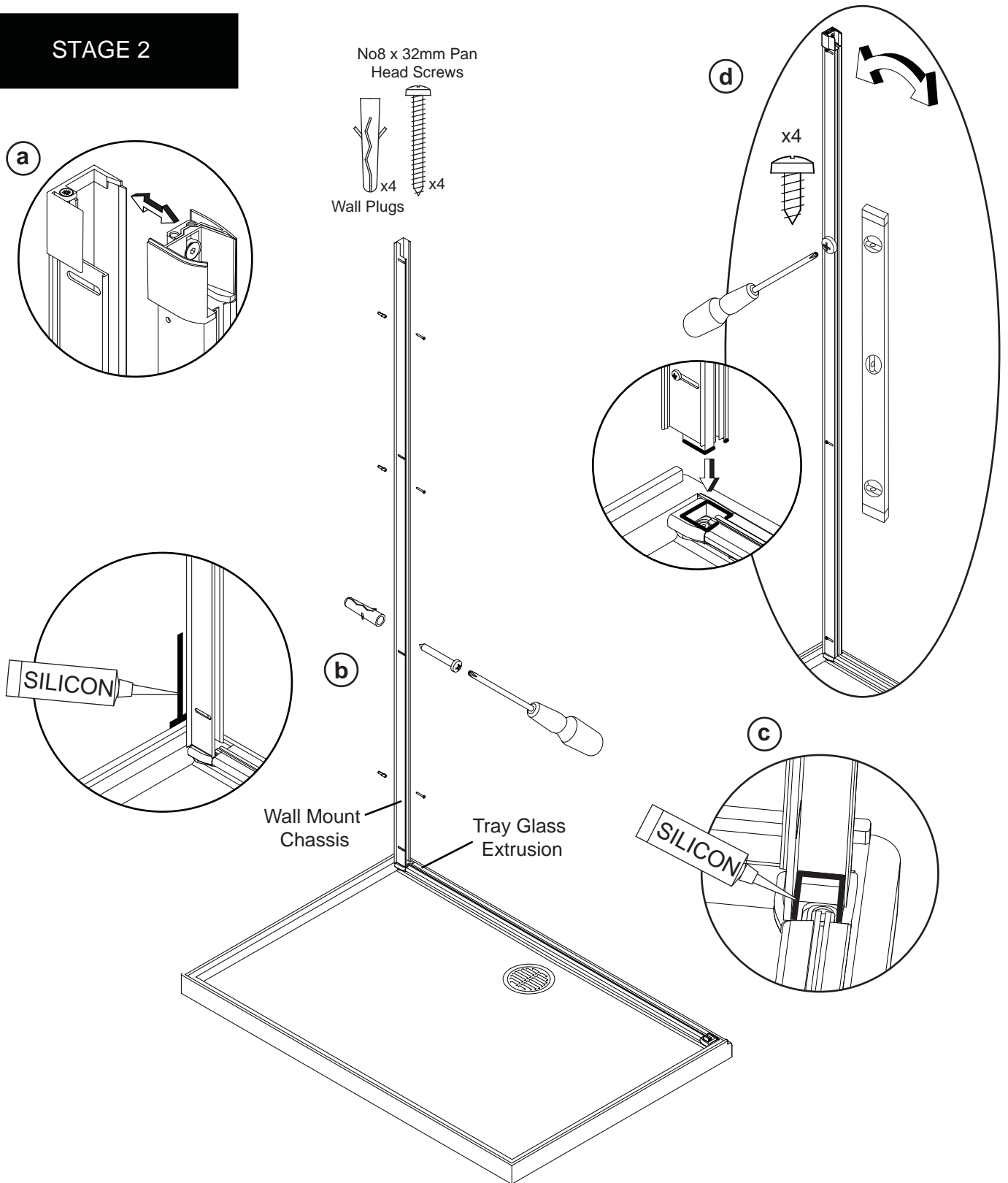


This stage describes the Wall Mount installation.

a. Remove the M5 x 20mm Csk screws, Top Caps and the 2x long wall mount cover strips from each Wall Mount assembly. **Loosen** the 4x adjustment, No8 x 9.5mm pan head screws along the length.

b. With the 4 screw heads facing inside the tray, position each wall mount in the corner of the tray sitting in the pre-fitted tray bracket. Plumb for upright and mark with a pencil.

STAGE 2

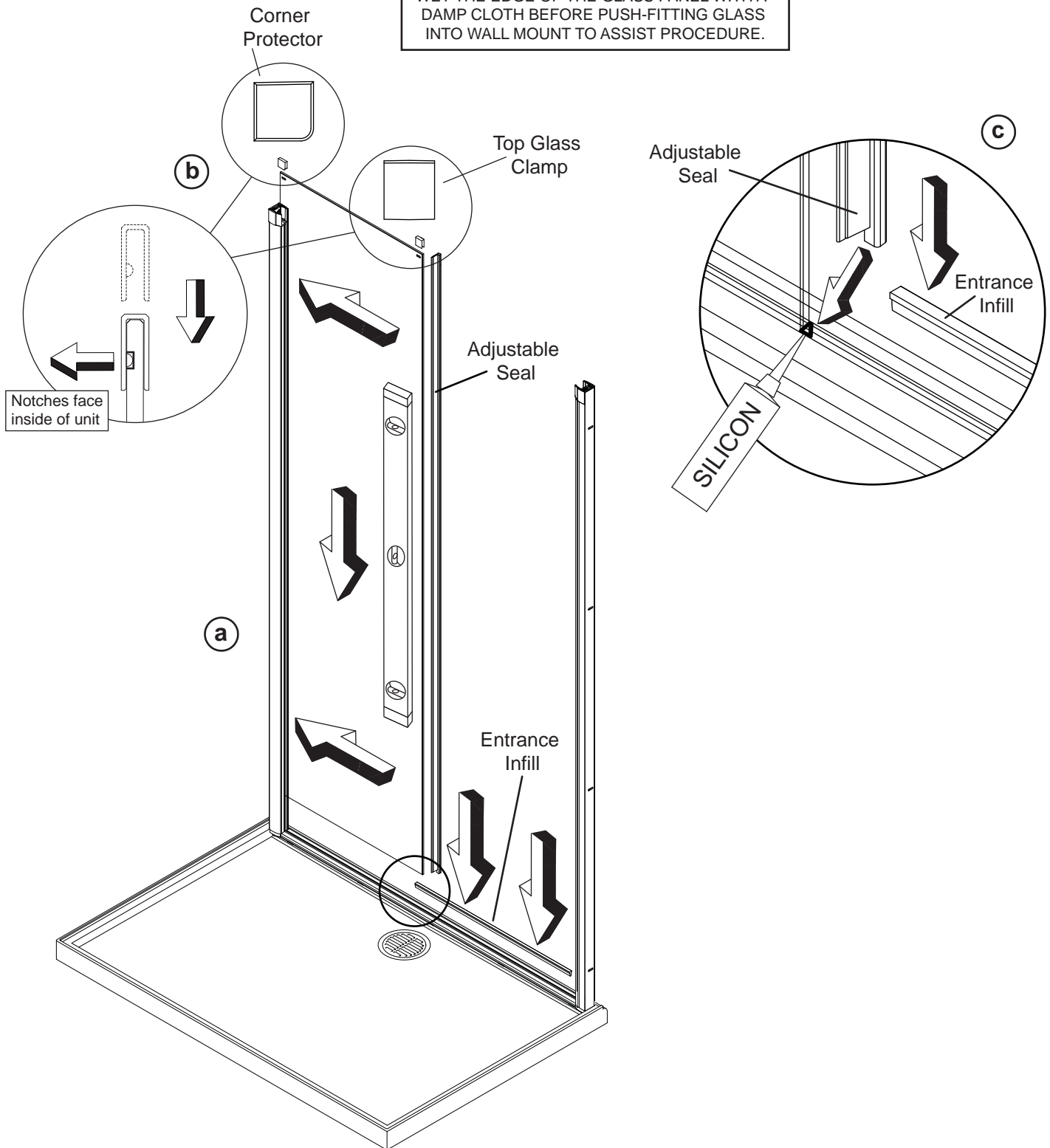


This stage describes the Wall Mount installation.

- a.** Lift out the wall mounts and separate the sections by removing the 4x No8 x 9.5mm pan head screws completely. Offer the wall mount chassis to the pencil mark, drill 4 holes central to the fixing slot on the back face of the wall mount chassis using a suitable 6mm drill bit - place the wall plugs in these holes and clean area.
- b.** Apply silicon sealant to the area behind the wall mount chassis between the tray and the tiles and 100mm up the wall central to the width of the wall mount chassis and fasten using the No8 x 32mm pan head screws provided.
- c.** Apply a bead of silicon sealant to the inside joint between the wall mount chassis and tray brackets up to the joint where the tray bracket meets the tray glass extrusion
- d.** Replace the inner wall mount section to the wall mount chassis (a), plumb for upright (d) and fasten with the 4x No8 x 9.5mm pan head screws.

STAGE 3

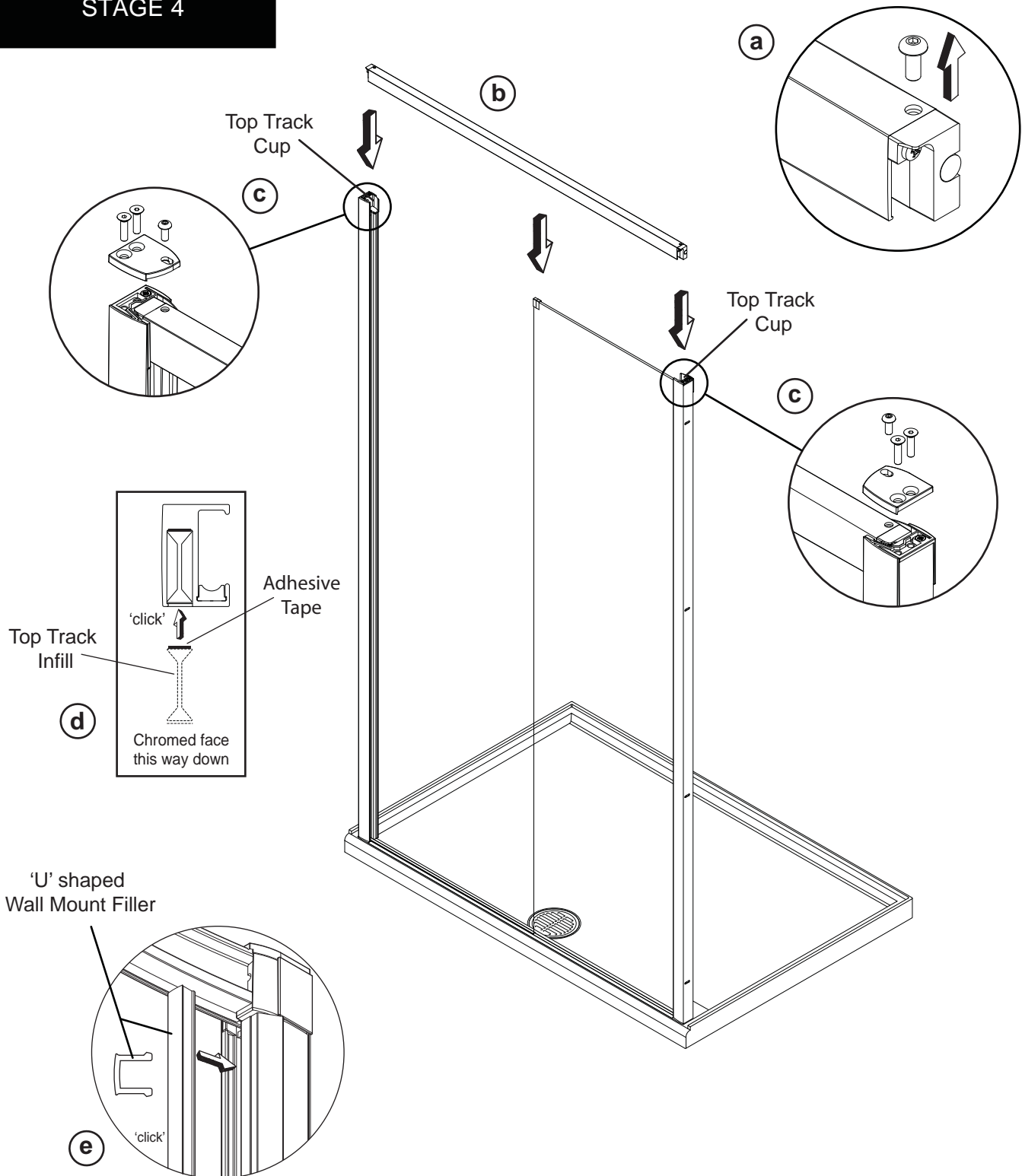
FITTING TIP*
WET THE EDGE OF THE GLASS PANEL WITH A DAMP CLOTH BEFORE PUSH-FITTING GLASS INTO WALL MOUNT TO ASSIST PROCEDURE.



This stage describes the Fixed Panel installation.

- Carefully offer the glass panel into the respective wall mount, gently slide panel down into glass groove in the tray and finally push the glass panel home into the wall mount evenly from top to bottom.
- Push fit the Top Glass Clamps (in kit of parts) onto the top edges and corners of the glass panel.
- Before fitting the vertical seal apply a small bead of silicon sealant on the end face of the glass panel down in the depth of tray groove. Fit the notched end of the seal down into the tray groove and onto the edge of the glass panel - the inside leg of the vertical seal should meet the tray. Fit the Entrance Infill into the remaining glass groove in the tray - butted up to the vertical seal. The opposite end of the Infill will recess into the Wall Mount.

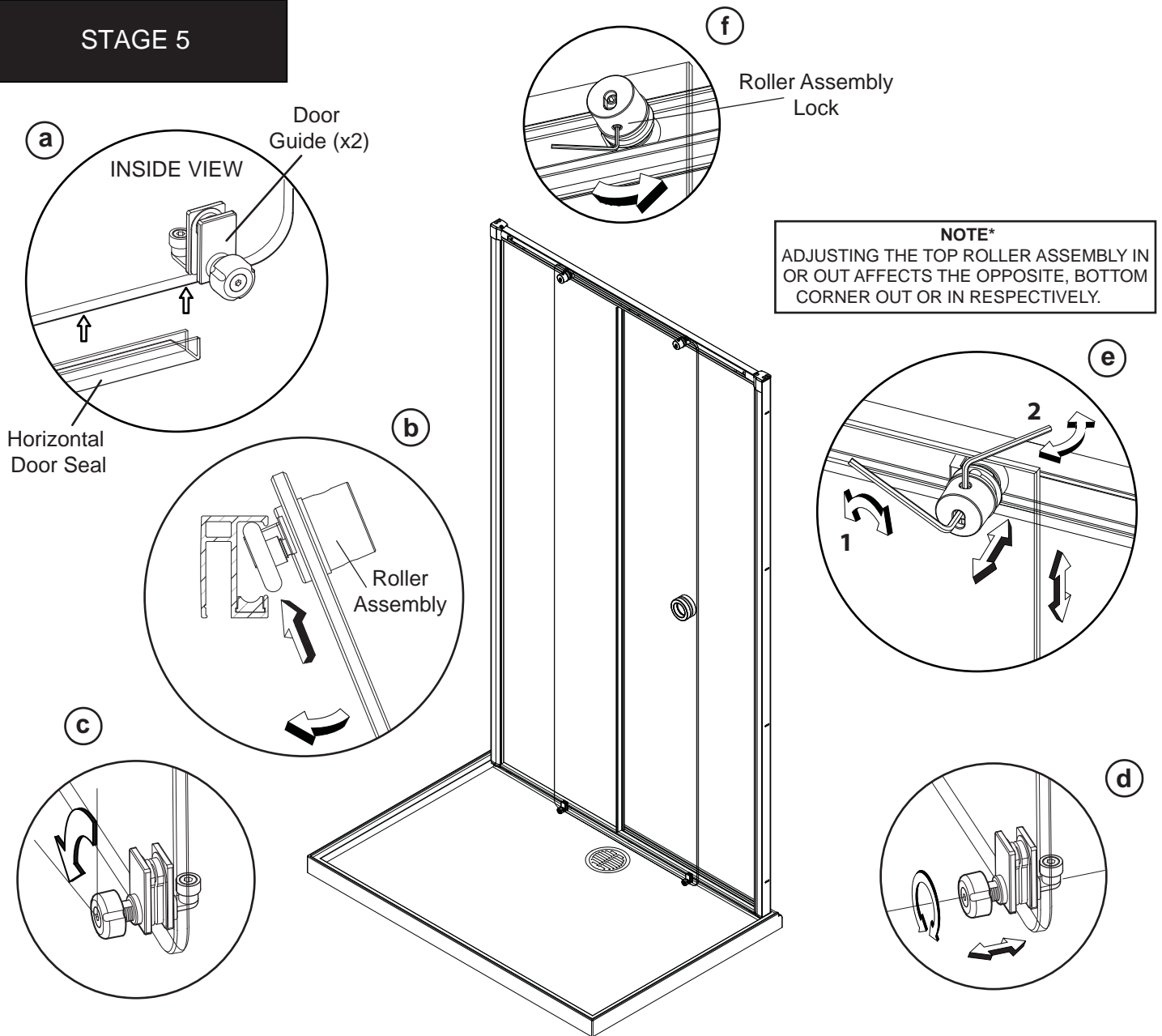
STAGE 4



This stage describes the fitting of the Top Track.

- Before fitting the Top Track remove 2x M5 x 10mm Domed screws from the ends of the top track. These will be replaced when securing the top track and wall mount top caps.
- Carefully lower the whole top track assembly onto the panel glass and into the Top Track Cups on both wall mounts. The Top Track will 'Click' into place over the black plastic glass protectors.
- Replace the top caps from Stage 1(a) onto wall mount with the M5 x 20 Countersunk Socket Head screws. Clamp the top track assembly and wall mounts together with the M5 x 10mm Domed screws.
- Remove paper backing from Adhesive Tape of the Top Track Infill and push-fit into the top track assembly between the panel glass wall mount (chromed face down).
- Push fit the 'U' shaped wall mount filler into the empty wall mount cavity.

STAGE 5



This stage describes Fitting and Adjusting the Door.

a. Before fitting the door fit the Horizontal Door Seal to the bottom edge of the door between the door guides. The soft fin on the horizontal seal is to face outwards.

b. Carefully lift the door glass into the enclosure and offer the roller assembly into the top track at an angle, then lower the bottom of door towards the tray.

c. Rotate the door guides 1/4 turn anticlockwise from the vertical position to fit under the tray guide rail and back to vertical to engage in the tray guide rail.

d. The door guides can be adjusted to change the distance between the door panel and fixed panel, dis-engage both guides from the tray guide rail to adjust. Rotate the guide anticlockwise to move the door closer to the fixed glass panels. Rotate clockwise to move the door away from the glass panels.

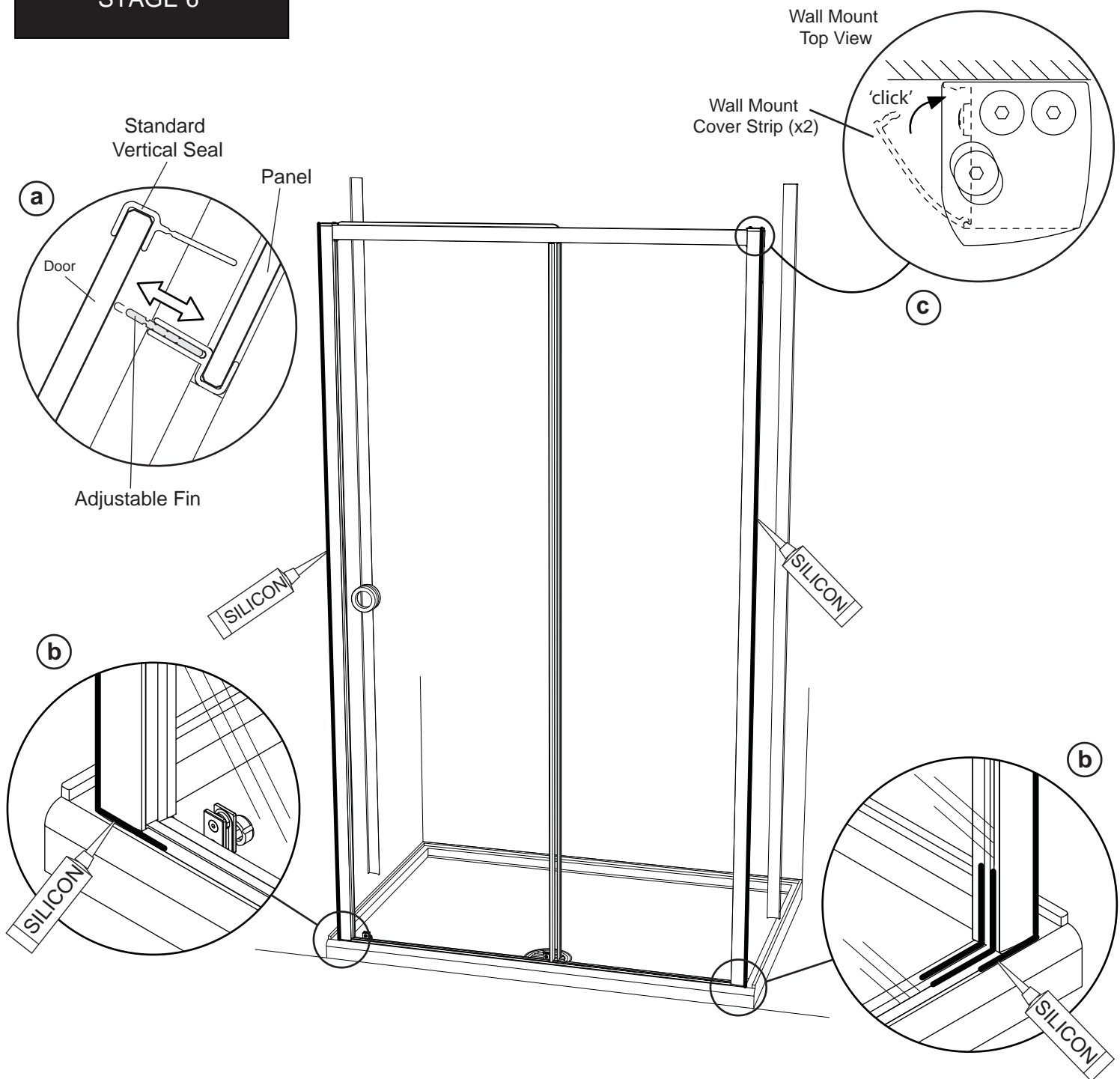
Test how the door slides along the track. The movement of the door will be arrested by either damper in the top track. Adjust the combination of the door guides and rollers to ensure a smooth running door (See Note* above & instructions below).

e. Adjust the door panel if required so that it runs parallel to the door opening by adjusting the roller blocks on the inside of the door. To adjust the door away from the top track rotate the central set screw **e1** clockwise using the 3mm allen key supplied. To adjust the door closer to the top track, rotate the central set screw **e1** anticlockwise.

The door glass can be raised or lowered by the adjustment screw **e2** in the top of the roller block using the 2.5mm allen key supplied. Rotate clockwise to lower the door, rotate anticlockwise to raise the door.

f. Lock off the roller block assembly with the set screw in the underside of the roller block using the 2.5mm allen key.

STAGE 6



This stage is describing adjusting the Fixed Panel Vertical seals.

a. Fit the Standard Vertical Seal to the back edge of Door - fit from the bottom of the door upwards ensuring the flexible seal minimally clears the top edge of the tray. The Fixed Panel Vertical Seals have an adjustable soft fin. The fin can be pulled out of the rigid carrier to accommodate variations in the clearance gap between the door and the fixed panels. Adjust the fin as close as possible to the door panel. When adjusted check that the door runs smoothly between open and closed positions.

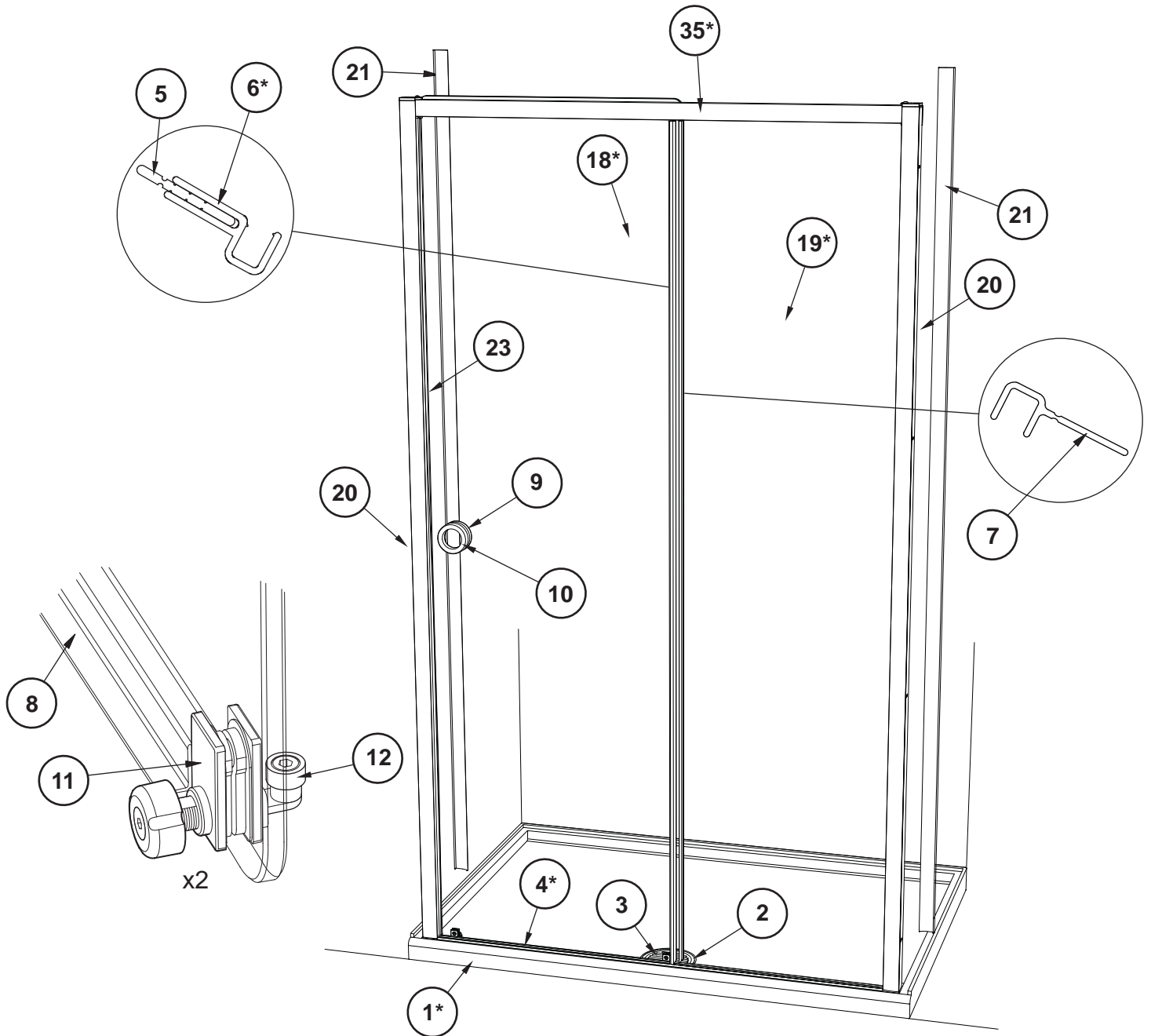
b. Apply a thin bead of silicon sealant along the joint between both the wall mount tray brackets where they meet the tray. Apply a thin bead of silicon sealant in the corners between the wall mount and fixed panel glass and the tray and fixed panel glass. Apply to both the inside and outside corners, there is a small recess in both the wall mount and tray feature on both sides of the glass panel to accommodate the sealant. Apply a thin bead of silicon sealant all the way up the outside of both the wall mount extrusions between the wall mounts and the tiles. Masking tape can be used to achieve a tidy edge to the sealant. Remove the masking tape immediately and allow the silicon to cure for 24 hours before using the shower.

c. Finally snap-fit the Wall Mount Cover Strips back onto the inside face of the Wall Mount.

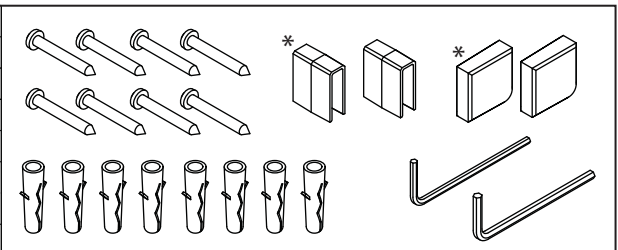
PARTS LIST

NEW RADIANCE STRAIGHT SLIDER NRXS 1280/1290/1480/1490

*PARTS VARY DEPENDING ON MODEL.

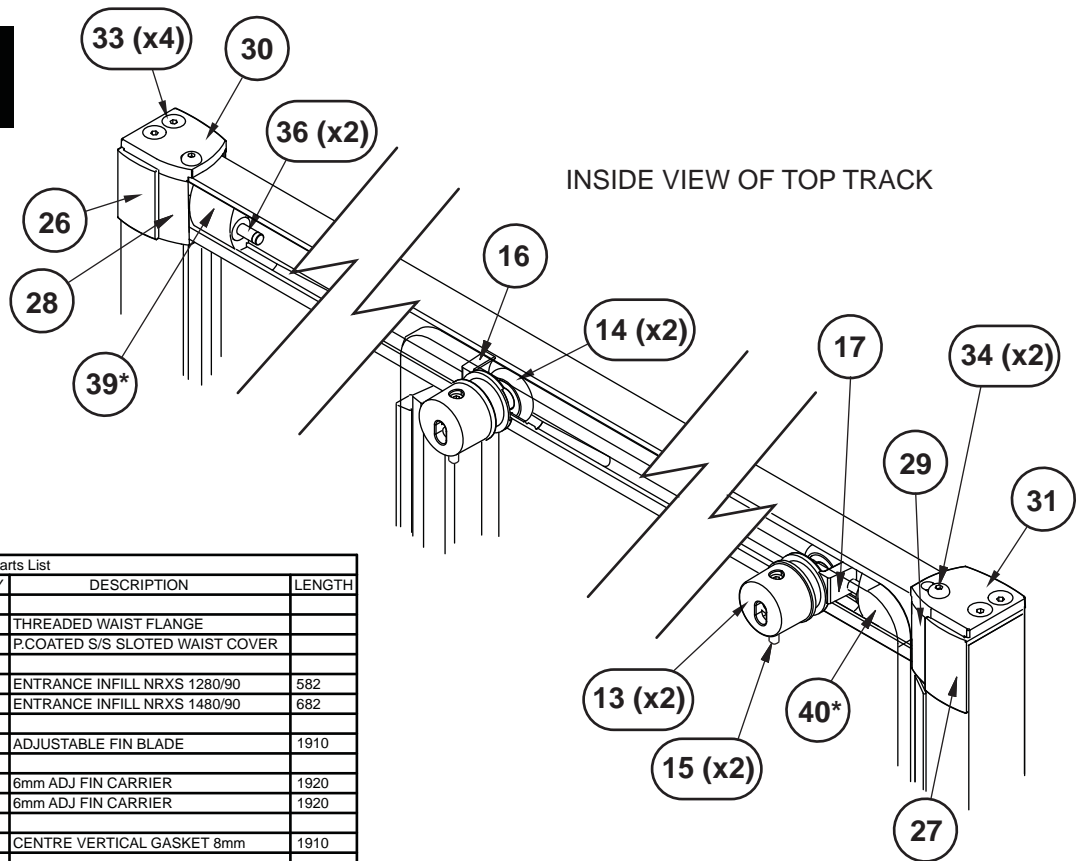


NRXS PARTS KIT - 6173 AF			
PART No.	QTY	DESCRIPTION	LENGTH
5906 BLACK	2	GLASS PROTECTOR	
5263 BLACK	2	TOP GLASS CLAMP PLASTIC	
1818 AF	8	WALL PLUG	
1471 A SILVER	8	Pan Self Tapping Screw	32mm
1167 AF	1	3mm ALLEN KEY	
1363 AF	1	3/32" ALLEN KEY	



* INDICATES SPARE PARTS

PARTS LIST



Parts List				
ITEM	PART No.	QTY	DESCRIPTION	LENGTH
1	NRXS 1280/1290 & 1480/1490 TRAY	1		
2	5953 A SILVER	1	THREADED WAIST FLANGE	
3	7490 C WHITE	1	P.COATED S/S SLOTTED WAIST COVER	
4*	7537 A SILVER	1	ENTRANCE INFILL NRXS 1280/90	582
	7538 A SILVER	1	ENTRANCE INFILL NRXS 1480/90	682
5	2320 CLEAR	1	ADJUSTABLE FIN BLADE	1910
6*	2321 CLEAR LH	1	6mm ADJ FIN CARRIER	1920
	2321 CLEAR RH	1	6mm ADJ FIN CARRIER	1920
7	6076 CLEAR	1	CENTRE VERTICAL GASKET 8mm	1910
8*	6077 CLEAR	1	(125) 1200 HORIZONTAL GASKET	500
	6078 CLEAR	1	(125) 1400 HORIZONTAL GASKET	600
9	5235 A SILVER	1	ROUND HANDLE MALE	
10	5234 A SILVER	1	ROUND HANDLE FEMALE	
11	DOOR GUIDE	2	SUB ASSEMBLY PART	
12	5905 AF	2	PTFE GUIDE ARM BARREL	
13	5303 A SILVER	2	DOOR GLASS ADJUSTER BACK PLATE	
14	1860 AF	2	ROLLER BEARING	
15	5279 AF	2	BEARING LOCK	
16	5960 A SILVER	1	125 RH ROLLER FACE	
17	5959 A SILVER	1	125 LH ROLLER FACE	
18*	8057 M CLEAR/PLAIN	1	NRXS 1200 LH DOOR GLASS	
	8061 M CLEAR/PLAIN	1	NRXS 1200 RH DOOR GLASS	
	8058 M CLEAR/PLAIN	1	NRXS 1400 LH DOOR GLASS	
	8062 M CLEAR/PLAIN	1	NRXS 1400 RH DOOR GLASS	
19*	8055 M CLEAR/PLAIN	1	NRXS 1200 FIXED PANEL	
	8056 M CLEAR/PLAIN	1	NRXS 1400 FIXED PANEL	
20*	5755 A SILVER	1	RH WM CHASSIS	
	5758 A SILVER	1	LH WM CHASSIS	
21	5797 A SILVER	2	WALL MOUNT COVER	
22	2309 AF	1	SEAL GRASP	
23	2311 A SILVER	1	WALL MOUNT FILLER	
24	5304 AF	2	COLUMN FASTENING BLOCK	
25	1350 A SILVER	2	NO6 x 16mm CSK SELF TAPING SCREW	16
26	5295 A SILVER	1	RH COLUMN CAP (WALL MOUNT)	
27	5296 A SILVER	1	LH COLUMN CAP (WALL MOUNT)	
28	5909 A SILVER	1	WM CLOSURE TOP CUP	
29	5910 A SILVER	1	WM CLOSURE TOP CUP	
30	5338 A SILVER	1	TOP SECURING CAP RH	
31	5336 A SILVER	1	TOP SECURING CAP LH	
32	2310 CLEAR	1	CLOSURE DOOR BAFFLE	
33	1503 A SILVER	4	CSK SKT SCREW	20
34	1247 A SILVER	2	M5 x 10 SKT BUTTON HEAD HEX	10
35*	7530 A SILVER	1	NRXS TOP TRACK 1200	1086
	7536 A SILVER	1	NRXS TOP TRACK 1400	1286
36	1339 AF	2	WHITE DAMPER	
37	5904 AF	2	DAMPER END STOP	
38*	7550 BLACK	2	1200 TOP TRACK GUIDE RAIL	
	7551 BLACK	2	1400 TOP TRACK GUIDE RAIL	
39*	7554 A SILVER	1	LH DAMPER HOUSING	
	7555 A SILVER	1	RH DAMPER HOUSING	
40*	7553 A SILVER	1	LH UNIT RECESS DAMPER HOUSING	
	7552 A SILVER	1	RH UNIT RECESS DAMPER HOUSING	
41*	2333 AF	1	NRXS 1200 TOP TRACK INFILL	
	2334 AF	1	NRXS 1400 TOP TRACK INFILL	

MAINTENANCE

Matki Glass Guard Easy Clean Surface Protection and General Cleaning Guide

Cleaning Instructions

Matki Glass Guard allows water to form minute beads which easily trickle off the surface of the glass. This makes the glass easier to clean - the glass does not need to be cleaned as frequently, but it does require occasional maintenance. As less cleaning is required the use of detergents can be minimised thus helping to protect the environment. The lifespan of the Matki Glass Guard is dependant on the frequency of use of the shower and the degree of water hardness.

The combination of alkaline materials and humidity affects glass in an extremely aggressive way. Do not use bleach, alkaline, acid-based or aggressive and abrasive glass cleaners, detergents or household cleaning products on the glass or frames.

We recommend that glass is washed down with clean water and a soft clean cloth or sponge and dried off with a microfibre cloth.

The special coating is only present on the inside of the glass.

Matki Glass Guard is guaranteed for 2 years provided that the guidelines and cleaning instructions are followed.

Aluminium and Chrome parts should be cleaned with a mild non scratch household cleaner and a soft cloth or sponge.

Do not use acidic-based de-scaler products or products which are unsuitable for cleaning enamelled surfaces, including abrasive cleaners or cleaners containing bleach or solvents, as the products will effect the anodised framework. Under no circumstances use cleaners with a pH level exceeding 8.

Matki does not recommend the use of 'Leave-on' shower cleaners on Matki Glass Guard Products.

Water Softeners and Glass Guard - Certain types of water softeners increase the alkalinity of the water due to a carry-over of Chloride during re-generation which can cause aggressive water spots on both untreated and Glass Guarded glass. If using a water softener we recommend a two-cylinder machine with automatic re-generation instead of a timer.

If a single-cylinder water softener with timer is already installed it is recommended that after each shower excess water is removed from the glass with a squeegee or with a micro-fibre cloth.



Wash down with clean warm water and a soft clean cloth or sponge.



Do not use bleach, alkaline or acid-based, aggressive or abrasive cleaning products.

Flash Bathroom Spray or Cif Bathroom Spray can be used on Matki Products.

Various specialist cleaning and glass dressing products are available from Ritec International Ltd Tel. 020 8344 8210 or www.ritec.co.uk.

Matki Plc is not connected with Ritec International Ltd in any way and the contact details are supplied for information only. Read manufacturers label before using any cleaning materials.

IMPORTANT

Matki Glass Guard is guaranteed for 2 years. It is essential that the cleaning instructions are followed in order to maintain the hydrophobic properties of the glass coating. In the event of the failure to comply in any way with these instructions, any warranty or guarantee will be null and void.

MATKI PLC, CHURCHWARD ROAD, YATE, BRISTOL, BS37 5PL
TELEPHONE:01454 328816 (AFTER SALES) FAX:01454 328821 EMAIL: techsupport@matki.co.uk