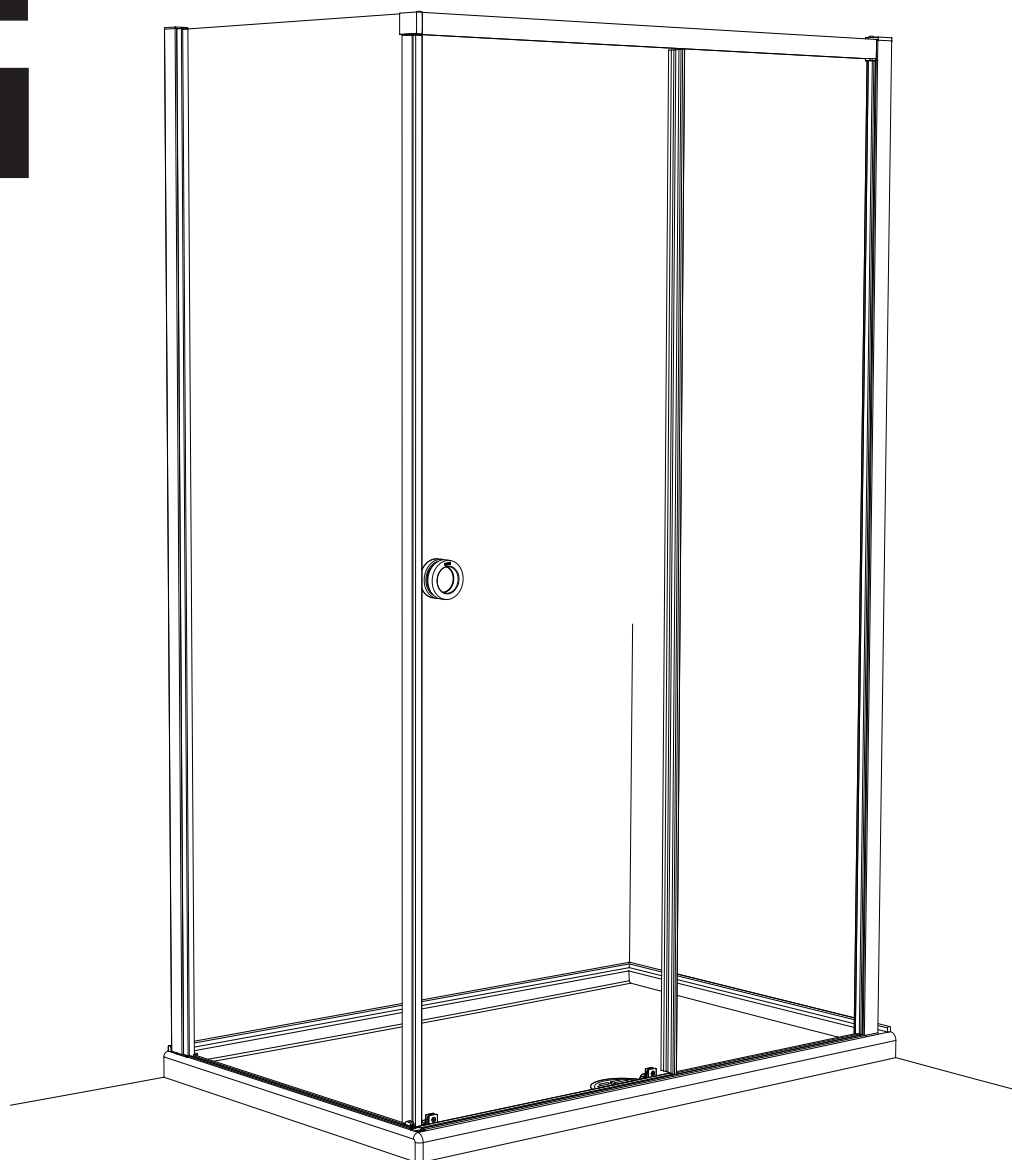


matki | S H O W E R I N G

NEW RADIANCE STRAIGHT SLIDER NRXSC 1280/1290/1480/1490 - CORNER

INSTALLATION

PARTS LIST

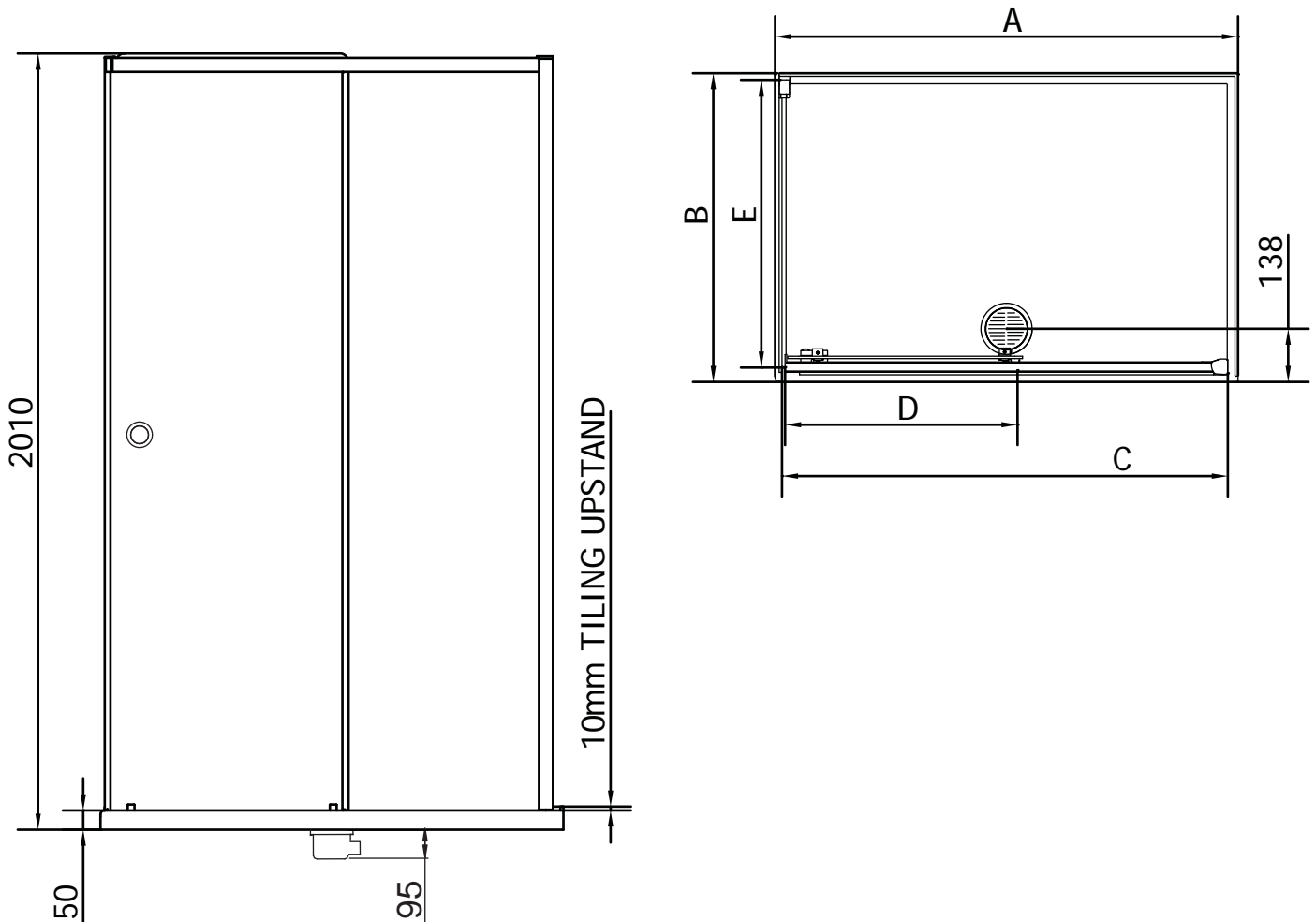


MATKI PLC, CHURCHWARD ROAD, YATE, BRISTOL, BS37 5PL
TELEPHONE:01454 328816 (AFTER SALES) FAX:01454 328821 EMAIL:techsupport@matki.co.uk

DIMENSIONS

Dimensions are approximate due to nature of materials used

MODEL	A	B	C	D	E
NRXSC 1280	1200	800	1155-1175	500	735-755
NRXSC 1290	1200	900	1155-1175	500	835-855
NRXSC 1480	1400	800	1355-1375	600	735-755
NRXSC 1490	1400	900	1355-1375	600	835-855



IMPORTANT

Before disposing of carton and/or commencing assembly, please check all the parts to ascertain that none are missing and they are all undamaged. No claim for missing/damaged parts will be accepted once the packing carton has been disposed of and/or assembly has commenced.

In case of query contact your Stockist with details of model number and details of serial number.

Due to the weight of the surround we recommend that two people are available for assembly of Side Panel.

PREPARATION

Please read complete installation instructions before fitting.

Ensure top of tray is level, tray should be let into wall with tiling lip face flush with the wall to allow tiling to overlap tiling lip. **The assembly should be installed onto waterproof wall covering and installed after the Tray and wall coverings are in place.**

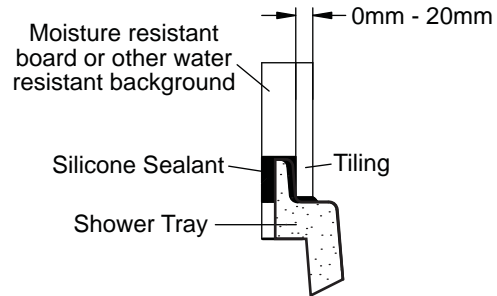
Carefully remove assembly from carton, do not place glass on hard floor or expose edges to impact.

Ensure top of tray is level. Seal between tray and tiles. Remove any excess sealant from the area/joint between the tray and tiles where the Wall Mount will be fitted this will ensure the Wall Mount fits correctly to the wall and tray.

CAUTION: TEMPERED GLASS CANNOT BE CUT, POLISHED METAL AND CHROME CAN BE SCRATCHED.

6mm Tile Masonry Drill Bit, Screw Drivers, Safety Glasses, Electric Drill, Spirit Level, Pencil.

TYPICAL INSTALLATION OF SHOWER TRAY



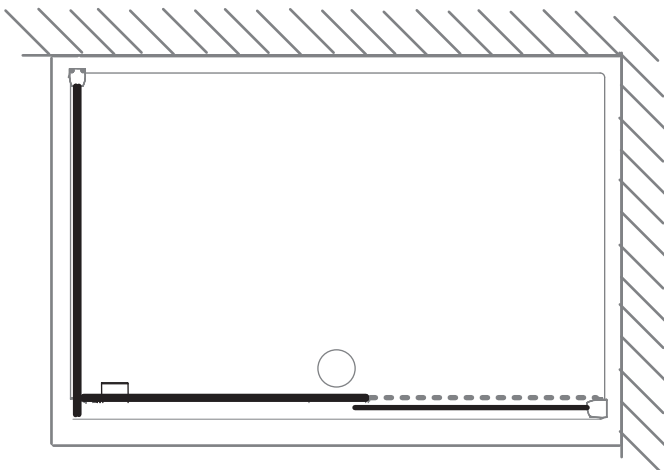
Alternatively bottom of wall may be cut back to allow tiling lip to be flush with wall.

Ensure top of shower tray is level

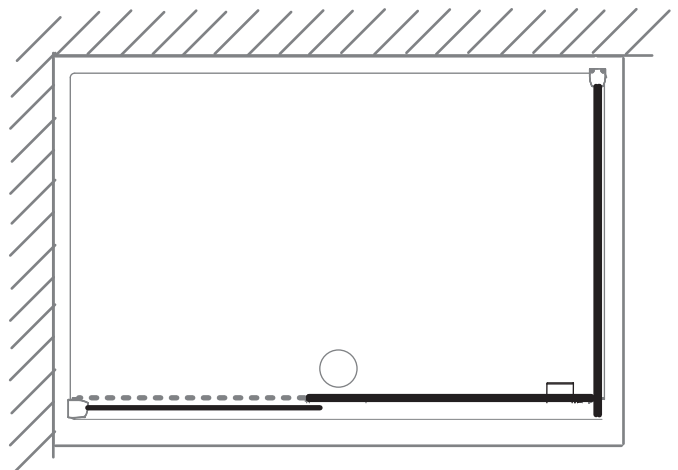
LH/RH NRXS

MODEL: NRXSC 1280/1290/1480/1490

NOTE* LH/RH is factory assembled



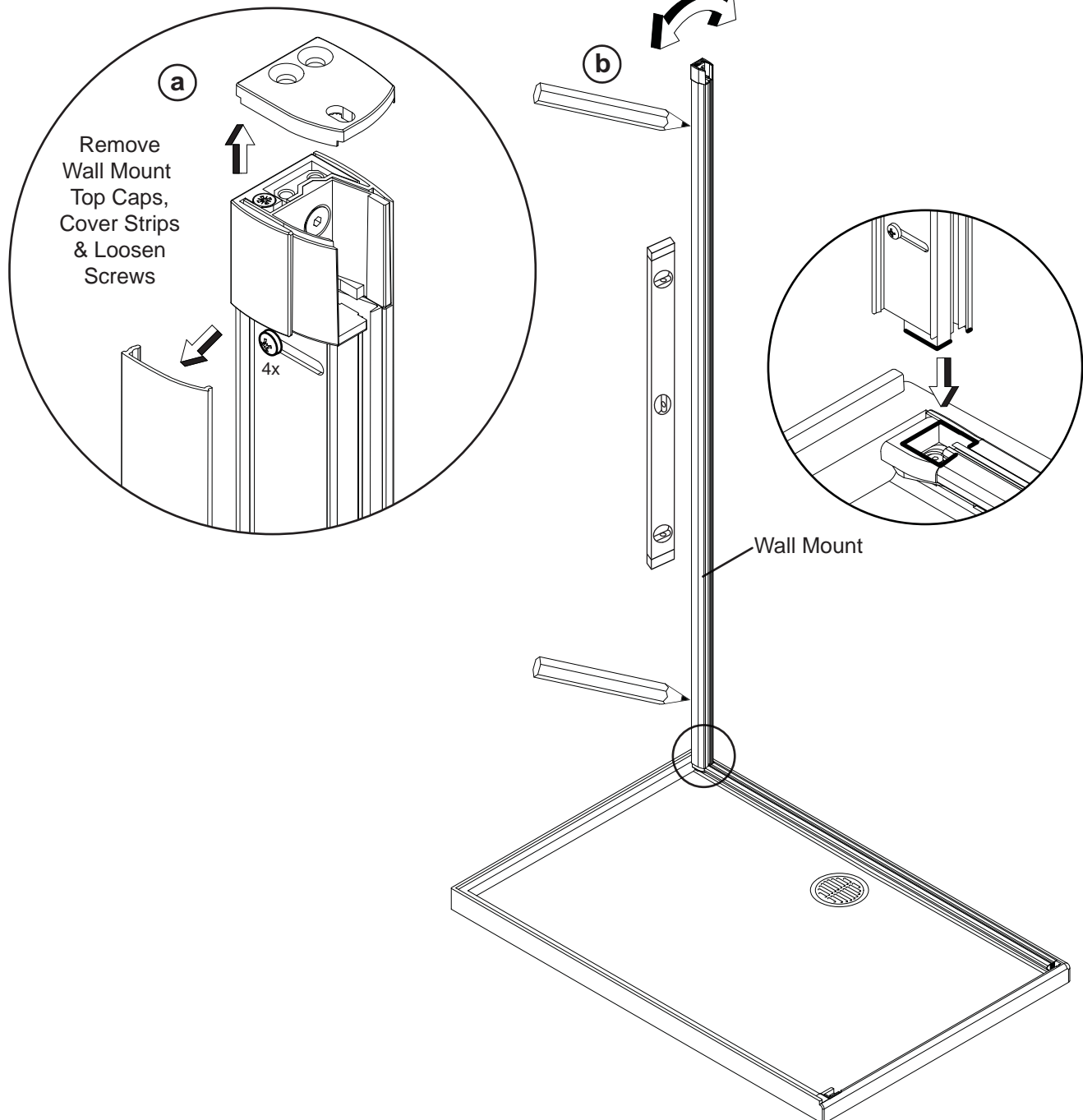
RH CORNER



LH CORNER

STAGE 1

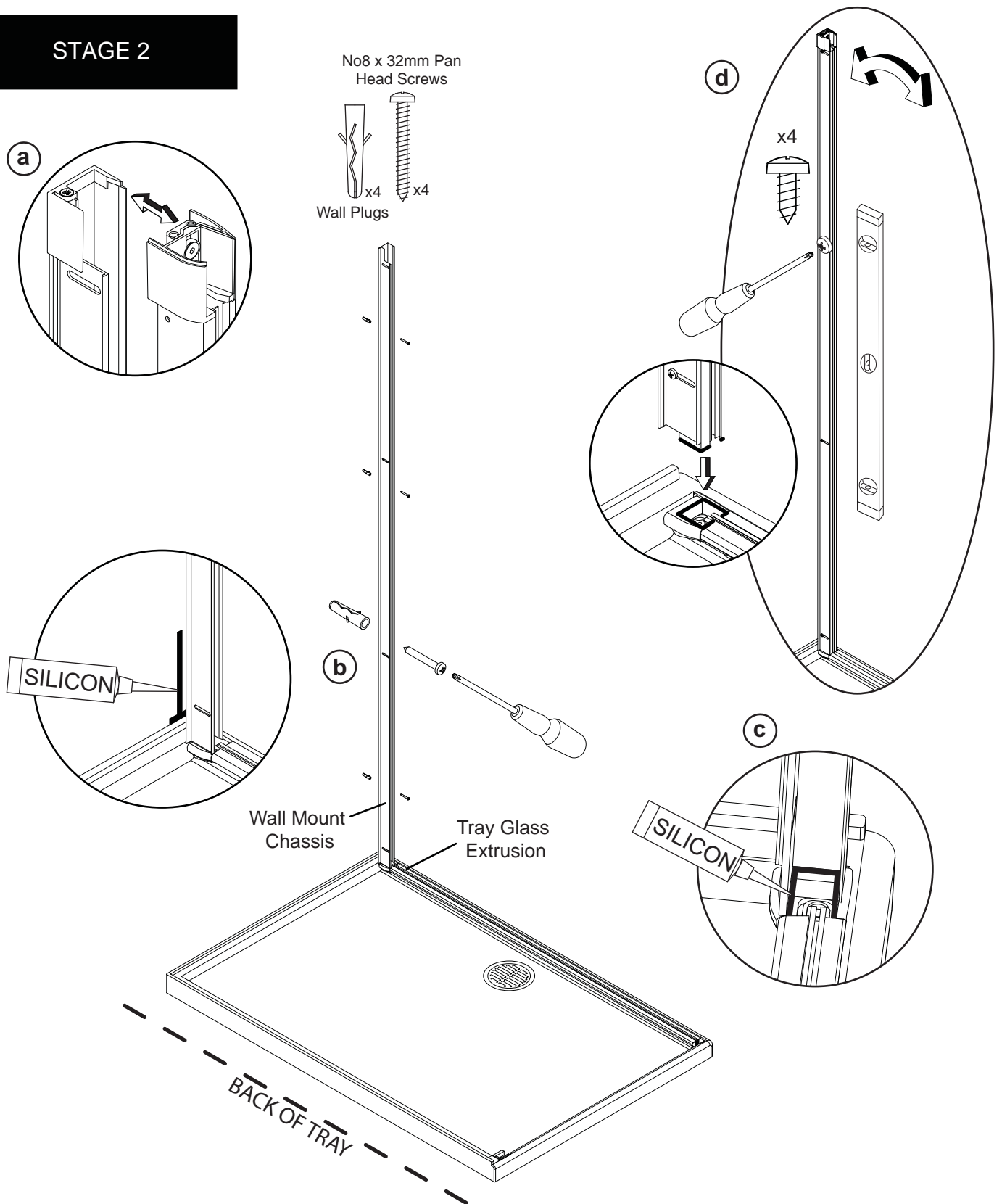
NOTE*
FOR THIS PRODUCT TO WORK CORRECTLY IT IS IMPORTANT THAT THE TRAY IS LEVEL AND THAT THE WALL MOUNTS ARE PLUMBED CORRECTLY.



This stage describes the Wall Mount installation for the Fixed Panel.

- a.** Remove the M5 x 20mm Countersunk Socket Head screws, Top Cap and the long wall mount cover strip from the Fixed Panel Wall Mount assembly. **Loosen** the 4x adjustment, No8 x 9.5mm pan head screws along the length.
- b.** With the 4 screw heads facing inside the tray, position each wall mount in the corner of the tray sitting in the pre-fitted tray bracket. Plumb for upright and mark with a pencil.

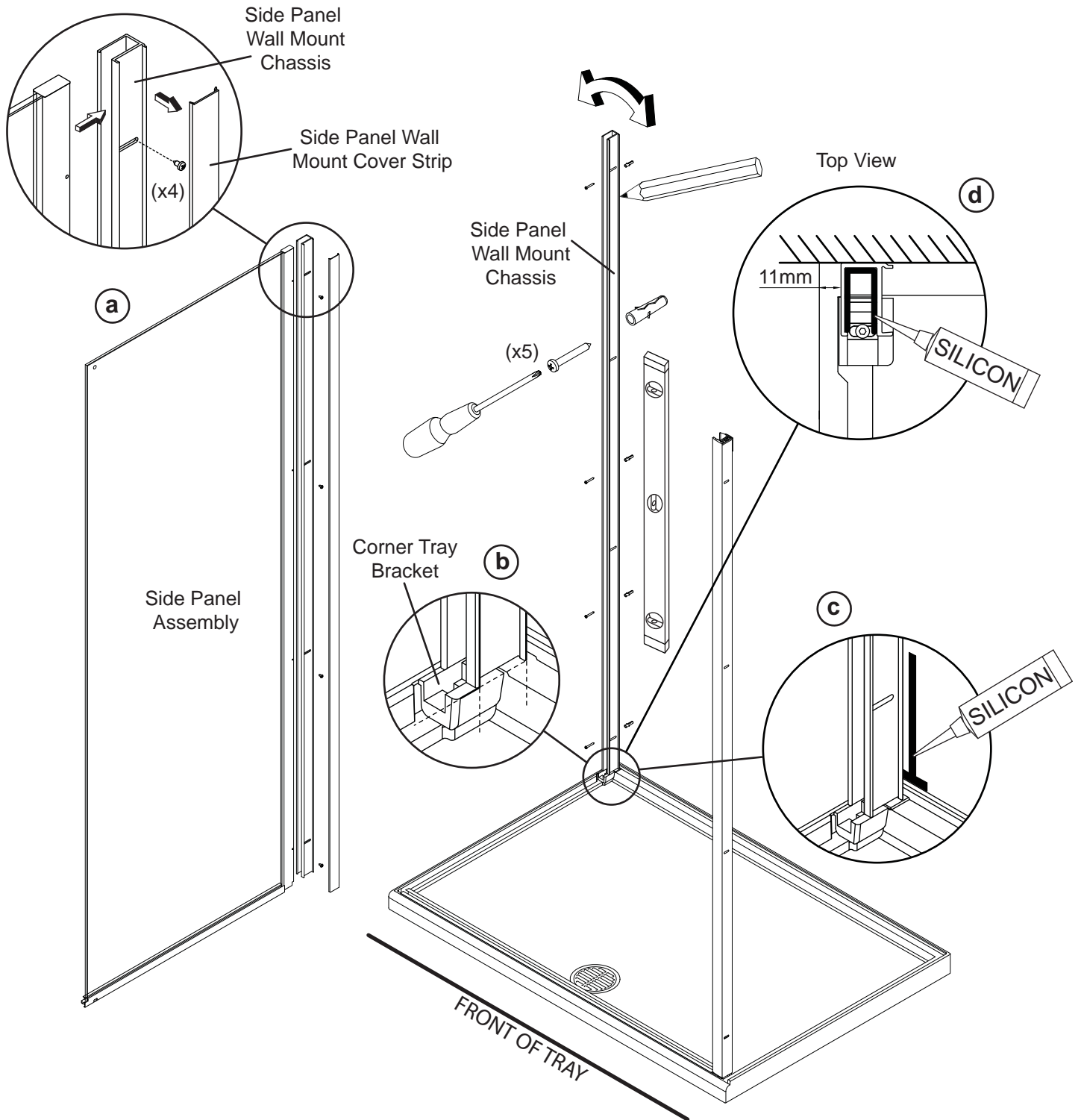
STAGE 2



This stage describes the Wall Mount installation for the Fixed Panel.

- a.** Lift out the wall mount and separate the sections by removing the 4x No8 x 9.5mm pan head screws completely. Offer the wall mount chassis to the pencil mark, drill 4 holes central to the fixing slot on the back face of the wall mount chassis using a suitable 6mm drill bit - place the wall plugs in these holes and clean area.
- b.** Apply silicon sealant to the area behind the wall mount chassis between the tray and the tiles and 100mm up the wall central to the width of the wall mount chassis and fasten using the No8 x 32mm pan head screws provided.
- c.** Apply a bead of silicon sealant to the inside joint between the wall mount chassis and tray bracket up to the joint where the tray bracket meets the tray glass extrusion
- d.** Replace the inner wall mount section to the wall mount chassis (a), plumb for upright (d) and fasten with the 4x No8 x 9.5mm pan head screws.

STAGE 3



This stage describes the Wall Mount installation for the Side Panel.

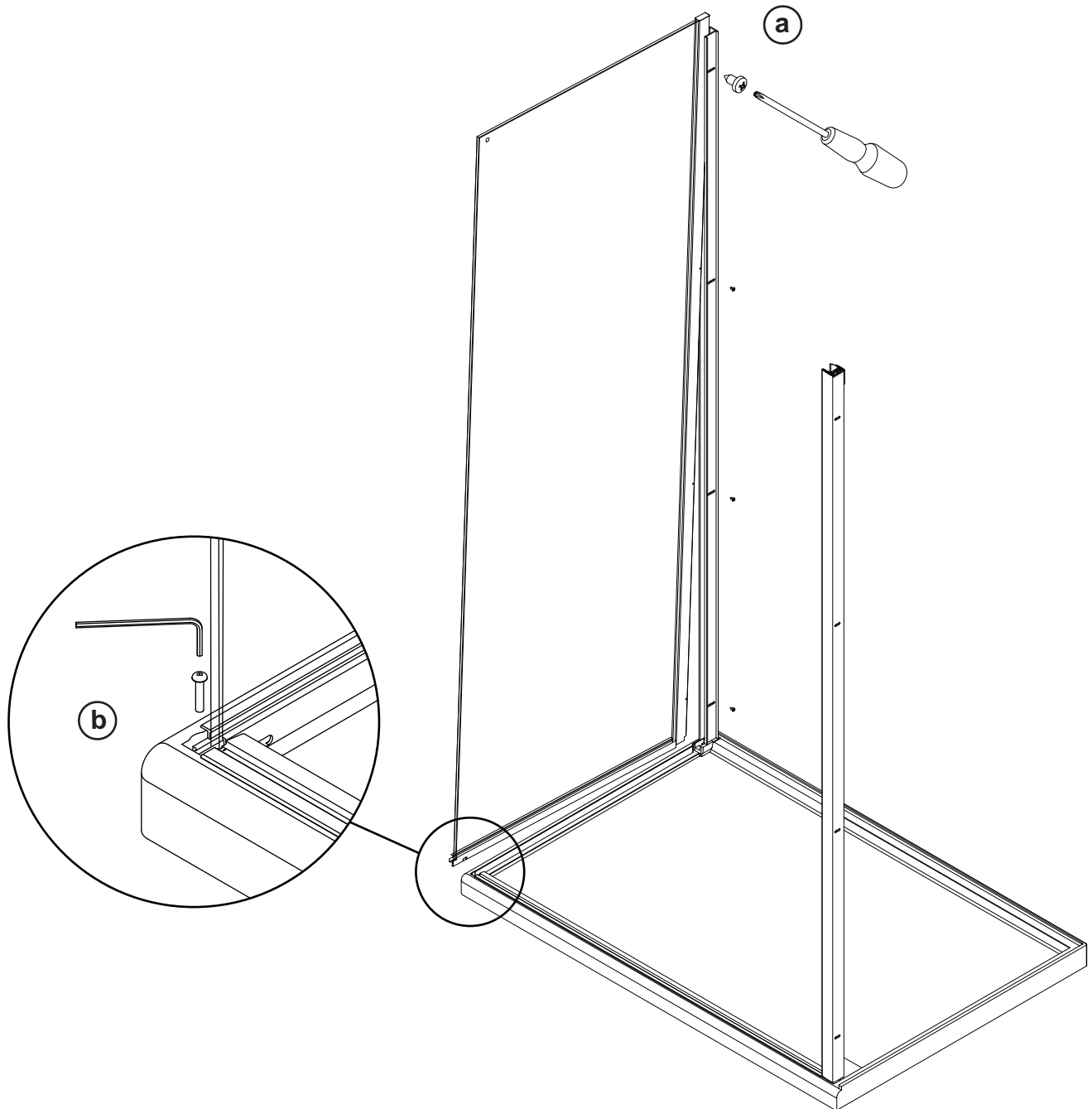
a. Disassemble the Side Panel Wall Mount Chassis enabling it to be fastened to the wall prior to fitting the Side Panel. Lift off the Side Panel Wall Mount Cover Strip and remove the 4x No8 x 9.5mm pan head screws completely.

b. Line up the Side Panel Wall Mount Chassis to the pre-assembled Corner Tray Bracket – this should be approx 11mm from the outside edge of the tray to the outside edge of the Wall Mount Chassis. Plumb for upright and mark with a pencil. Offer the wall mount chassis to the pencil mark, drill 5 holes central to the fixing slot on the back face of the wall mount chassis using a suitable 6mm drill bit - place the wall plugs in these holes.

c. Apply silicon sealant to the area behind the wall mount chassis between the tray and the tiles and 100mm up the wall central to the width of the wall mount chassis and fasten using the No8 x 32mm pan head screws provided.

d. Apply a bead of silicon sealant to the inside joint between the wall mount chassis and tray bracket.

STAGE 4

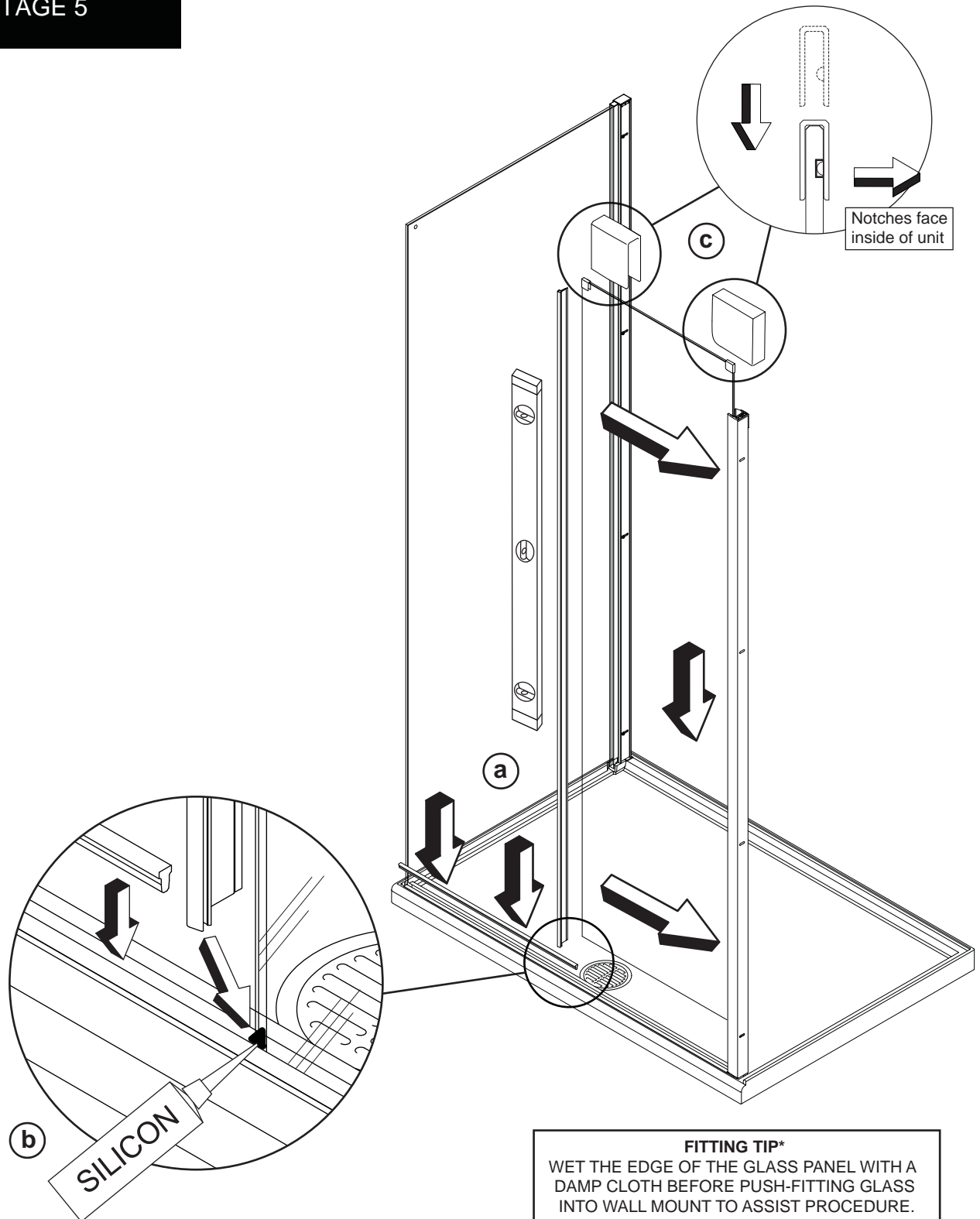


This stage describes the Side Panel installation.

a. Carefully line up the Side Panel to the fixed wall mount chassis, tray foot and internal wall of the tray - slot into place and fasten the 4x No8 x 9.5mm pan head screws removed from Stage 3.

b. Screw the M4 x 20 Hexagon Socket Button Head Screw from the Side Panel Kit of Parts through the location slot of the white, side panel extrusion - and into the shower tray fitting, locking side panel in place.

STAGE 5



This stage describes the Fixed Panel installation.

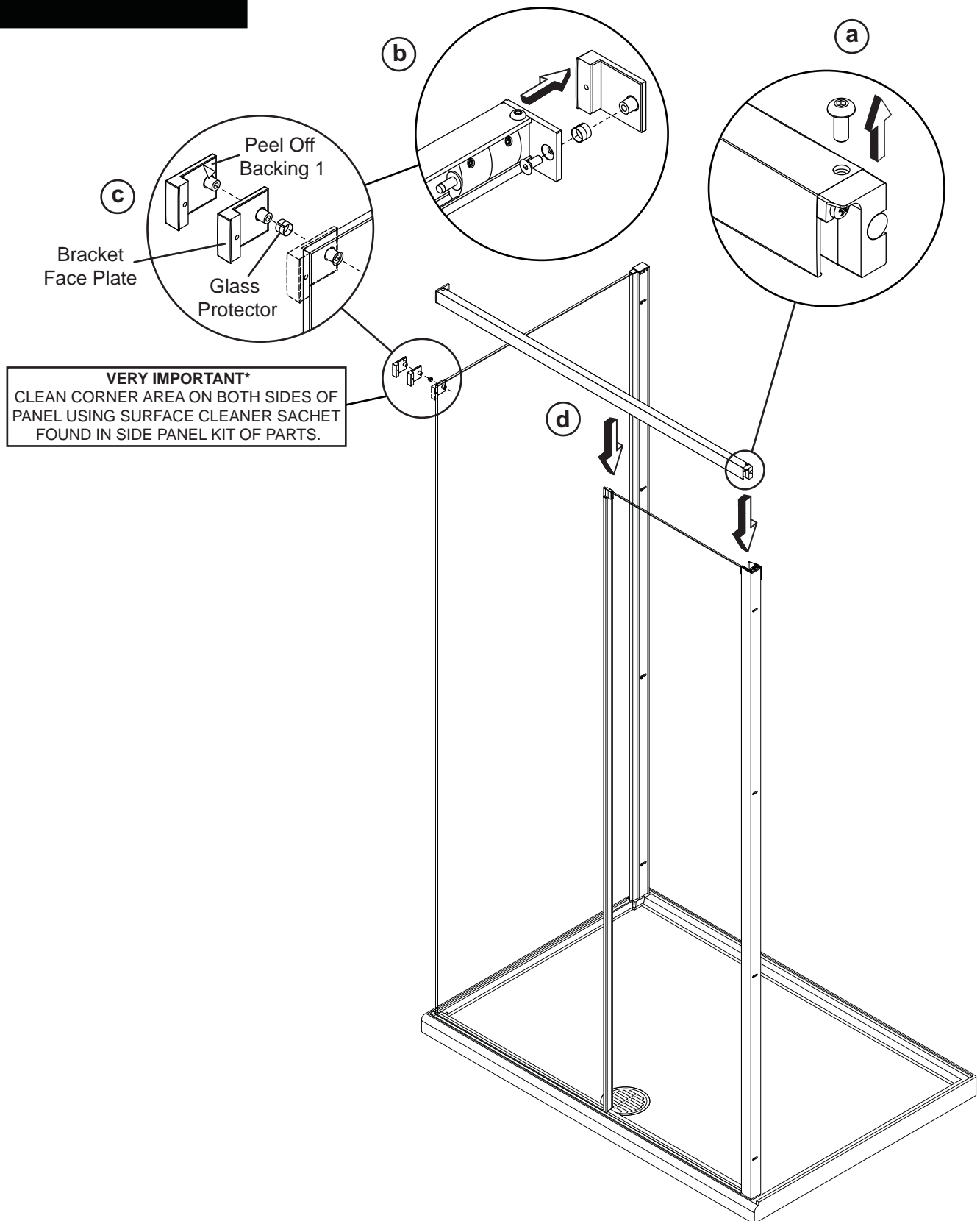
a. As a guide, temporarily fit the Entrance Infill to set the entrance width between the Side Panel & Fixed Panel, allow a 2mm gap between the entrance infill and fixed panel for fitting the vertical seals. Carefully offer the fixed panel into the respective wall mount, gently slide each panel down into glass groove in the tray and finally push the glass panel home into the wall mount evenly from top to bottom.

b. Before fitting the vertical seal apply a small bead of silicon sealant on the end face of the glass panel down in the depth of tray groove. Fit the notched end of the seal down into the tray groove and onto the edge of the glass panel - the inside leg of the vertical seal should meet the tray.

Finally fit the Entrance Infill into the threshold of the tray - butted up to the vertical seal. The opposite end of the infill should be flush with the end of the white tray track/glass groove.

c. Push fit the Top Glass Clamps (in kit of parts) onto the top edges and corners of the glass panel.

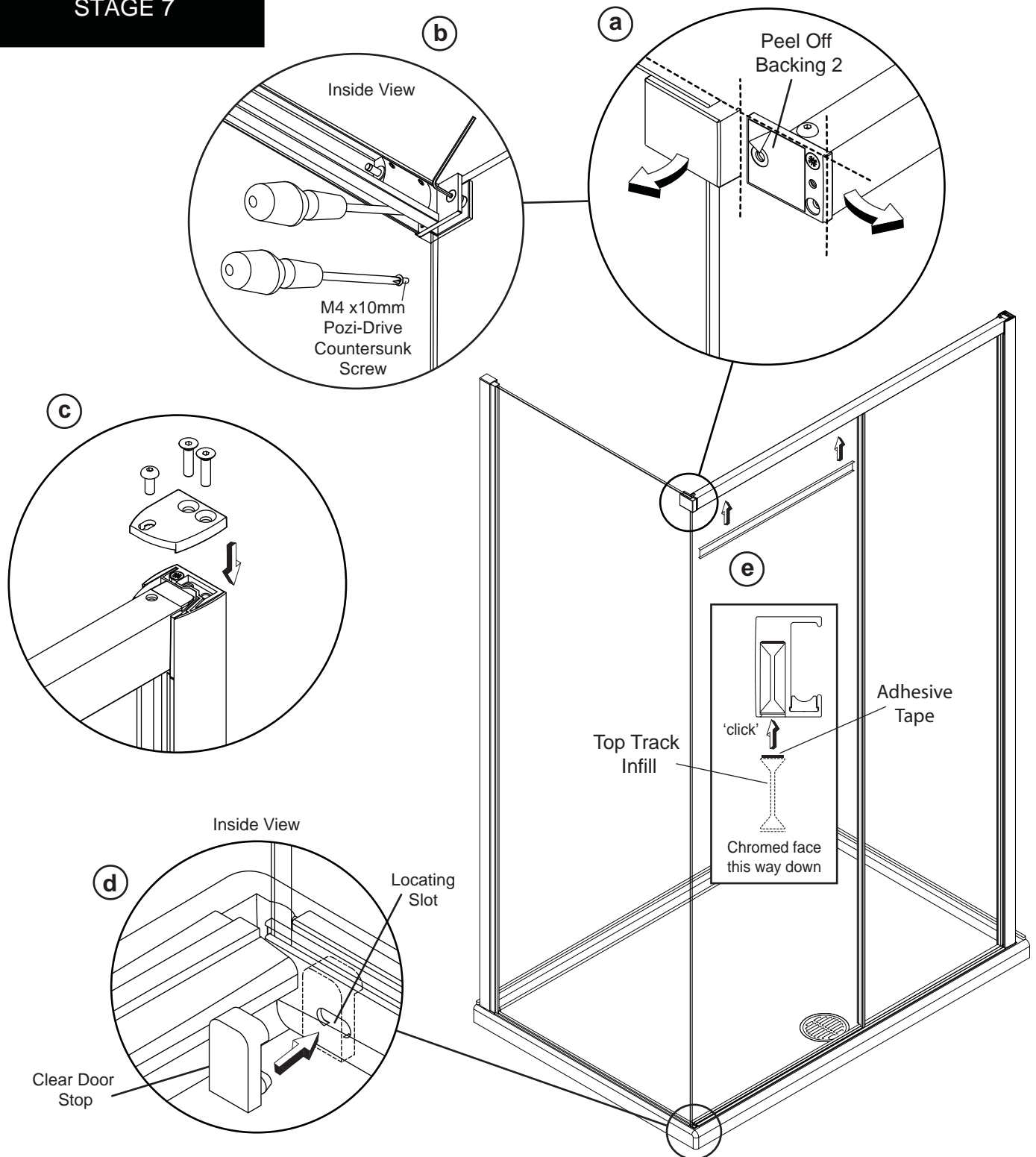
STAGE 6



This stage describes the fitting of the Top Track.

- a.** Before fitting the Top Track remove the 1x M5 x 10mm Domed screws from the respective end of the top track. This will be replaced when securing the top track and top cap later.
- b.** Disassemble Side Panel Bracket from the respective end of the top track.
- c.** Peel off the paper backing of the Bracket Face Plate and stick to the outside face of the glass, ensuring the black plastic Glass Protector is in position over the threaded boss before final positioning.
- d.** Carefully lower the whole top track assembly onto the Panel Glass and into the Top Track Cup on the wall mount. The top track will 'Click' into place over the black plastic glass protectors.

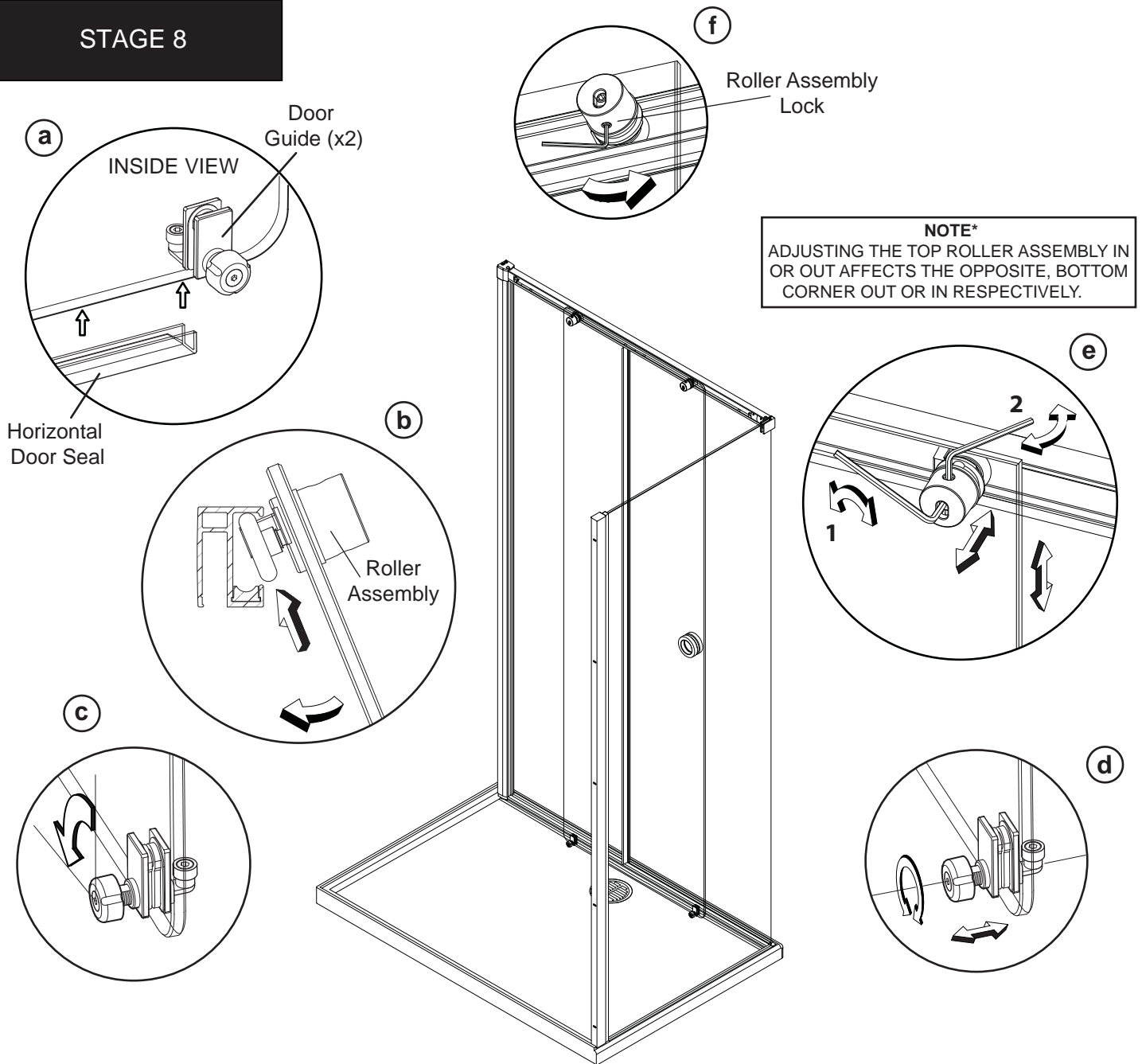
STAGE 7



This stage describes the fitting of the Top Track.

- a.** At this stage carefully peel off the paper backing of the remaining top track bracket plate by gently easing the assembly apart in this area (e.). Then re-align assembly, sticking bracket to glass - ensuring both parts of bracket align.
- b.** Secure bracket firmly together using the countersunk screw from disassembly stage (6b). Then carefully fasten the M4 x10 Pozi-Drive Countersunk Screw for the Kit of Parts to finally secure both bracket plates together - the threaded hole for this screw is recessed in the glass channel of the top track. Use a long pozi-drive screwdriver to enable this.
- c.** Replace the top cap from disassembly stage (1a) onto wall mount with the 2x M5 x 20 Countersunk Socket Head screws. Finally clamp the top track assembly and wall mounts together with the M5 x10mm Domed screw from disassembly stage (6a).
- d.** Firmly push-fit the Clear Door Stop into locating slot on the side panel track where it meets the tray.
- e.** Remove paper backing from Adhesive Tape of the Top Track Infill and push-fit into the top track assembly between the panel glass wall mount (chromed face down).

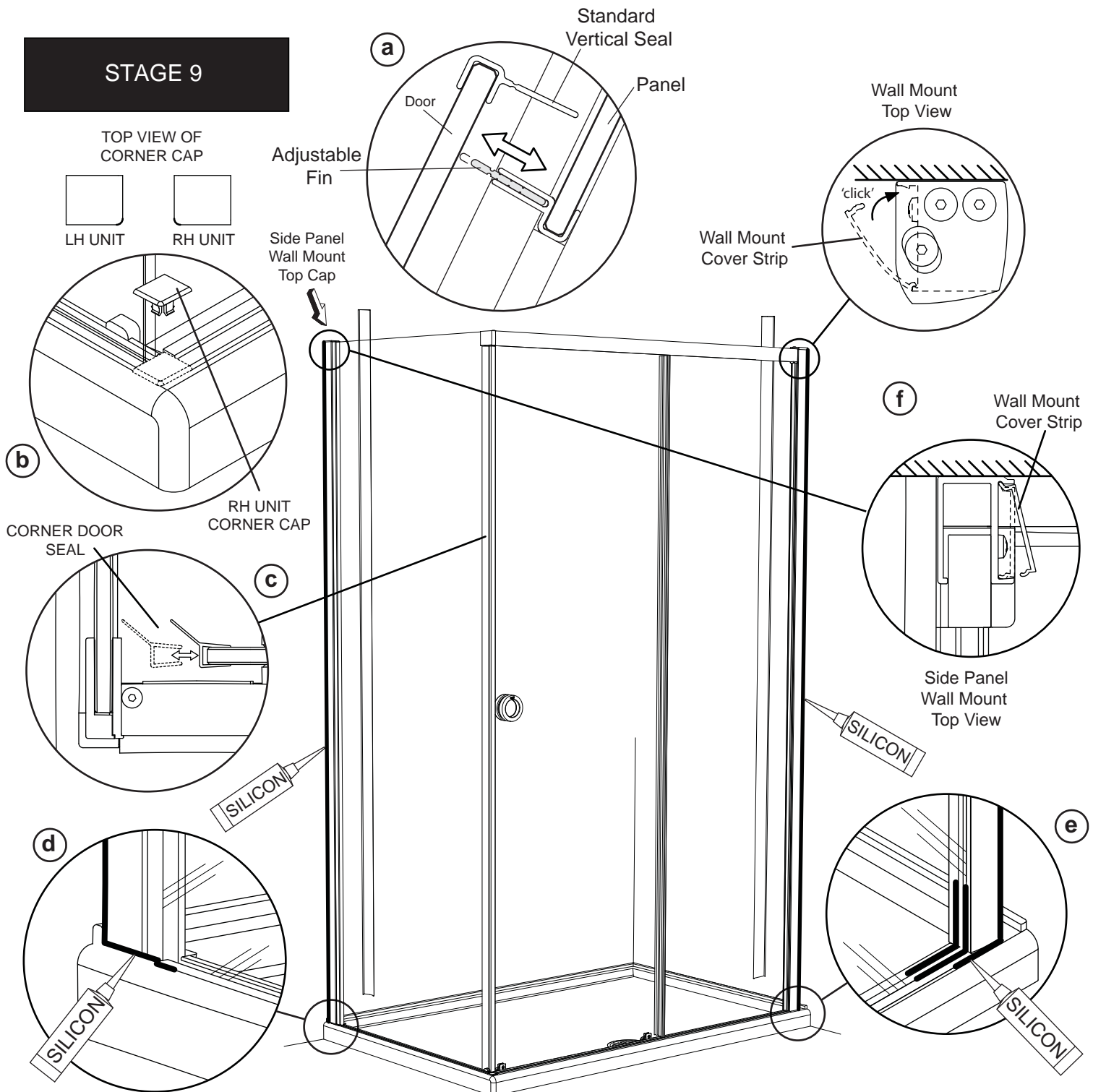
STAGE 8



This stage describes Fitting and Adjusting the Door.

- a.** Before fitting the door fit the Horizontal Door Seal to the bottom edge of the door between the door guides. The soft fin on the horizontal seal is to face outwards.
- b.** Carefully lift the door glass into the enclosure and offer the roller assembly into the top track at an angle, then lower the bottom of door towards the tray.
- c.** Rotate the door guides 1/4 turn anticlockwise from the vertical position to fit under the tray guide rail and back to vertical to engage in the tray guide rail.
- d.** The door guides can be adjusted to change the distance between the door panel and fixed panel, dis-engage both guides from the tray guide rail to adjust. Rotate the guide anticlockwise to move the door closer to the fixed glass panels. Rotate clockwise to move the door away from the glass panels. Test how the door slides along the track. The movement of the door will be arrested by either damper in the top track. Adjust the combination of the door guides and rollers to ensure a smooth running door (See Note* above & instructions below).
- e.** Adjust the door panel if required so that it runs parallel to the door opening by adjusting the roller blocks on the inside of the door. To adjust the door away from the top track rotate the central set screw **e1** clockwise using the 3mm allen key supplied. To adjust the door closer to the top track, rotate the central set screw **e1** anticlockwise. The door glass can be raised or lowered by the adjustment screw **e2** in the top of the roller block using the 2.5mm allen key supplied. Rotate clockwise to lower the door, rotate anticlockwise to raise the door.
- f.** Lock off the roller block assembly with the set screw in the underside of the roller block using the 2.5mm allen key.

STAGE 9



This stage describes adjusting the Fixed Panel Vertical seals and final Silicone Sealing of the unit.

a. Fit the Standard Vertical Seal to the back edge of Door - fit from the bottom of the door upwards ensuring the flexible seal minimally clears the top edge of the tray. The Fixed Panel Vertical Seals have an adjustable soft fin. The fin can be pulled out of the rigid carrier to accommodate variations in the clearance gap between the door and the fixed panels. Adjust the fin as close as possible to the door panel. When adjusted check that the door runs smoothly between open and closed positions.

b. Fit the correct handed, Corner Cap from the Side Panel Kit of Parts to the Side Panel corner - this should 'Click' into place in the corner.

c. Push-fit the Corner Door Seal onto the closing edge of the Door - this Seal can be adjusted off the edge of the Door to increase the flexible fin's sealing edge against the Side Panel if required.

d. Apply a thin bead of silicon sealant along the joint between the side panel wall mount & tray bracket where it meets the tray.

e. Apply a thin bead of silicon sealant along the joint between the fixed panel, wall mount & tray bracket where it meets the tray. Apply a thin bead of silicon sealant in the corners between the wall mount, fixed panel glass and the tray. Apply to both the inside and outside corners, there is a small recess in the wall mount and tray feature on both sides of the glass panel to accommodate the sealant.

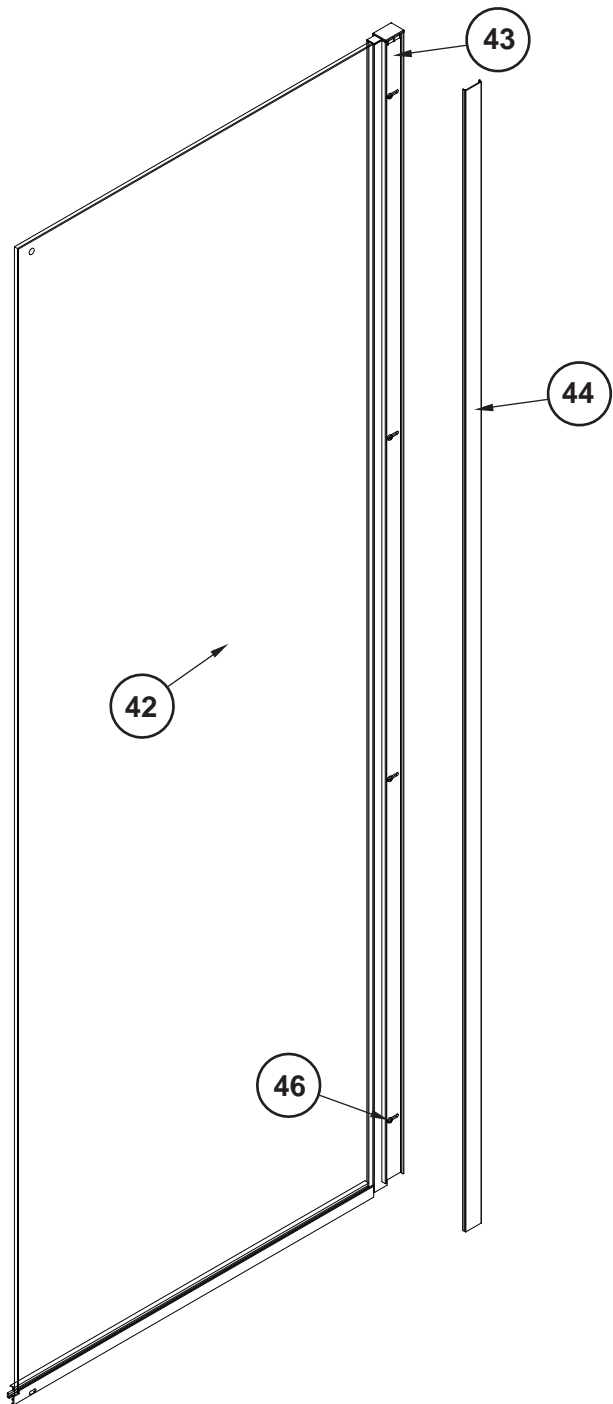
f. Fix each individual Wall Mount Covers to the respective wall mounts.

Finally fit the silver Side Panel Wall Mount Top Cap from the Kit of Parts on to the Side Panel Wall Mount.

PARTS LIST 1

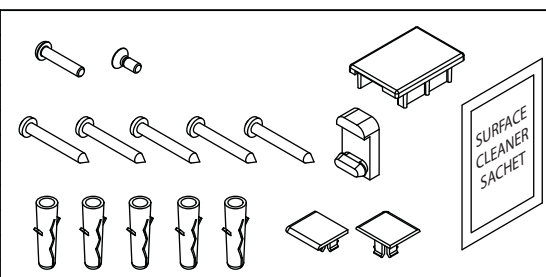
NEW RADIANCE STRAIGHT SLIDER SIDE PANEL NRXSC 1280/1290/1480/1490

*PARTS VARY DEPENDING ON MODEL.



Parts List				
ITEM	PART No.	QTY	DESCRIPTION	LENGTH
42*	8059 M CLEAR/PLAIN	1	LH 800 SIDE PANEL	
	8063 M CLEAR/PLAIN	1	RH 800 SIDE PANEL	
	8060 M CLEAR/PLAIN	1	LH 900 SIDE PANEL	
	8064 M CLEAR/PLAIN	1	RH 900 SIDE PANEL	
43	7532 A SILVER	1	LH/RH SIDE PANEL W.MOUNT	1951
44	7533 A SILVER	2	SIDE PANEL W.MOUNT COVER LH/RH	1949
45	5337 A SILVER	1	H.SECTION END CAP	
46	1420 A SILVER	4	No8x9.5mm Pan Self Tapping Screw	9.5

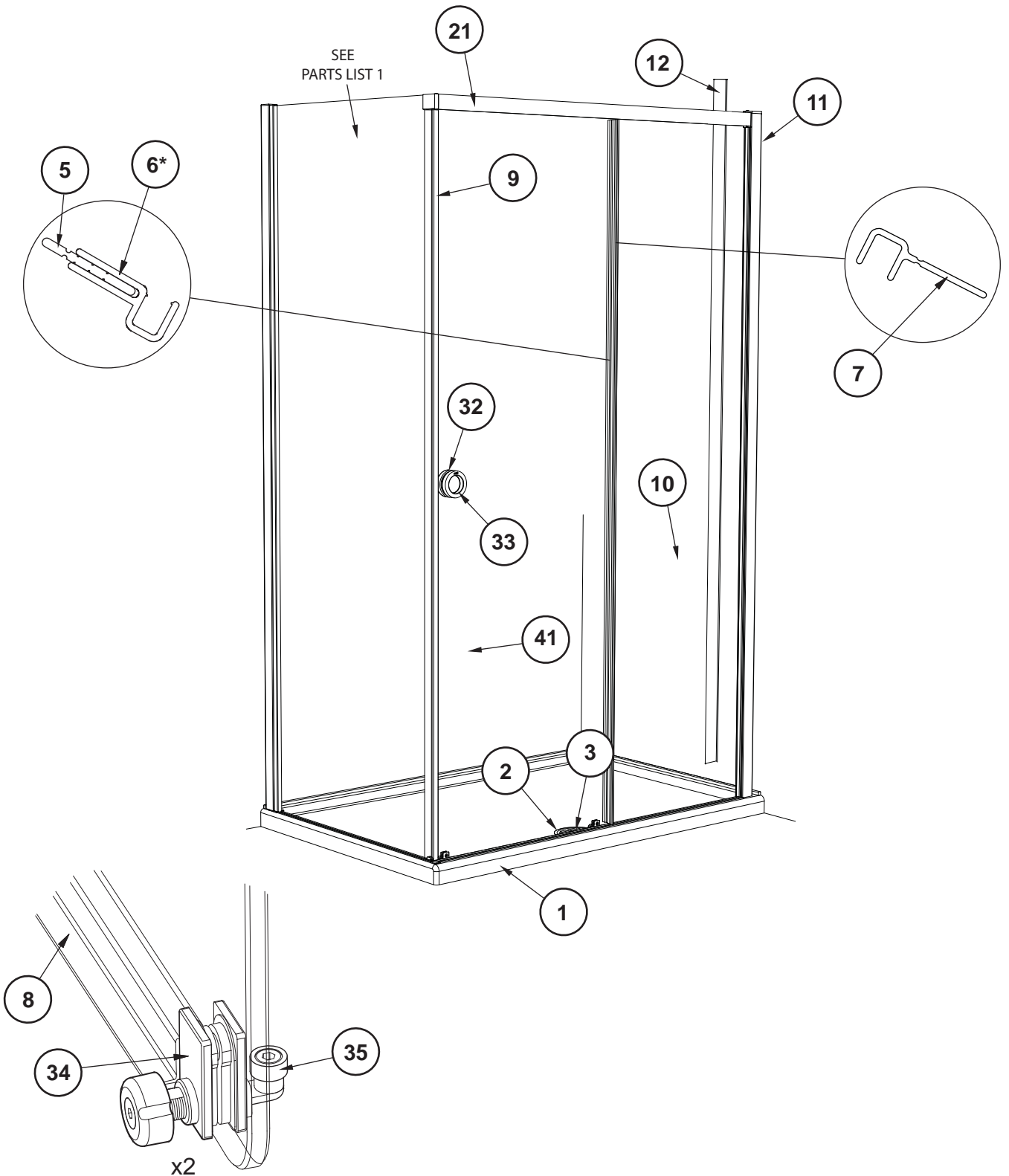
NRXSC SIDE PANEL PARTS KIT - 6172 AF				
PART No.	QTY	DESCRIPTION	LENGTH	
6216 A SILVER	1	EXT W.MOUNT CAP		
7561 CLEAR	1	125 CORNER TRAY STOP		
7560 WHITE	1	125 PUSH FIT CORNER COVER RH UNIT		
7559 WHITE	1	125 PUSH-FIT CORNER COVER LH UNIT		
1281 A SILVER	1	M4x10 Pozi-Drive CSK Screw	10mm	
1248 A SILVER	1	Hexagon Socket Button Head Screw	20mm	
1471 A SILVER	5	Pan Self Tapping Screw	32mm	
1818 AF	5	WALL PLUG		
4580 AF	1	SURFACE CLEANER SACHET		



PARTS LIST 2

NEW RADIANCE STRAIGHT SLIDER NRXSC 1280/1290/1480/1490

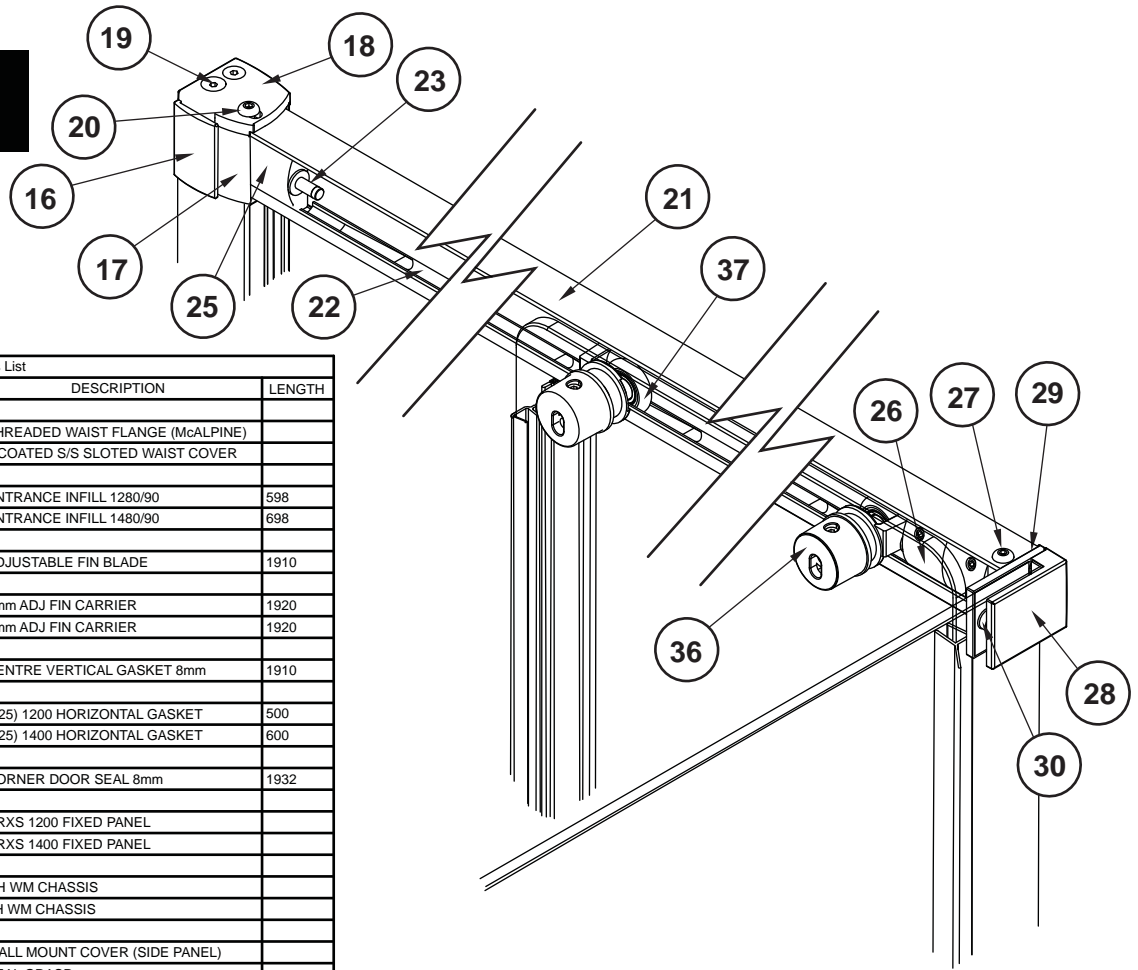
*PARTS VARY DEPENDING ON MODEL.



NRXSC PARTS KIT - 6173 AF			
PART No.	QTY	DESCRIPTION	LENGTH
5906 BLACK	2	GLASS PROTECTOR	
5263 BLACK	2	TOP GLASS CLAMP PLASTIC	
1818 AF	8	WALL PLUG	
1471 A SILVER	8	Pan Self Tapping Screw	32mm
1167 AF	1	3mm ALLEN KEY	
1363 AF	1	3/32" ALLEN KEY	

* INDICATES SPARE PARTS

PARTS LIST 3



Parts List				
ITEM	PART No.	QTY	DESCRIPTION	LENGTH
1	NRXSC 1280/1290 & 1480/1490 TRAY	1		
2	5953 A SILVER	1	THREADED WAIST FLANGE (McALPINE)	
3	7490 C WHITE	1	P.COATED S/S SLOTED WAIST COVER	
4*	7539 A SILVER	1	ENTRANCE INFILL 1280/90	598
	7540 A SILVER	1	ENTRANCE INFILL 1480/90	698
5	2320 CLEAR	1	ADJUSTABLE FIN BLADE	1910
6*	2321 CLEAR LH	1	6mm ADJ FIN CARRIER	1920
	2321 CLEAR RH	1	6mm ADJ FIN CARRIER	1920
7	6076 CLEAR	1	CENTRE VERTICAL GASKET 8mm	1910
8*	6077 CLEAR	1	(125) 1200 HORIZONTAL GASKET	500
	6078 CLEAR	1	(125) 1400 HORIZONTAL GASKET	600
9	2343 AF	1	CORNER DOOR SEAL 8mm	1932
10*	8055 M CLEAR/PLAIN	1	NRXS 1200 FIXED PANEL	
	8056 M CLEAR/PLAIN	1	NRXS 1400 FIXED PANEL	
11*	5755 A SILVER	1	RH WM CHASSIS	
	5758 A SILVER	1	LH WM CHASSIS	
12	5797 A SILVER	1	WALL MOUNT COVER (SIDE PANEL)	
13	2309 AF	1	SEAL GRASP	
14	5304 AF	1	COLUMN FASTENING BLOCK	
15	1350 A SILVER	1	No6 x 16mm CSK SELF TAPPING SCREW	16
16*	5295 A SILVER	1	RH COLUMN CAP (WALL MOUNT)	
	5296 A SILVER	1	LH COLUMN CAP (WALL MOUNT)	
17*	5909 A SILVER	1	WM CLOSURE TOP CUP	
	5910 A SILVER	1	WM CLOSURE TOP CUP	
18*	5338 A SILVER	1	TOP SECURING CAP RH	
	5336 A SILVER	1	TOP SECURING CAP LH	
19	1503 A SILVER	2	M5 x 20 CSK SKT SCREW	20
20	1247 A SILVER	1	M5 x 10 SKT BUTTON HEAD	10
21*	7534 A SILVER	1	CORNER TOP TRACK (1200)	1112
	7535 A SILVER	1	CORNER TOP TRACK (1400)	1312
22*	7550 BLACK	2	1200 TOP TRACK GUIDE RAIL	
	7551 BLACK	2	1400 TOP TRACK GUIDE RAIL	
23	1339 AF	2	WHITE DAMPER	
24	5904 AF	2	DAMPER END STOP	
25*	7554 A SILVER	1	LH DAMPER HOUSING	
	7555 A SILVER	1	RH DAMPER HOUSING	
26	7558 A SILVER	1	UNHANDED DAMPER HOUSING	
27	1357 A SILVER	1	M5 x 30 SKT DOMED	30
28	5327 A SILVER	1	CORNER PANEL BRKT EXTERNAL PLATE	
29	5328 A SILVER	1	CORNER PANEL BRKT INTERNAL PLATE	
30	5348 BLACK	1	SIDE PANEL HOLE SLEEVE	
31*	2335 AF	1	1200 TOP TRACK INFILL	598
	2336 AF	1	1400 TOP TRACK INFILL	698
32	5235 A SILVER	1	ROUND HANDLE MALE	
33	5234 A SILVER	1	ROUND HANDLE FEMALE	
34	DOOR GUIDE	2	SUB ASSEMBLY PART	
35	5905 AF	2	PTFE GUIDE ARM BARREL	
36	5303 A SILVER	2	DOOR GLASS ADJUSTER BACK PLATE	
37	1860 AF	2	ROLLER BEARING	
38	5279 AF	2	BEARING LOCK	
39	5960 A SILVER	1	125 RH ROLLER FACE	
40	5959 A SILVER	1	125 LH ROLLER FACE	
41*	8057 M CLEAR/PLAIN	1	1200 LH DOOR GLASS	
	8061 M CLEAR/PLAIN	1	1200 RH DOOR GLASS	
	8058 M CLEAR/PLAIN	1	1400 LH DOOR GLASS	
	8062 M CLEAR/PLAIN	1	1400 RH DOOR GLASS	

MAINTENANCE

Matki Glass Guard Easy Clean Surface Protection and General Cleaning Guide

Cleaning Instructions

Matki Glass Guard allows water to form minute beads which easily trickle off the surface of the glass. This makes the glass easier to clean - the glass does not need to be cleaned as frequently, but it does require occasional maintenance. As less cleaning is required the use of detergents can be minimised thus helping to protect the environment. The lifespan of the Matki Glass Guard is dependant on the frequency of use of the shower and the degree of water hardness.

The combination of alkaline materials and humidity affects glass in an extremely aggressive way. Do not use bleach, alkaline, acid-based or aggressive and abrasive glass cleaners, detergents or household cleaning products on the glass or frames.

We recommend that glass is washed down with clean water and a soft clean cloth or sponge and dried off with a microfibre cloth.

The special coating is only present on the inside of the glass.

Matki Glass Guard is guaranteed for 2 years provided that the guidelines and cleaning instructions are followed.

Aluminium and Chrome parts should be cleaned with a mild non scratch household cleaner and a soft cloth or sponge.

Do not use acidic-based de-scaler products or products which are unsuitable for cleaning enamelled surfaces, including abrasive cleaners or cleaners containing bleach or solvents, as the products will effect the anodised framework. Under no circumstances use cleaners with a pH level exceeding 8.

Matki does not recommend the use of 'Leave-on' shower cleaners on Matki Glass Guard Products.

Water Softeners and Glass Guard - Certain types of water softeners increase the alkalinity of the water due to a carry-over of Chloride during re-generation which can cause aggressive water spots on both untreated and Glass Guarded glass. If using a water softener we recommend a two-cylinder machine with automatic re-generation instead of a timer.

If a single-cylinder water softener with timer is already installed it is recommended that after each shower excess water is removed from the glass with a squeegee or with a micro-fibre cloth.



Wash down with clean warm water and a soft clean cloth or sponge.



Do not use bleach, alkaline or acid-based, aggressive or abrasive cleaning products.

Flash Bathroom Spray or Cif Bathroom Spray can be used on Matki Products.

Various specialist cleaning and glass dressing products are available from Ritec International Ltd Tel. 020 8344 8210 or www.ritec.co.uk.

Matki Plc is not connected with Ritec International Ltd in any way and the contact details are supplied for information only. Read manufacturers label before using any cleaning materials.

IMPORTANT

Matki Glass Guard is guaranteed for 2 years. It is essential that the cleaning instructions are followed in order to maintain the hydrophobic properties of the glass coating. In the event of the failure to comply in any way with these instructions, any warranty or guarantee will be null and void.

MATKI PLC, CHURCHWARD ROAD, YATE, BRISTOL, BS37 5PL
TELEPHONE:01454 328816 (AFTER SALES) FAX:01454 328821 EMAIL: techsupport@matki.co.uk