

MODEL WIC1200/1206 WALK-IN 1200 CORNER INSTALLATION INSTRUCTIONS

TOOLS REQUIRED

Masonry Drill bit 6mm
Electric Drill
Tape Measure
Level
Screw Drivers
Pencil
Safety Glasses

KIT OF PARTS WIC1200/1206

Part Description	QTY
Corner/Wall Jamb Cap RH	1869 A 1
Corner/Wall Jamb Cap LH	1868 A 1
Glass Clamp Front (L-Shaped brackets)	2618 A 4
Glass Clamp Back	2619 A 4
Glass Clamp Buffer (Black)	1815 4
Glazing Wedge	2167 1
M5 x 16mm Csk Socket Screws	1495 A 4
M5 x 20mm Csk Socket Screws	1497 A 4
No. 8 x 32mm Pan Head Screws	1471 4
No. 8 x 32mm Csk Head Screws	1443 3
Tape	4484 AF 1
Plastic Wall Plugs	1818 7
Alan Key 3mm and 2.5mm	1167/1168 1
Tube of Sealant	1967 1
Guarantee Card	1061 1

IMPORTANT

Before disposing of carton and/or commencing assembly, please check all the parts to ascertain that none are missing and they are all undamaged. No claim for missing/damaged parts will be accepted once the packing carton has been disposed of and/or assembly has commenced.

In case of query contact your Stockist with details of model number, finish and details of quality control slip. Due to the weight of the surround and shower tray we recommend that two people are available for assembly.

PREPARATION

Please read complete installation instructions before fitting. Ensure top of tray is level, tray should be let into wall with tiling lip face flush with wall to allow tiling to overlap tiling lip. The door assembly should be installed onto waterproof wall covering and installed after the tray and wall coverings are in place.

Carefully remove door from carton, do not place glass on hard floor or expose edges to impact. Ensure top of tray is level. Seal between tray and tiles. Remove any excess sealant from the area/joint between the tray and tiles where the wall frame will be fitted this will ensure the wall frame fits correctly to the wall and tray.

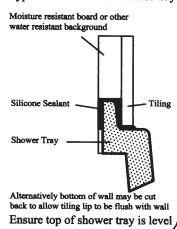
CAUTION: TEMPERED GLASS CANNOT BE CUT, POLISHED METAL AND CHROME CAN BE SCRATCHED.

HOW TO CARE FOR YOUR MATKI SURROUND

Never use scouring powder or pads or sharp instruments when cleaning the surround. Wipe the surround after use. Occasionally wipe the surround with a mild detergent diluted with water and polish with a soft cloth. If you live in a hard water area, periodically clean with a 50/50 solution of white vinegar and hot water. Soak for 5 minutes and remove any limescale residue with a household glass cleaner. This is all that is needed to keep the glass and anodised aluminium parts looking new. Do not use acidic-based descaler products or products which are unsuitable for cleaning enamelled surfaces, including abrasive cleaners or cleaners containing bleach or solvents, as the products will effect the anodised framework. Under no circumstances use cleaners with a pH level exceeding 8.

We recommend that these instructions are handed to the user with a note of date of purchase, model details and finish. To order replacements quote: Part Description, Model Number and Colour.

Typical installation of shower tray



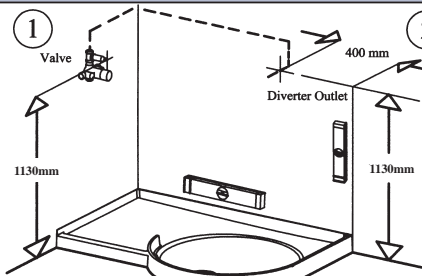
Stage 1

The Walk-in is handed the diagrams show a left-hand entrance WIC1200. Ensure the tray is level and correctly let into the wall with tiling lip face flush with wall to allow the tiling to overlap tiling lip.

Please see the separate installation instructions for the Diverter and Shower Mixer to be fitted.

The position for the centre of Diverter outlet (Or outlet Elbow, WIC1206) is measured from the bottom outside edge of the tray. Measure 400mm horizontally and using a level plumb 1130mm vertically.

To line up the Elixir shower Mixer On /Off control lever with the Diverter Control Lever (Or Elbow, WIC1206) the centre of the Elixir On /Off Control lever should be positioned 1130mm vertically from the base of the tray. Alternatively the Elixir Shower Mixer can be positioned where convenient.



Stage 2

Position the Wall Jamb on top of the tray so that the outside face of the Wall Jamb is 25mm from the outside top edge of the tray.

Plumb the Wall Jamb for upright and mark the fixing holes on the wall in the centre of the slots.

Drill the fixing holes in the wall and insert the Wall Plugs. Clean the area.

Apply Silicon Sealant to the area behind the Wall Jamb between the tray and the tiles and 100mm up the wall, central to the width of the Wall Jamb (2a).

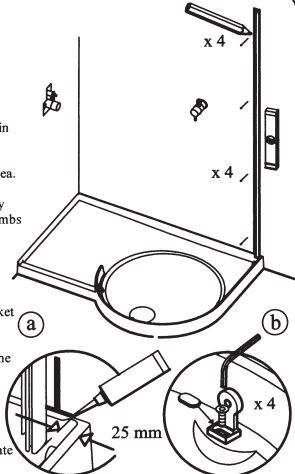
Fit the Wall Jamb with the No. 8 x 32mm Pan Head Wall Screws.

Fit the L-Shaped Glass Clamps into the tray with the M5 x 16mm Csk Socket Head Screws. Do not fully tighten to allow for left to right bracket adjustment (2b).

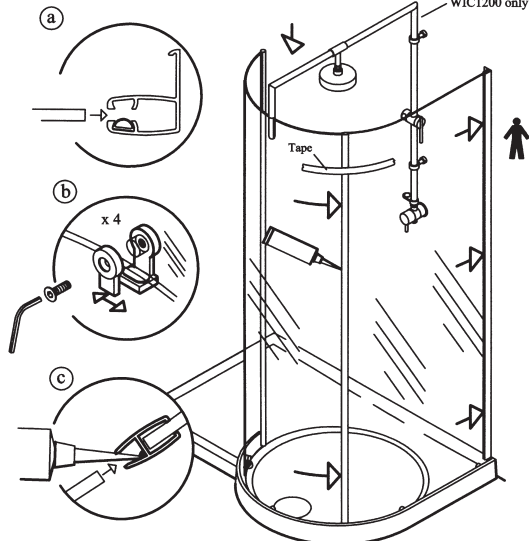
Fit the black rubber self adhesive Glass Clamp Buffers over the top of the Socket Head Screw in the slot in the L-Shaped Bracket (2b).

For Model WIC1200 fit Diverter and Shower Mixer now see separate installation instructions packed with these items.

For Model WIC1206 fit Wall Elbow and Shower Mixer now see separate installation instructions packed with these items.



3



Stage 3

We recommend two people are available for this stage.

Before fitting the Large Panel Glass into the Wall Jamb wet the exposed vertical edge of the glass panel with a sponge or cloth.

Carefully lower the Large Panel Glass down into the tray and onto the L-Shaped Brackets and push the Glass Panel into the Wall Jamb (3a). Secure the Large Panel Glass using the M5 x 20mm Csk Head Socket Screws to the L-Shaped Brackets with the Glass Clamp Backs. (3b)

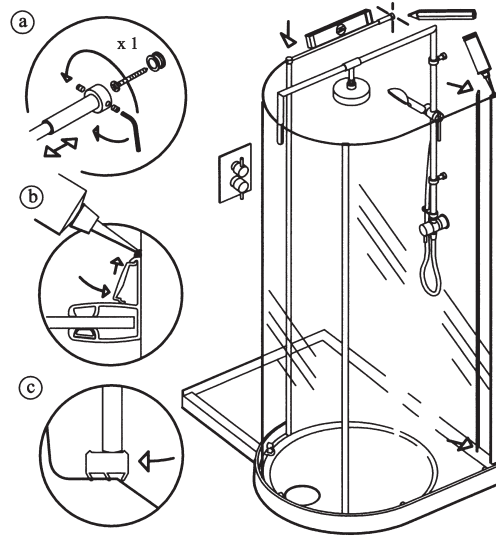
The Smaller Glass Panel needs to be secured to the Large Glass Panel with Silicon Sealant. Before fitting the Smaller Glass Panel apply a 3mm continuous bead of Silicon Sealant into the back corner of the Large Glass Panel Vertical profile. (3c)

When fitting the Smaller Glass Panel, carefully lower the glass panel down into the tray until almost level with the bottom of the vertical profile. Then slide the glass into the vertical profile and lower carefully onto the L-Shaped Brackets. Clamp the Panel to the tray with the L-Shaped Brackets and Glass Clamp Backs using the M5 x 20mm Csk Head Socket Screws (3b)

Apply a strap of tape between the two Glass Panel s at the top for 24hours while the silicon sealant is curing.

Fit Overhead Support Tube Model WIC1200 or Slide Bar and Shower Handset Model WIC1206, see separate instructions.

4



Stage 4

Carefully fit the Curved Panel Brace to the Top of the Curved panel profile, plumb for level and adjust to the wall as required. Mark the centre of the fixing hole. Drill the fixing hole, insert the wall plug. Clean the area. (4a)

Secure the Brace Wall Plate to the wall with the No 8 x 32mm Csk wall screw. Fit the Brace to the Curved Panel and secure to the Wall Plate with the M5 x 5mm Socket Set Screws. Adjust the Brace as required. (4a)

Fit the Wall Jamb Cover (4b) and the Wall Jamb Top Cap.

Apply a bead of Silicon on the inside between the Wall Jamb and the tiles. Masking tape can be used to achieve a tidy edge to the sealant. Remove the masking tape immediately and allow the silicon to cure for 24 hours before using the shower. (4b)

Remove the tape from the glass Panels after 24 hours.

For higher pressure shower systems fit the Clear Flexible Glazing Wedge between the tray and the bottom edge of the glass panels. Cut the Glazing Wedge to length between L-shaped clamps. (4c)